

UC-M150-Z

Crestron Flex Tabletop UC Video Conference System for Zoom Rooms™ Software



- *Tabletop video conferencing solution for Zoom Rooms™ software*
- *Present, call, conference, and collaborate with the Crestron Mercury® UC Conference Console*
- *Easy to specify and install — no custom design, programming, or software installation required*
- *Network management and provisioning, system alerts, and the pairing of a Crestron Mercury device to the UC-M150-Z system's UC Engine through the Crestron XiO Cloud service*
- *Network management and provisioning and system alerts through the Crestron XiO Cloud™ service*
- *Connects and communicates securely over any enterprise or SMB network*
- *Enterprise-grade security*
- *Complete kit contains the Crestron Mercury tabletop console, Huddly IQ™ high-definition USB camera, UC Engine, and power supplies — just add a display and mount*

The Crestron Flex UC-M150-Z system provides a complete video conference room solution for use with the Zoom Rooms intelligent communications platform. It supports single or dual video displays, and features the Crestron Mercury® Tabletop UC Audio Conference Console, UC Engine Assembly with UC-ENGINE-Z, and Huddly IQ™ camera.

Native Zoom Rooms™ Software Experience

The UC-M150-Z system features Zoom Rooms conferencing software that enables audio and video connectivity for easy collaboration and content sharing.

Crestron Mercury® UC Conference Console

The Crestron Mercury UC Conference Console (CCS-UC-1) is an advanced speakerphone that facilitates conversations with exceptional audio fidelity and pickup using the console's integrated 360° quad microphone array. Its high-powered, full-range speaker produces high quality audio for both voice and program material. Limes Audio TrueVoice® AEC technology achieves transparent full-duplex performance free of distracting echo or noise, and wideband audio codec support allows for full-spectrum, bidirectional voice communication.

Its extra-large, high-definition touch screen makes the Crestron Mercury system easy to use, whether starting or joining an online meeting or presenting and sharing content. Occupancy detection using a patent-pending combination of motion and voice activity provides several benefits, such as monitoring and reporting room usage to the Crestron Fusion® monitoring and scheduling software, or automating the system to power down to save energy when all parties leave the room.

For more information, refer to the [CCS-UC-1](#) product page.

UC Engine Assembly

All the capabilities of a complete Zoom Rooms video conferencing and content sharing solution are empowered by the UC Engine. For ultimate performance, Crestron employs a powerful Intel® NUC Mini PC running Zoom Rooms software. The UC Engine Assembly (UC-BRKT-100-Z-ASSY) streamlines the installation of a Crestron UC system by assembling the UC-ENGINE-Z, HD-CONV-USB-200, and UC-CONN-HD together on one convenient and ready-to-mount bracket.

The complete assembly can be mounted on the wall, or it can be attached to the rear of the display device. Attachment to the display is accomplished using two of the four bolts that also affix the display to a VESA® compliant display mount. The assembly bracket includes mounting holes on its left and right side edges, spaced at 100 mm (3.94 in.), 200 mm (7.87 in.), and 300 mm (11.81 in.) vertically, to allow for attachment to either side of the display mounting plate on the rear of the display device.

For more information, refer to the [UC-BRKT-100-Z-ASSY](#) product page.

UC-M150-Z

Crestron Flex Tabletop UC Video Conference System for Zoom Rooms™ Software

Huddly IQ™ Camera

The included Huddly IQ camera features an ultra wide-angle 150° diagonal field of view to capture an entire conference room in Full HD 1080p video resolution. High precision aspherical optics, 12 MP CMOS sensor, and advanced video processing ensure a clear video image free from light or noise artifacts. Genius Framing digital autozoom intelligently detects the people in the room and frames them for an optimal view. With Genius Framing, there's no need to control the camera manually or rely on stored presets.

Network Management and Security

Crestron Flex is an enterprise grade solution, engineered to integrate seamlessly into any Zoom Rooms software deployment. Crestron Flex is ideally equipped for mass deployment throughout any sized corporate, university, medical, military, or government facility.

IoT cloud based provisioning enables complete network configuration in advance of hardware delivery, with touchless updates following installation via Windows® Update. Crestron Fusion® or Crestron XiO Cloud management enables monitoring and logging of room and equipment usage, as well as centralized help desk support. Advanced security features ensure privacy, reliability, and compliance with your organization's IT policies.

Crestron XiO Cloud™ Provisioning and Management Service

The UC-M150-Z is compatible with the Crestron XiO Cloud™ service, which is an IoT (Internet of Things) based platform for remotely provisioning, monitoring, and managing Crestron devices across an enterprise or an entire client base. The service enables installers and IT managers to deploy and manage thousands of devices in the amount of time it previously took to manage just one. As part of the UC-M150-Z system, the Crestron XiO Cloud service allows for network management and provisioning and system alerts. System updates are controlled by Windows Update. For more information, visit www.crestron.com/xiocloud.

Specifications

Included Components

CCS-UC-1	Crestron Mercury Tabletop UC Audio Conference Console; Cable, CAT5e, RJ-45 Male - RJ-45 Male, 12 ft (3.66 m); Cable, USB 2.0, A - Micro B, 6 ft (1.83 m); Retention Plate, Cable Tie Wrap
UC-BRKT-100-Z-ASSY	UC Engine Assembly, comprised of: UC-ENGINE-Z: UC Engine for Zoom Rooms video; HD-CONV-USB-200: HDMI to USB 3.0 converter for content ingest; UC-CONN-HD: EDID emulator for UC Engine display output; CBL-MDP-HD-0.5: Mini DisplayPort™ to HDMI converter; Mounting Bracket
CCS-CAM-USB-F-400	Huddly IQ camera
CBL-CAT5E-7	(2) Ethernet LAN cables for UC Engine, RJ45-to-RJ45, black, 7 ft (2.1 m)
PW-2420RU	Universal power pack ¹
CBL-USBC-HD-9	USB-C® to HDMI converter cable, USB Type-C male to HDMI Type A male, 9 ft (2.7 m)
CBL-HD-20	HDMI cable for content source, Type A male-to-male, 20 ft (6.1 m)
CBL-HD-THIN-HS-6	Thin HDMI cable for connecting display device, Type A male-to-male, 6 ft (1.8 m)
CBL-USB-A-EXT-15	USB extension cable for audio conference console, Type A male-to-female, 15 ft (4.57 m)
CCS-UCA-MEM-USB	Zoom Rooms USB Stick

Audio Conference Console

Touch Screen	7 in. (178 mm) diagonal capacitive multi-touch TFT active matrix color LCD, 1280 x 800 pixels
UI	Zoom Rooms UI

UC-M150-Z

Crestron Flex Tabletop UC Video Conference System for Zoom Rooms™ Software

Mic Mute Symbol & Light Bar	(2) Capacitive buttons with bi-color LEDs, either button toggles between mute and unmute, the symbol LED flashes green when the unit is powering up, all LEDs illuminate red when the mic is muted, all LEDs illuminate green when the mic is unmuted during an active call or online meeting
AEC	Limes Audio TrueVoice acoustic echo cancellation, automatic mic mixing, automatic gain control, and dynamic noise reduction; full-duplex IEEE 1329 Type 1 compliant
Speaker	Full range speaker, 11 W amplifier power, 95 dB SPL at 0.5 m maximum output, 90 Hz to 22 kHz frequency response
Microphones	360° quad mic array, 20 ft (6 m) typical pickup range
Extension Microphones	Supports two mic pods, model CCS-UCA-MIC KIT (sold separately)
Occupancy Sensor	Patent-pending Persistent Occupancy Awareness combining passive infrared motion and voice activity detection, 6 ft (1.83 m) PIR range in front of touch screen, activates touch screen and reports room occupancy to Crestron Fusion monitoring and scheduling software
Ethernet	10/100 Mbps; enterprise grade security and management including IEEE 802.1X, Active Directory® authentication, LDAP, Kerberos, SSL, TLS, SSH, SFTP (SSH File Transfer Protocol), SRTP, digest access authentication, password login, HTTPS secure provisioning, Crestron XiO Cloud client, IEEE 802.3at Type 2 compliant
USB	USB 2.0 micro Type B device port; supports UAC for audio interface to UC Engine (included)
Power Options	PoE+: IEEE 802.3at Type 2, Class 4 (25.5 W) PoE+ Powered Device ¹ ; 24 VDC: 24 VDC via external 100-240 VAC, 50/60 Hz power pack, model PW-2420RU (included)
Dimensions	Height: 4.11 in. (105 mm) Width: 8.92 in. (227 mm) Depth: 12.74 in. (324 mm)
Weight	5.5 lb (2.5 kg)

Refer to the CCS-UC-1 specifications for additional information.

Camera

Model	Huddly IQ
Field of View	150° diagonal, 120° horizontal, 90° vertical
Connectivity	Plug-and-play USB 3.1
Resolution/FPS	HD 1080p @ 30 fps
HD Digital Zoom	3x lossless digital zoom, pan, and tilt ²
Dimensions	Height: 1.30 in. (33 mm) Width: 1.58 in. (40 mm) Depth: 2.82 in. (72 mm)
Weight	4.1 oz (115 g)

Refer to the CCS-CAM-USB-F-400 specifications for additional information.

UC Engine Assembly

Mini PC	Intel NUC Kit NUC6i7KYK
Processor	6th generation Intel Core® i7-6770HQ processor with Intel Iris® Pro Graphics 580, 8 GB RAM, 256 GB SSD, Intel I219-LM 10/100/1000 Mbps Ethernet, Windows® 10 IOT Edition OS
UC Client	Zoom Rooms Software
Management Client	Crestron XiO Cloud Service
USB	USB 3.0 host supporting USB HID, UAC, and UVC for audio conference soundbar bar, camera, content ingest, and keyboard/mouse devices
Content Ingest	HDMI input via HDMI to USB 3.0 converter (model HD-CONV-USB-200, included)
Display Output	Single or dual display support, native Mini DisplayPort™ (primary) and USB Type-C® (secondary) outputs, HDMI outputs enabled via converter cables (included)
Camera Input Resolution	HD 1080p @ 30 fps
Content Input Resolution	HD 1080p @ 60 fps
Display Output Resolution	HD 1080p @ 60 fps
Power	19 VDC via external 100-240 VAC, 50/60 Hz adapter (included)

UC-M150-Z

Crestron Flex Tabletop UC Video Conference System for Zoom Rooms™ Software

Construction	Metal mounting bracket, black, preassembled with UC Engine and USB to HDMI converter
Mounting	Surface wall mount behind the display device, or attach to the rear of the display device via the bolts attaching the display to a VESA® compliant display mount; the Crestron bracket includes mounting holes on both side edges, spaced 100, 200, and 300 mm vertically, to allow for attachment to either side of the display mounting plate
Dimensions	Height: 16.00 in. (407 mm) Width: 14.00 in. (356 mm) Depth: 1.62 in. (41 mm)

Refer to the UC-ENGINE-Z, HD-CONV-USB-200, and UC-BRKT-100-Z-ASSY spec sheets for additional specifications and compliances.

Model

UC-M150-Z

Available Accessories

CCS-UCA-SMK

Swivel Mount Kit

CCS-UCA-MIC KIT

Microphone Pods, set of 2

CEN-SWPOE-16

16-Port Managed PoE Switch

SW-FUSION-C-3

Crestron Fusion Cloud; 250 rooms; 3-year service, support, and updates

SW-FUSION-P-L

Crestron Fusion On-premises; Unlimited rooms; lifetime service, support, and updates

SW-XIOC-S-1

Crestron XiO Cloud Standard Provisioning and Management Service for one device, 1 year subscription

SW-XIOC-P-1

Crestron XiO Cloud Premium Provisioning and Management Service for one device, 1 year subscription

Notes:

1. When used without any microphone pods connected, the Crestron Mercury console may be powered using either PoE+ or the included power pack (model [PW-2420RU](#)). If one or two mic pods are connected, the console **MUST** be powered using the power pack. PoE+ cannot be used to power the console if any mic pods are connected. When using PoE+, make sure the network switch supports PoE+ (802.3at Type 2). Regular PoE (802.3af or 802.3at Type 1) cannot be used to power the console. Be advised, the UC Engine component can only be powered using its included AC power adapter. The UC Engine cannot be powered via PoE or PoE+.
2. This feature is not utilized as part of a Crestron Flex system.

This product may be purchased from select authorized Crestron dealers and distributors. To find a dealer or distributor, please contact the Crestron sales representative for your area. A list of sales representatives is available online at www.crestron.com/How-To-Buy/Find-a-Representative or by calling 855-263-8754.

This product is covered under the Crestron standard limited warranty. Refer to www.crestron.com/warranty for full details.

The specific patents that cover Crestron products are listed online at patents.crestron.com.

Certain Crestron products contain open source software. For specific information, please visit www.crestron.com/opensource.

Crestron, the Crestron logo, Crestron Mercury, Crestron Fusion, and Crestron XiO Cloud are either trademarks or registered trademarks of Crestron Electronics, Inc. in the United States and/or other countries. TrueVoice is either a trademark or registered trademark of Google Inc. in the United States and/or other countries. HDMI is either a trademark or registered trademark of HDMI Licensing LLC in the United States and/or other countries. Huddly IQ is either a trademark or registered trademark of Huddly AS in the United States and/or other countries. Windows and Active Directory are either trademarks or registered trademarks of Microsoft Corporation in the United States and/or other countries. Intel, Intel Iris, and Intel Core are either trademarks or registered trademarks of Intel Corporation in the United States or other countries. USB Type-C and USB-C are either trademarks or registered trademarks of USB Implementers Forum, Inc. in the United States and/or other countries. DisplayPort and VESA are either trademarks or registered trademarks of Video Electronics Standards Association in the United States and/or other countries. Zoom Rooms is either a trademark or registered trademark of Zoom Video Communications, Inc. in the United States and/or other countries. Other trademarks, registered trademarks, and trade names may be used in this document to refer to either the entities claiming the marks and names or their products. Crestron disclaims any proprietary interest in the marks and names of others. Crestron is not responsible for errors in typography or photography.

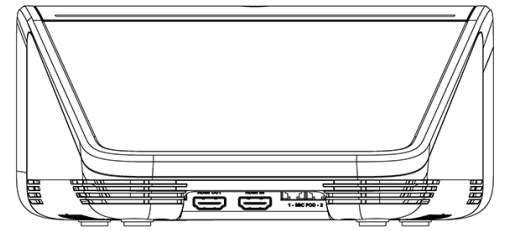
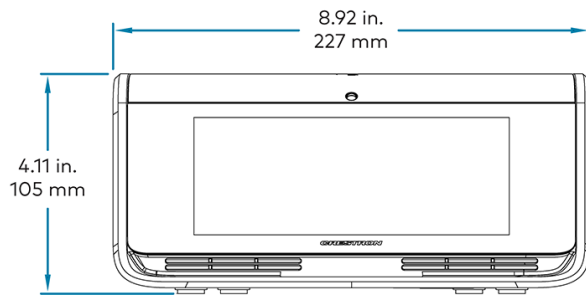
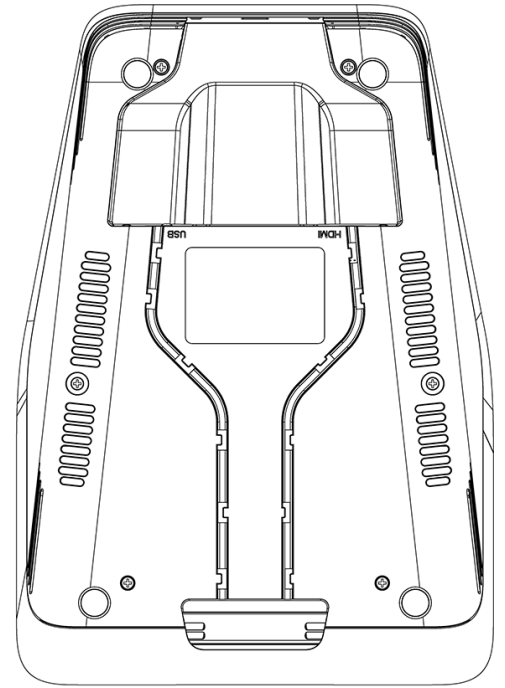
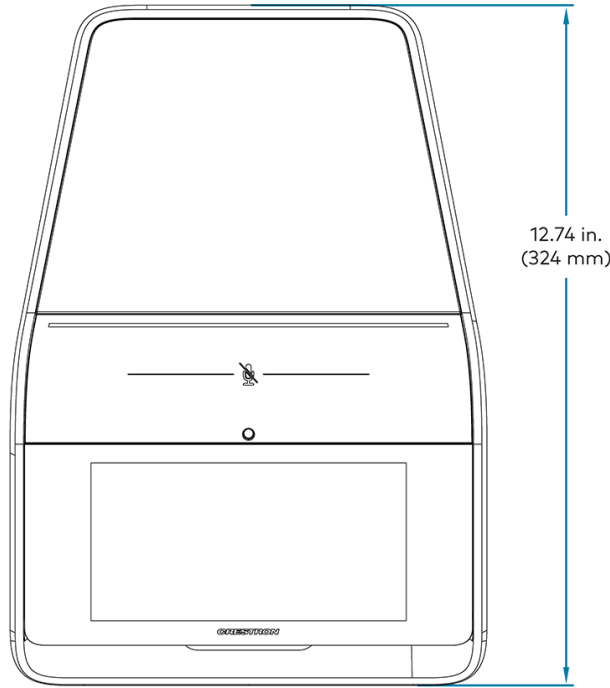
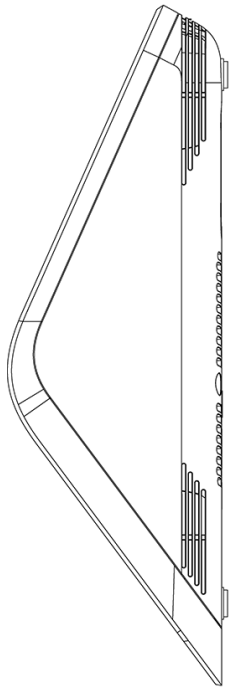
Specifications are subject to change without notice.

©2020 Crestron Electronics, Inc.

Rev 04/07/20

UC-M150-Z

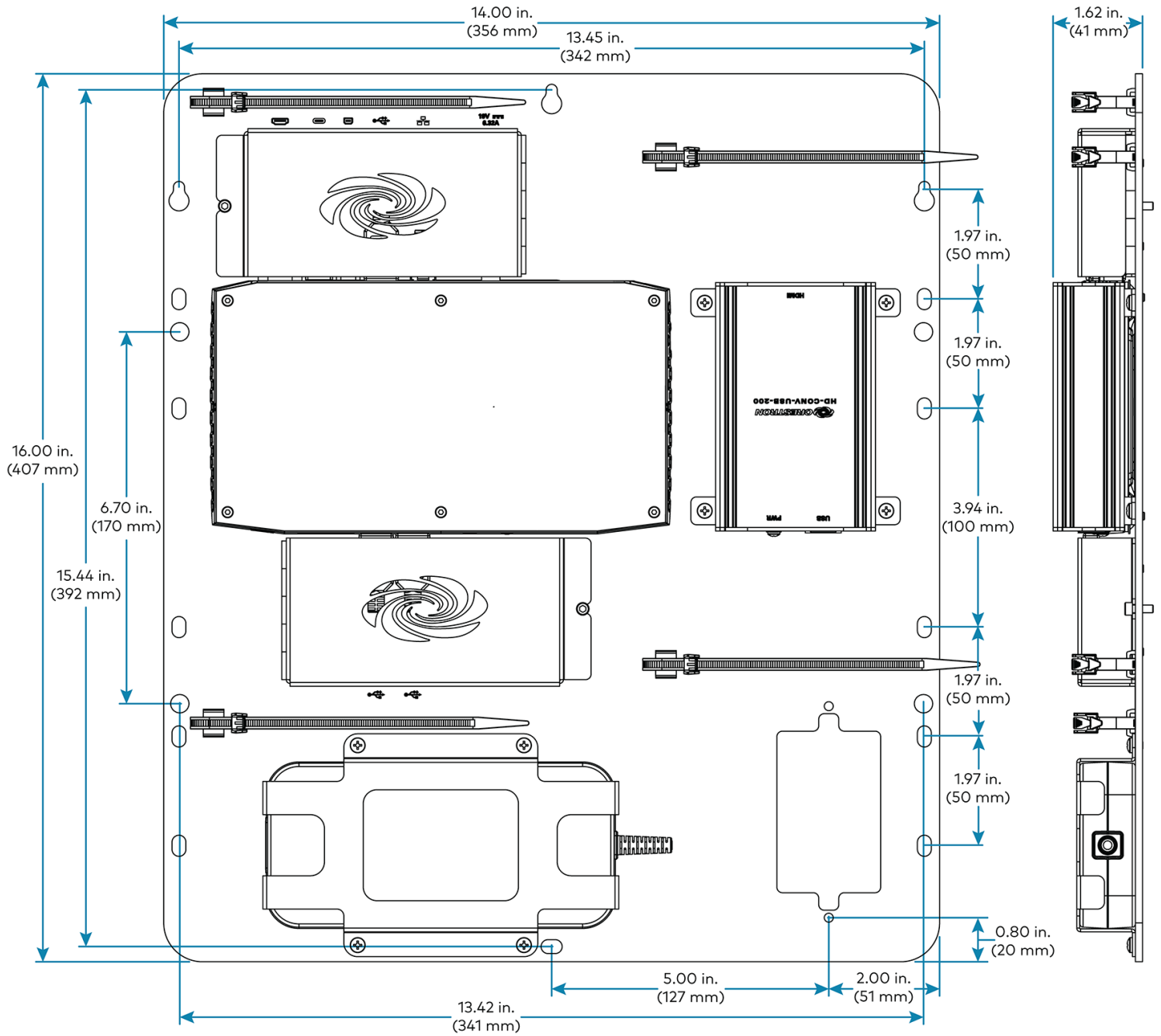
Crestron Flex Tabletop UC Video Conference System for Zoom Rooms™ Software



CCS-UC-1

UC-M150-Z

Crestron Flex Tabletop UC Video Conference System for Zoom Rooms™ Software



UC-BRKT-100-Z-ASSY