

Multisurface Mount Kits for TSW-70 Series

The Crestron® [TSW-770-MSMK](#) and [TSW-1070-MSMK](#) are multisurface mount kits that provide a versatile flush mount solution for Crestron TSW-70 series touch screens. Using multisurface mount kits, the touch screen may be mounted directly onto glass, granite, marble, plaster, smooth stone and masonry, or other flat surfaces.



In the Box

- 1 TSW-770-MSMK or TSW-1070-MSMK, Multisurface Mount Kit

Additional Items

- 2 Coupler (2049574)
- 1 Fitting, Inside Corner (2049571)
- 1 Fitting, Outside Corner (2049572)
- 2 Fitting, Right Angle (2049573)
- 3 Raceway, 3 ft (2049567)
- 4 Screw, 4-40 x 5/8 in., Phillips (2007183)

TSW-770-MSMK Only

- 1 Template, Mounting Housing (4530856)
- 1 Template, Mounting Cap (4530137)

TSW-1070-MSMK Only

- 1 Template, Mounting Housing (4530855)
- 1 Template, Mounting Cap (4530128)

TSW-770-MSMK-B Only

- 1 Bracket, Black (4530811)
- 1 Cover, Black (2054400)
- 1 Cap, Black (4530796)

TSW-770-MSMK-W Only

- 1 Bracket, White (4530810)
- 1 Cover, White (2054254)
- 1 Cap, White (4530662)

TSW-1070-MSMK-B Only

- 1 Bracket, Black (4530813)
- 1 Cover, Black (2054397)
- 1 Cap, Black (4530795)

TSW-1070-MSMK-W Only

- 1 Bracket, White (4530812)
- 1 Cover, White (2054251)
- 1 Cap, White (4530661)

Multisurface Mount Kits for TSW-70 Series



Install the MSMK

Use the following procedures to mount the MSMK onto a flat pane of glass or a similar smooth surface (such as granite, marble, plaster, or smooth stone and masonry). The adhesive on the MSMK mounting bracket attaches permanently to the surface.

The following is required for this installation: a level, masking tape, a Phillips screwdriver, and isopropyl alcohol (minimum 70%).

CAUTION: Observe the following points to ensure the MSMK properly bonds to the mounting surface. Failure to properly bond the MSMK to the mounting surface could cause the MSMK to detach after installation.

- Use isopropyl alcohol (minimum 70%) to clean the mounting surface. Other surface cleaning products can leave a film that will prevent the adhesive from properly bonding to the mounting surface.
- Use a new, clean nonlinting cloth to apply the isopropyl alcohol. The cloth should not have been used with any other cleaning product to ensure that it does not leave a film on the mounting surface.
- Allow the isopropyl alcohol to air dry on the mounting surface for at least one minute before applying adhesive. Do not dry the surface with a cloth prior to applying adhesive.
- Do not apply adhesive to the mounting surface in temperatures below 65°F (19°C).

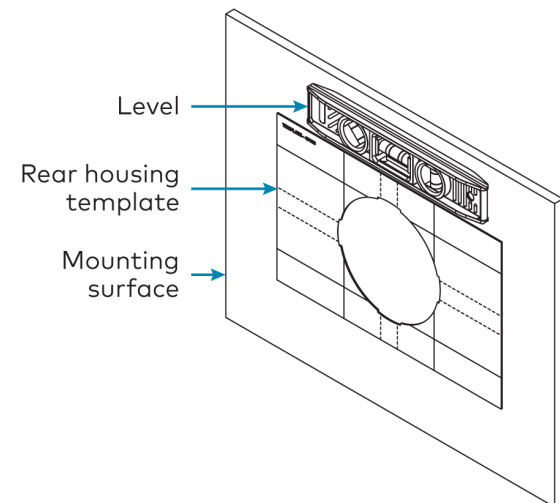
NOTE: The TSW-770-MSMK and TSW-1070-MSMK are functionally similar. For simplicity within this section, the term "MSMK" is used to refer to both models except where noted.

Position the Rear Housing Template

An overlay template for the rear housing is provided with the MSMK to help ensure that it remains level during installation.

To attach the rear housing template:

1. Clean and dry the mounting surface thoroughly. Refer to the caution statements at the beginning of the "Install the MSMK" section for important cleaning and drying notes.
2. Select a mounting location for the MSMK and the raceway kit, and determine whether the raceway will be entering the MSMK from the top, bottom, left, or right cutout.
3. Use a level and masking tape to attach the included rear housing template to the surface at the chosen location. Ensure that the template is level before proceeding.



Multisurface Mount Kits for TSW-70 Series

Install the Raceway Kit

The included raceway kit is designed to be installed on a nearby smooth surface to conceal cables running to the touch screen from the floor, ceiling, or an adjacent wall, pillar, or mullion. The raceway kit contains three cable channels, two flat elbows, one inside elbow, one outside elbow, and two couplings.

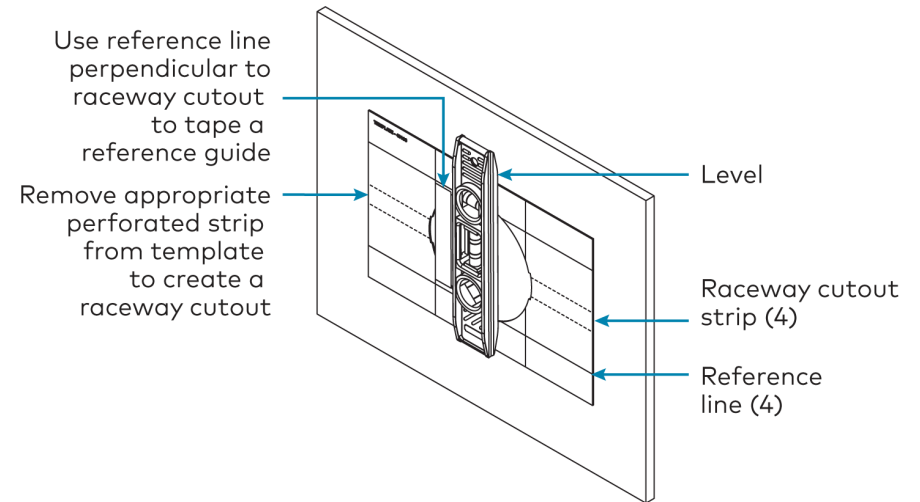
The raceway may be painted after installation to match the walls or the surrounding decor.

CAUTION: The raceway kit must be installed prior to installing the MSMK, and the location of the raceway cannot be changed once the MSMK is installed. The raceway kit cannot be installed on textured surfaces.

To install the raceway kit:

1. Create a raceway cutout by removing the appropriate perforated strip from the rear housing template.
For example, if the raceway will enter the MSMK from the left side, remove the left perforated strip from the template.

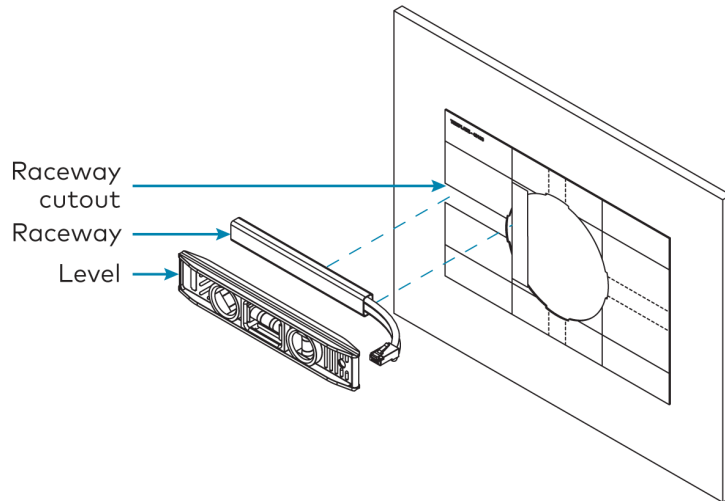
2. Use a level and the reference line on the template that is perpendicular to the chosen raceway cutout to tape a reference guide over the center cutout.



3. Use the template guides to cut the raceway to the required length. The end of the raceway that will enter the MSMK can also be cut to a specific shape for a finished appearance.
4. Route all necessary cables into the raceway. Press the sides of the raceway together to snap it shut.
5. Remove the protective liner from the rear of the raceway.

Multisurface Mount Kits for TSW-70 Series

6. Use the chosen raceway cutout in the template and the taped reference line to position the raceway on the mounting surface. Ensure the raceway is level prior to adhesion.

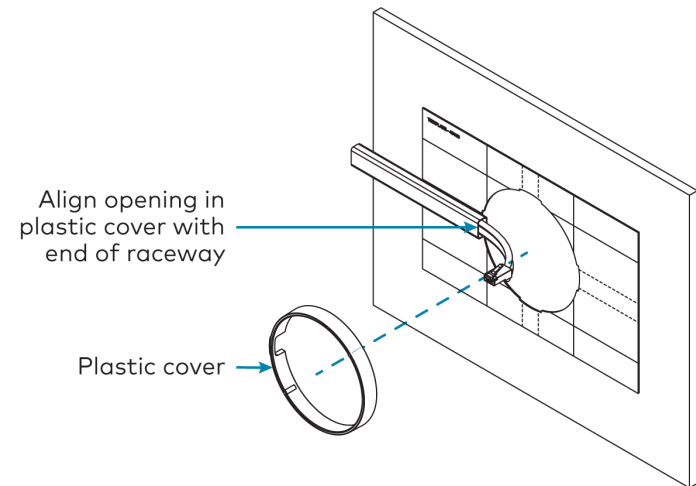


7. Press the raceway firmly against the mounting surface for at least 30 seconds to ensure the adhesive bonds to the surface.
8. Attach any elbows, couplings, and additional cable channels as necessary.
9. Remove the taped reference guide from the surface and template.

Attach the Rear Housing

To attach the MSMK rear housing to the mounting surface:

1. Place the included plastic cover into the center cutout of the rear housing template so that the end of the raceway enters the opening in the plastic cover. Ensure that the opening in the cover is facing toward the mounting surface.



2. While holding the cover in place, tape the outer ring of the cover to the template.

CAUTION: The tape must not be attached to the inner ring or the flat front surface of the plastic cover, as it cannot be removed easily once the rear housing is installed. The illustration below step 8 shows the correct application of the tape.

3. Route the cables loosely from the MSMK through the raceway opening in the plastic cover and out of the appropriate cutout (top, bottom, left, or right) of the rear housing.

Multisurface Mount Kits for TSW-70 Series

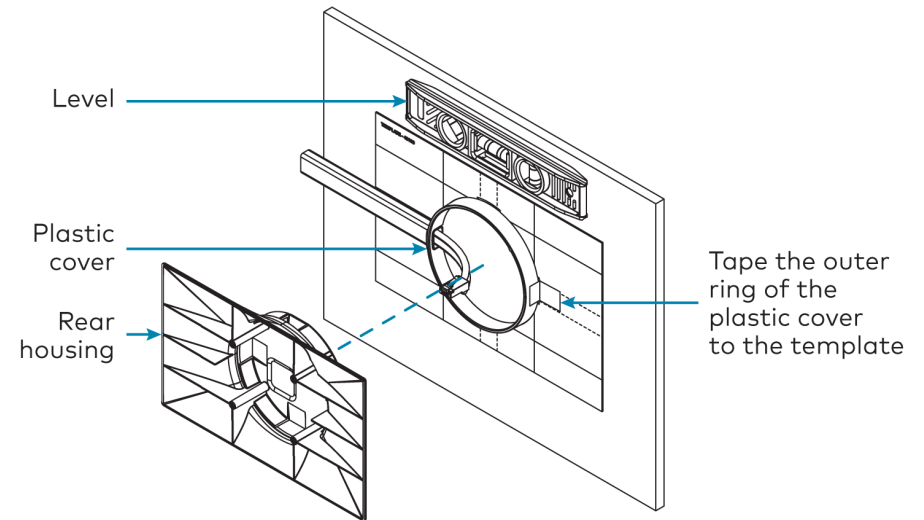
4. Remove the protective liner from the back of the rear housing.

CAUTION: The adhesive on the back of the rear housing is high-strength bond. Once the adhesive comes in contact with a surface, it cannot be removed easily.

5. Hold the rear housing at an angle so that the short, straight edge of the housing with the chosen raceway cutout mates with the end of the raceway. Do not allow the adhesive to come in contact with the surface.
6. Slide the circular base of the rear housing into the plastic cover without allowing the adhesive to come in contact with the surface. Two detents in the plastic cover help to lock the housing into the cover while providing some play for leveling.
7. Place a level on top of the rear housing.

8. After confirming that the rear housing is level, press its circular base to the mounting surface firmly for at least 30 seconds to ensure the adhesive bonds to the surface.

NOTE: All air bubbles must be smoothed out and eliminated to ensure a complete bond to the surface.



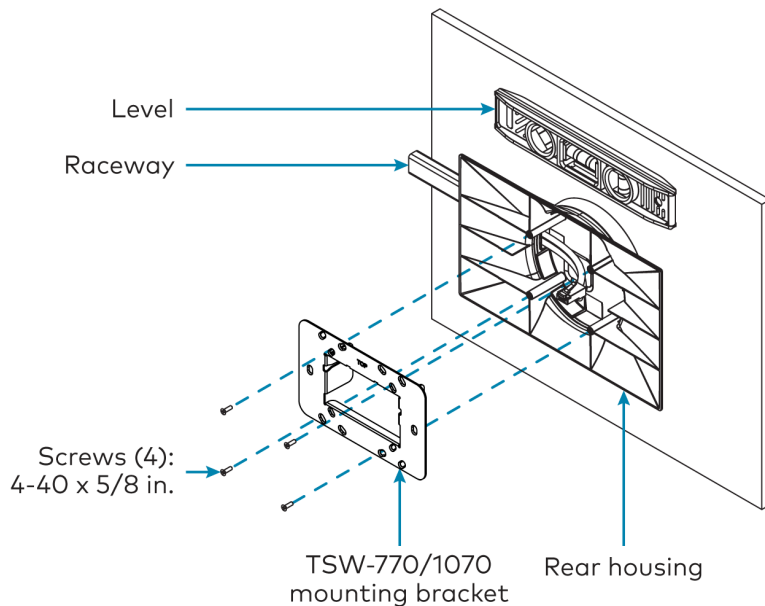
CAUTION: Allow a minimum of one hour (or up to 24 hours for maximum hold) for the adhesive to cure to the bracket and surface before installing the touch screen. Failure to properly cure the bracket to the mounting surface could cause the MSMK to detach after installation.

Multisurface Mount Kits for TSW-70 Series

Attach the TSW-770/1070 Mounting Bracket

To attach the TSW-770/1070 mounting bracket (included with the touch screen) to the MSMK:

1. Cut the rear housing template off of the surface and remove any existing tape guides.
2. Use the included 4-40 x 5/8 in. screws to attach the TSW-770/1070 mounting bracket to the four screw holes in the rear housing.
 - Ensure that the "TOP" text on the TSW-770/1070 mounting bracket is right side up.
 - Use a level to adjust the mounting bracket position to ensure it is centered and level.

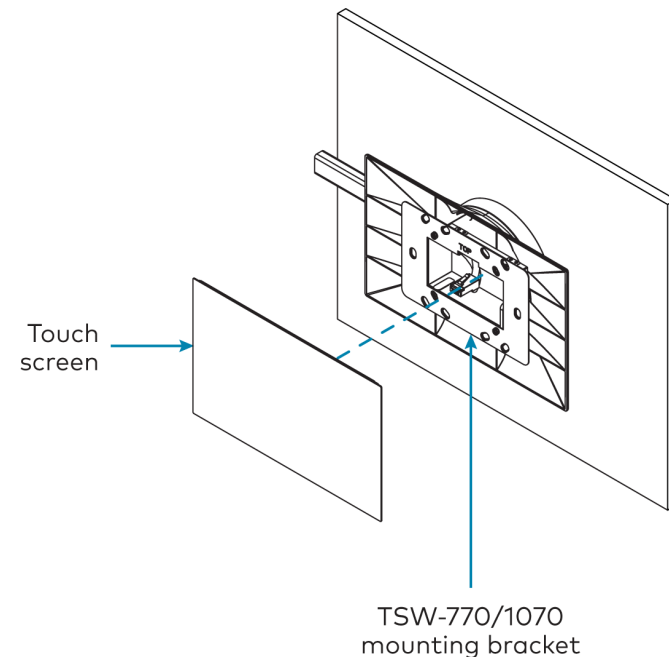


NOTE: If installing a TSW-770-LB or TSW-1070-LB light bar as part of the MSMK installation, the light bar must be placed in between the TSW-770/1070 mounting bracket and the MSMK rear housing during this stage of the installation. For more information on installing the light bar, refer to the [TSW-770-LB and TSW-1070-LB Quick Start](#).

Attach the Touch Screen

To attach the touch screen to the MSMK:

1. Connect all cables to the rear of the touch screen.
2. Push the touch screen gently into the mounting bracket until the rear of the touch screen snaps into place inside the mounting bracket.



Multisurface Mount Kits for TSW-70 Series

Attach the Plastic Cap (Optional)

To provide a finished appearance for installations on glass or other transparent surfaces, install the included molded plastic cap on the opposite side of the surface behind the MSMK.

To install the plastic cap:

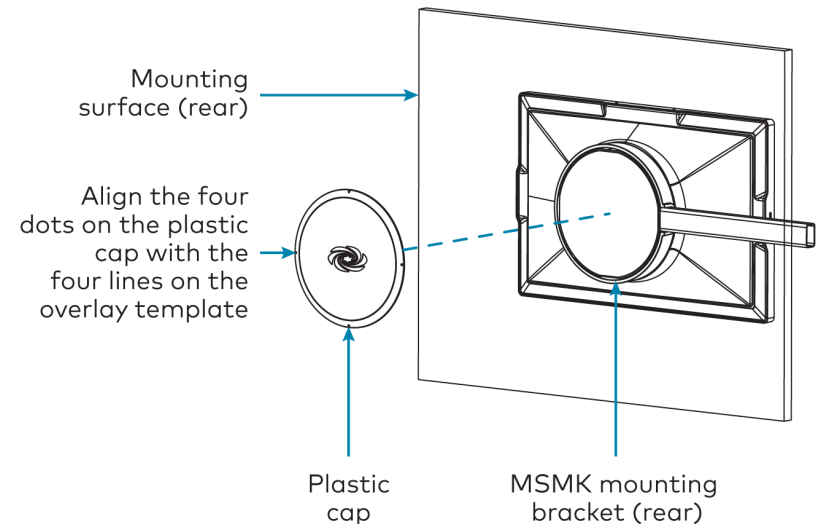
1. Clean and dry the rear of the mounting surface thoroughly. Refer to the caution statements at the beginning of the "Install the MSMK" section for important cleaning and drying notes.
2. Use a level to align the included plastic cap template with the circular base of the mounting bracket on the opposite side of the surface.
3. Tape the plastic cap template to the mounting surface.
4. Remove the protective liner from the rear of the plastic cap.

CAUTION: The adhesive on the rear of the plastic cap is high-strength bond. Once the adhesive comes in contact with a surface, it cannot be removed easily. If the logo on the plastic cap is crooked after installation, it cannot be rotated.

5. Using the overlay template as a guide, hold the plastic cap over the center of the rear housing's circular base, and then align the four dots on the plastic cap with the four lines on the template. Do not allow the adhesive to come in contact with the surface.

6. Attach the plastic cap to the surface, starting with the bottom edge. Press the plastic cap to the surface firmly for at least 30 seconds to ensure the adhesive bonds to the surface.

NOTE: All air bubbles must be smoothed out and eliminated to ensure a complete bond to the surface.



Multisurface Mount Kits for TSW-70 Series



Visit the Product Pages

Scan the QR code to visit the product pages.

TSW-770-MSMK:



www.crestron.com/model/6511117

TSW-1070-MSMK:



www.crestron.com/model/6511119

Additional Information

Original Instructions

The U.S. English version of this document is the original instructions. All other languages are a translation of the original instructions.

The product warranty can be found at www.crestron.com/warranty.

The specific patents that cover Crestron products are listed at www.crestron.com/legal/patents.

Certain Crestron products contain open source software. For specific information, visit www.crestron.com/opensource.

Crestron and the Crestron logo are either trademarks or registered trademarks of Crestron Electronics, Inc. in the United States and/or other countries. Other trademarks, registered trademarks, and trade names may be used in this document to refer to either the entities claiming the marks and names or their products. Crestron disclaims any proprietary interest in the marks and names of others. Crestron is not responsible for errors in typography or photography.

©2024 Crestron Electronics, Inc.

Doc ID 8554D

06/21/24