

## RFID Card Reader

The Crestron® [RFID-USB](#) is an RFID card reader that integrates into supported room scheduling applications and custom room control projects via a [TSW-70 series](#) or [TSS-70 series](#) touch screen. The RFID-USB installs next to the touch screen, allowing users to easily authenticate with or communicate to the touch screen by scanning an RFID card. The RFID-USB also integrates with a Crestron control system for custom room control or access projects.

**NOTE:** A third-party Quick Start is provided in the box with the RFID-USB for compliance purposes only. The Crestron Quick Start should be used when installing the RFID-USB.



### In the Box

1 RFID-USB, RFID Card Reader

#### Additional Items

4 Adhesive Pads (2058188)  
 1 Cable, Micro USB to USB A, 17.72 in. (450 mm) (2058186)  
 1 Frame, Glass Mount (2058187)  
 1 Label, Adhesive (2058189)



## Install the RFID-USB

The RFID can be installed into drywall or onto a flat, smooth surface such as glass. Procedures for each installation are provided in the sections that follow.

**NOTE:** To avoid RF interference, ensure that no metal object or surface is located within 10 cm of the RFID-USB after installation

### Drywall Mounting

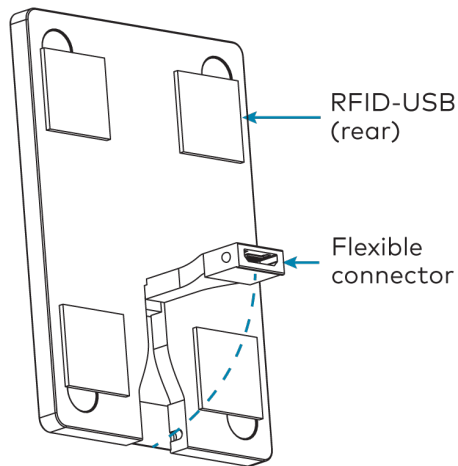
The following is required for this installation: a level, a roll of masking tape, a drill, and a surface cleaning product that does not leave a film.

**NOTE:** The following procedure assumes that the touch screen has been installed into drywall using its provided mounting bracket or the TSW-770/1070-MSMK-ANG multisurface mount kit. For more information, refer to the [TSW-570, TSW-770, and TSW-1070 Quick Start](#), the [TSS-770 and TSS-1070 Quick Start](#), or the [TSW-770/1070-MSMK-ANG Quick Start](#).

1. Clean and dry the mounting surface thoroughly.
2. Select the mounting location for the RFID-USB. The RFID-USB should be mounted below the touch screen and should not be mounted more than 8 in. (203 mm) away from the touch screen.
3. Using the level, tape a horizontal reference line on the mounting surface that aligns with the lower edge of the RFID-USB. Ensure the reference line is level before proceeding.
4. Drill a 3/4 in. (19 mm) diameter hole into the mounting surface at the center of where the RFID-USB will be mounted.
5. Route the provided USB cable through the drywall from the touch screen cutout to the hole created in step 4 above. Ensure that the micro USB end of the cable is routed to the mounting location.
6. Attach the USB A cable end to the touch screen rear housing.

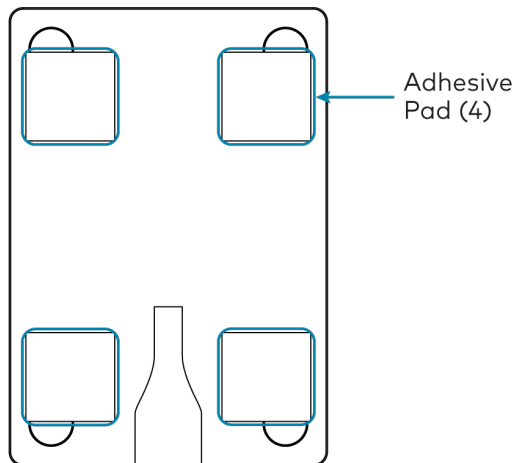
## RFID Card Reader

7. Bend the flexible connector on the RFID-USB so it is at a 90° angle.



8. Attach the micro USB cable end to the RFID-USB flexible connector.

9. Remove the protective liner from the four adhesive pads on the RFID-USB.

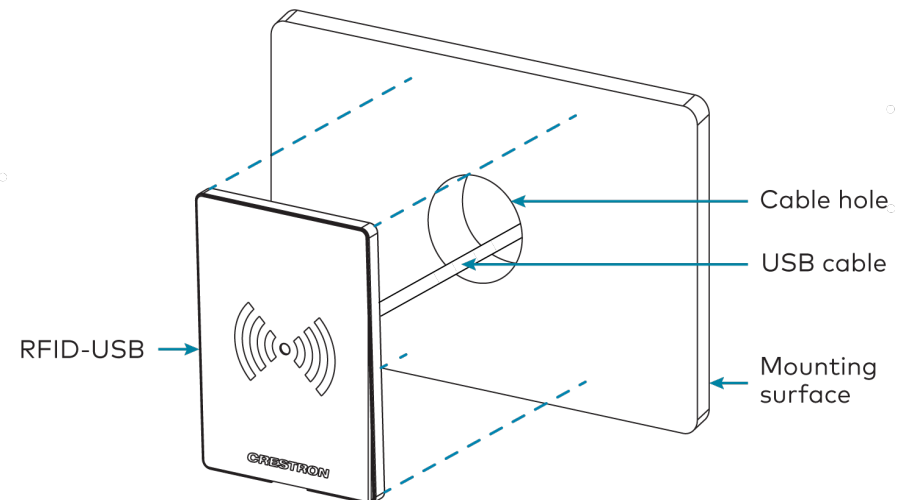


**CAUTION:** The adhesive pads are high-strength bond. Once the adhesive comes in contact with a surface, it cannot be easily removed.

10. Hold the RFID-USB at a 45-degree angle to the mounting surface, and then align the lower edge of the pad with the taped reference line. Do not allow the adhesive to come in contact with the drywall.

**NOTE:** The RFID-USB must be positioned so that the flexible connector and connected USB cable will enter the cable hole once the RFID-USB is mounted.

11. Once the RFID-USB is level and aligned with the taped reference line, press the edges of the device to the mounting surface firmly to ensure proper adhesion and to eliminate any trapped air bubbles.



## RFID Card Reader

### Glass Surface Mounting

The mounting procedures for installing the RFID-USB on glass or another flat, smooth surface differ depending on whether the touch screen was installed using a multisurface mount kit or a mullion mount kit. Both procedures are provided.

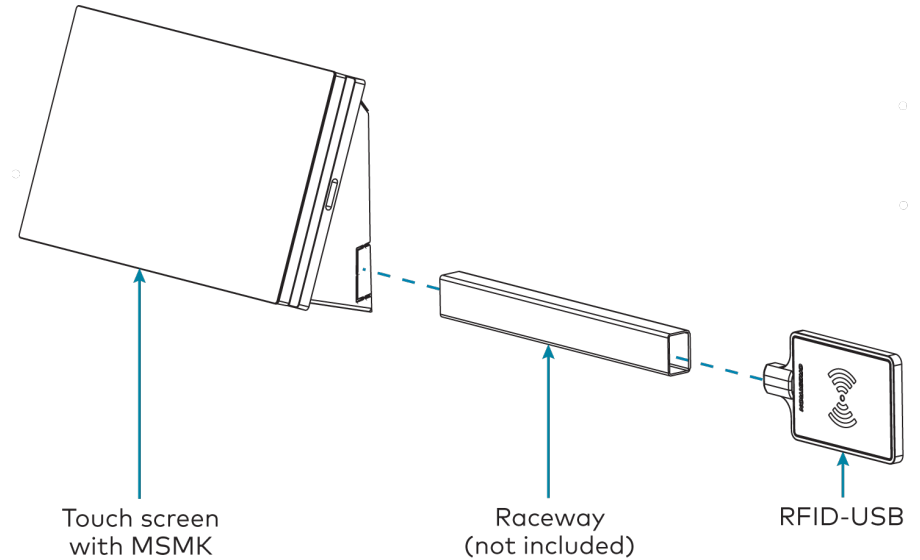
### Multisurface Mount Kit Installation

The following is required for this installation: a level, a roll of masking tape, and a surface cleaning product that does not leave a film.

**NOTE:** The following procedure assumes that the touch screen has been installed onto the glass surface using the TSW-770-MSMK, TSW-1070-MSMK, or TSW-770/1070-MSMK-ANG multisurface mount kits. For more information, refer to the [TSW-770-MSMK and TSW-1070-MSMK Quick Start](#) or the [TSW-770/1070-MSMK-ANG Quick Start](#).

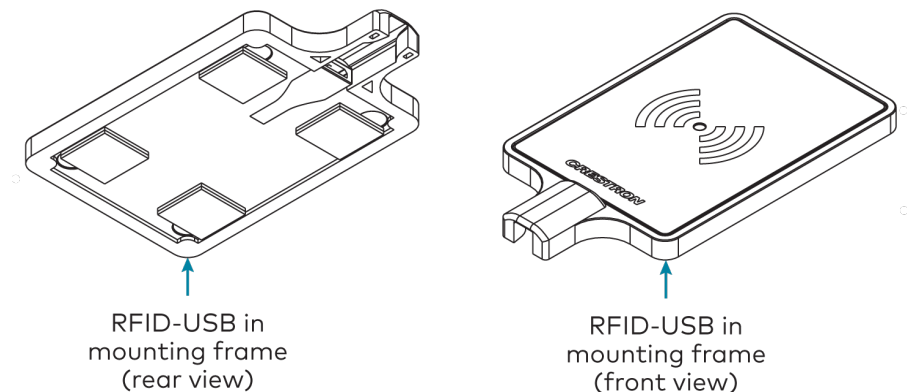
1. Clean and dry the mounting surface thoroughly.
2. Select the mounting location for the RFID-USB and determine whether raceway (not included) will be exiting the MSMK from the top, bottom, left, or right knockout to conceal the USB cable. The RFID-USB should not be mounted more than 8 in. (203 mm) away from the touch screen.
3. Using the level, tape a horizontal reference line on the glass surface that aligns with the lower edge of the RFID-USB. Ensure the reference line is level before proceeding.
4. Use pliers (or a similar tool) to break away the appropriate knockout on the left, right, or bottom of the MSMK for routing the USB cable from the RFID-USB to the touch screen.
5. Route the provided USB cable through the MSMK knockout opened in step 4 above to the touch screen. Ensure that the micro USB end of the cable is routed to the RFID-USB mounting location.
6. Attach the USB A cable end to the touch screen rear housing.

7. Install any raceway (if using) to conceal the USB cable.



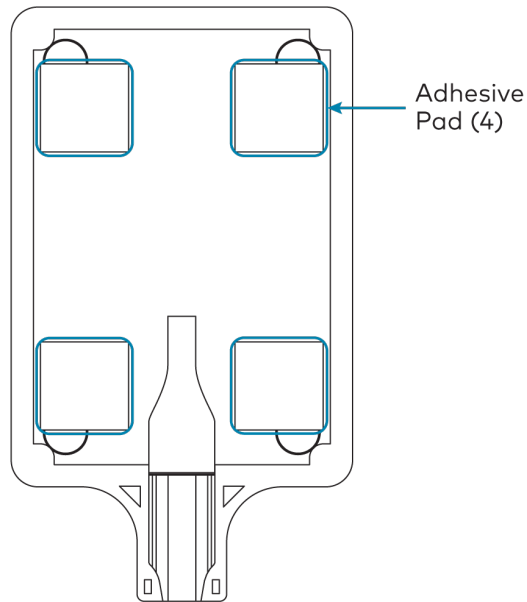
**NOTE:** To ensure a proper fit, Crestron recommends using raceway with the following dimensions: 0.45 in. H x 0.77 in. W (11 x 20 mm).

8. Insert the RFID-USB into the mounting frame front-side first.



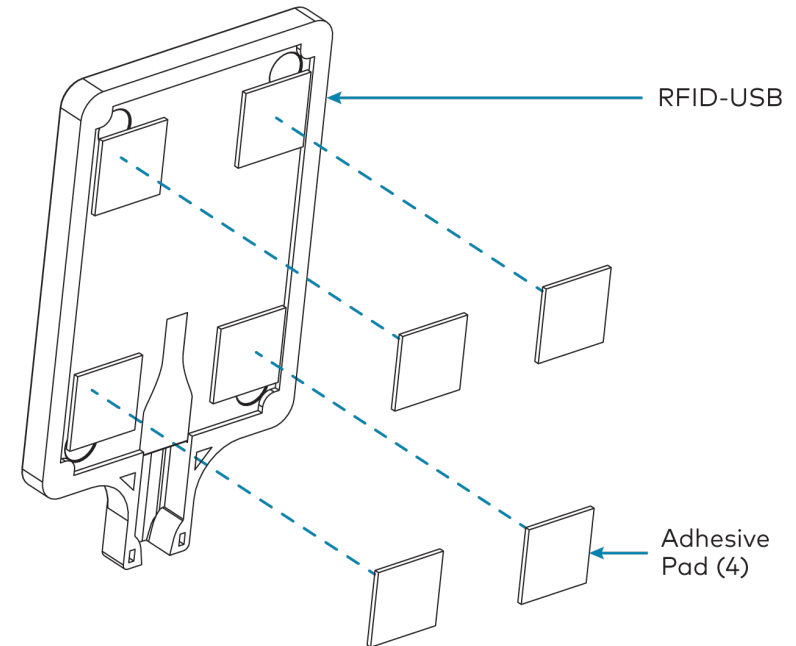
## RFID Card Reader

9. Attach the micro USB cable end to the RFID-USB flexible connector.
10. Remove the protective liner from the four adhesive pads on the RFID-USB.



**CAUTION:** The adhesive pads are high-strength bond. Once the adhesive comes in contact with a surface, it cannot be easily removed.

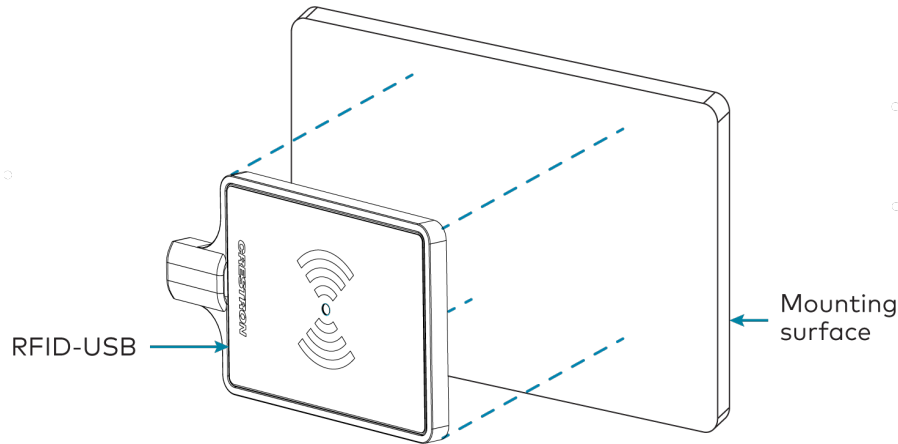
11. Remove the protective liner from one side of the four additional adhesive pads, and then attach them to the existing adhesive pads on the RFID-USB.



12. Remove the protective liner from the other side of the four additional adhesive pads attached in step 11 above.
13. Hold the RFID-USB at a 45-degree angle to the glass surface at the orientation it will be mounted, and then align the lower edge of the device with the taped reference line. Do not allow the adhesive to come in contact with the drywall.

## RFID Card Reader

- Once the RFID-USB is level and aligned with the taped reference line, press the edges of the device to the mounting surface firmly to ensure proper adhesion and to eliminate any trapped air bubbles.



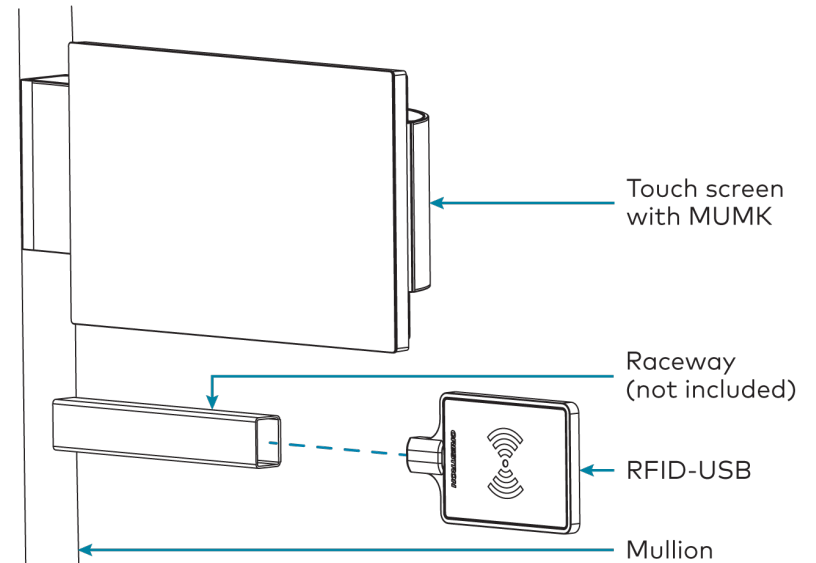
## Mullion Mount Kit Installation

The following is required for this installation: a level, a roll of masking tape, a drill, and a surface cleaning product that does not leave a film.

**NOTE:** The following procedure assumes that the touch screen has been installed onto the glass surface using the TSW-770/1070-MUMK mullion mount kit. For more information, refer to the [TSW-770/1070-MUMK Quick Start](#).

- Clean and dry the mounting surface thoroughly.
- Select the mounting location for the RFID-USB and determine where raceway (not included) will be installed to conceal the USB cable. The RFID-USB should be mounted below the touch screen and should not be mounted more than 6 in. (152 mm) away from the touch screen.
- Using the level, tape a horizontal reference line on the glass surface that aligns with the lower edge of the RFID-USB. Ensure the reference line is level before proceeding.

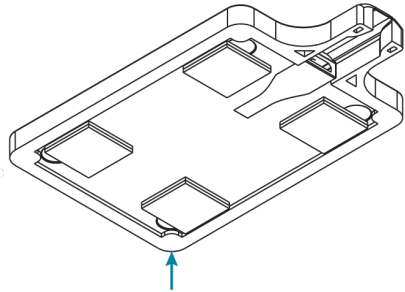
- Drill a 1/2 in (13 mm) diameter hole into the mullion where the USB cable will exit the mullion to the RFID-USB.
- Route the provided USB cable through the mullion from the touch screen to the hole created in step 4. Ensure that the micro USB end of the cable is routed toward the RFID-USB mounting location.
- Attach the USB A cable end to the touch screen rear housing.
- Install any raceway (if using) to conceal the USB cable.



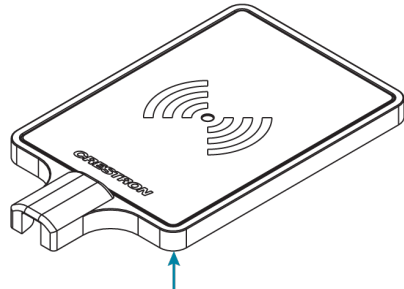
**NOTE:** To ensure a proper fit, Crestron recommends using raceway with the following dimensions: 0.45 in. H x 0.77 in. W (11 x 20 mm).

## RFID Card Reader

8. Insert the RFID-USB into the mounting frame front-side first.

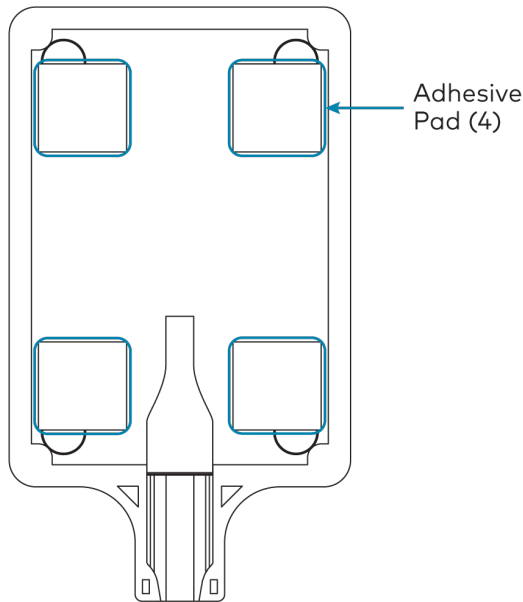


RFID-USB in mounting frame (rear view)



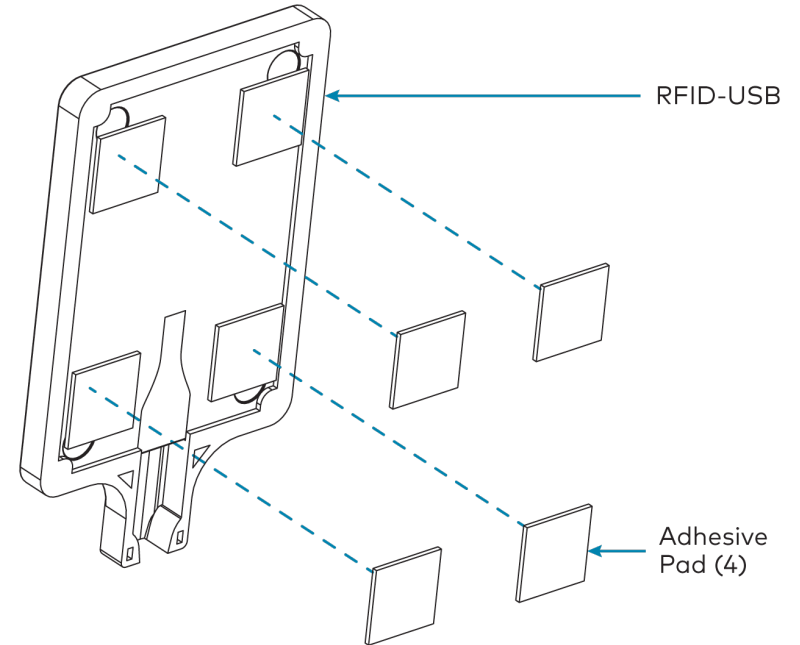
RFID-USB in mounting frame (front view)

9. Attach the micro USB cable end to the RFID-USB flexible connector.
10. Remove the protective liner from the four adhesive pads on the RFID-USB.



**CAUTION:** The adhesive pads are high-strength bond. Once the adhesive comes in contact with a surface, it cannot be easily removed.

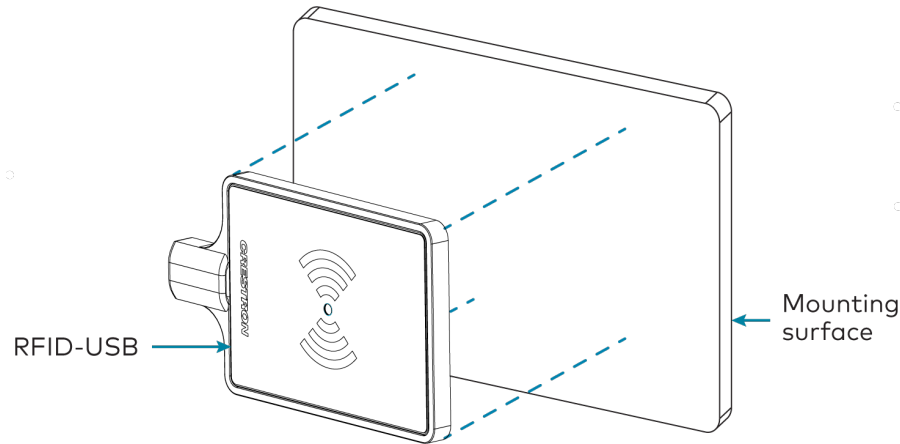
11. Remove the protective liner from one side of the four additional adhesive pads, and then attach them to the existing adhesive pads on the RFID-USB.



12. Remove the protective backing from the other side of the four additional adhesive pads attached in step 10 above.
13. Hold the RFID-USB at a 45-degree angle to the glass surface so that the flexible connector is facing the mullion, and then align the lower edge of the device with the taped reference line. Do not allow the adhesive to come in contact with the drywall.

## RFID Card Reader

- Once the RFID-USB is level and aligned with the taped reference line, press the edges of the device to the mounting surface firmly to ensure proper adhesion and to eliminate any trapped air bubbles.



### Attach the Label (Optional)

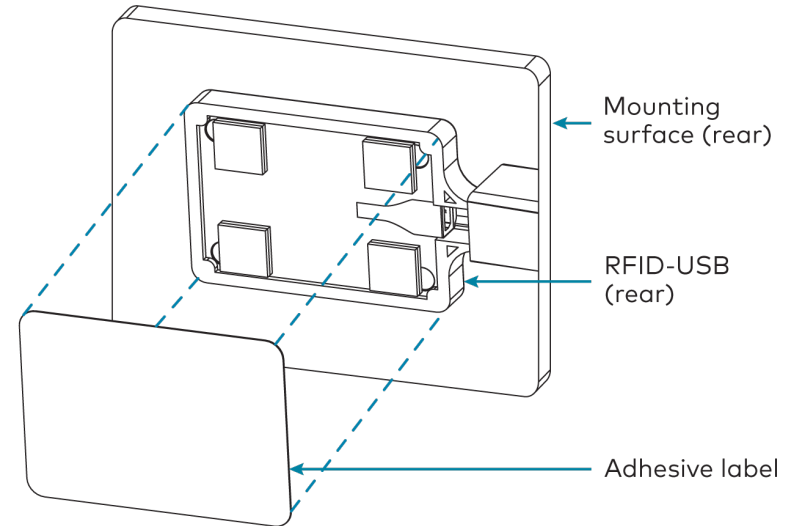
To provide a finished appearance for installations on glass or other transparent surfaces, install the included adhesive label on the opposite side of the surface behind the RFID-USB.

To install the label:

- Clean and dry the rear of the mounting surface thoroughly.
- Using the level, tape a horizontal reference line on the glass surface that aligns with the lower edge of the RFID-USB on the opposite side. Ensure the reference line is level before proceeding.
- Remove the protective liner from the rear of the label.

**CAUTION:** The adhesive on the rear of the label is high-strength bond. Once the adhesive comes in contact with a surface, it cannot be removed easily.

- Hold the label at a 45-degree angle to the RFID-USB, and then align the lower edge of the label with the lower edge of the RFID-USB. Do not allow the label adhesive to come in contact with the surface.
- Once the label is level and aligned with the angled bracket, press the label to the pad firmly to ensure proper adhesion and to eliminate any trapped air bubbles.



## RFID Card Reader



## Visit the Product Page

Scan the QR code to visit the product page.

RFID-USB



[www.crestron.com/model/6512085](http://www.crestron.com/model/6512085)

## Additional Information

**Original Instructions**

The U.S. English version of this document is the original instructions. All other languages are a translation of the original instructions.

**Regulatory Model:** TWN4 Slim

Crestron product development software is licensed to Crestron dealers and Crestron Service Providers (CSPs) under a limited nonexclusive, nontransferable Software Development Tools License Agreement. Crestron product operating system software is licensed to Crestron dealers, CSPs, and end-users under a separate End-User License Agreement. Both of these Agreements can be found on the Crestron website at [www.crestron.com/legal/software\\_license\\_agreement](http://www.crestron.com/legal/software_license_agreement).

The product warranty can be found at [www.crestron.com/warranty](http://www.crestron.com/warranty).

The specific patents that cover Crestron products are listed at [www.crestron.com/legal/patents](http://www.crestron.com/legal/patents).

Certain Crestron products contain open source software. For specific information, visit [www.crestron.com/opensource](http://www.crestron.com/opensource).

Crestron and the Crestron logo are either trademarks or registered trademarks of Crestron Electronics, Inc. in the United States and/or other countries. Bluetooth is either a trademark or registered trademark of Bluetooth SIG, Inc. in the United States and/or other countries. Other trademarks, registered trademarks, and trade names may be used in this document to refer to either the entities claiming the marks and names or their products. Crestron disclaims any proprietary interest in the marks and names of others. Crestron is not responsible for errors in typography or photography.

©2021 Crestron Electronics, Inc.

Doc. 9025A

12/15/21