

## Ultimate 2-Way In-Ceiling Speakers, White Textured, Single

The Crestron® Ultimate speakers [ULTIMATE IC6-W-T-EACH](#) and [ULTIMATE IC8-W-T-EACH](#) made by Origin Acoustics deliver the pinnacle of performance for demanding residential installations. Select materials, top shelf components and a high-end appearance underscore the design behind each model. The result is a complete line of in-ceiling speakers suitable for installation in luxury residential applications, restaurants, retail spaces, universities, and office buildings.



### In the Box

1 Ultimate 2-Way In-ceiling Speaker (6511842 or 6511843)

#### Additional Items

1 Bayonet Ring  
 1 Cutout Template  
 1 Grille



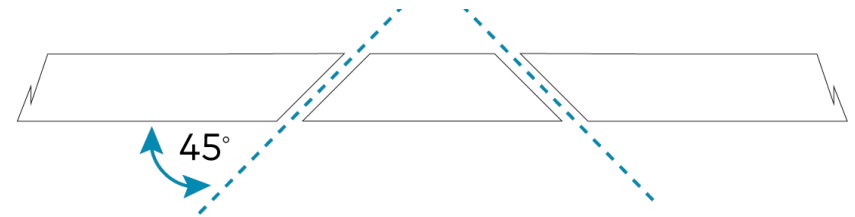
## Installation

### Prepare the Mounting Hole

Before finalizing the speaker location, check to make sure there are no fixtures, pipes, air ducts, joists, or other possible obstructions. If applicable, use a good quality stud finder to locate joists. If there are no obstructions, use the supplied template to trace an outline of the mounting hole.

To identify obstructions, do the following:

- Use a drywall saw to cut a small hole at a 45° angle. An angle cut simplifies repair since the removed piece can be reinserted to help plug the hole.

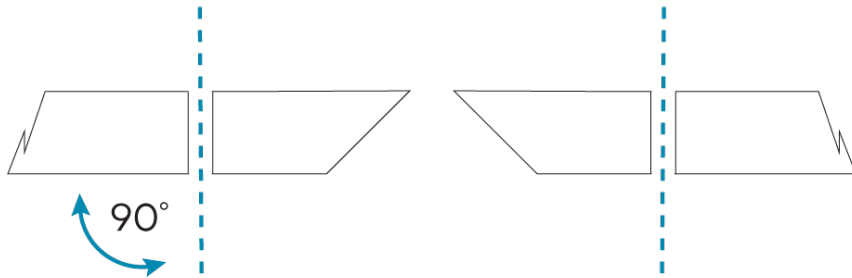


- Use a piece of stiff wire, bent into an L shape, with one end long enough to explore an area equal to the size of the speaker. Insert the wire into the hole, make sure it rotates freely in a complete circle and that there is sufficient depth.

If there are no obstructions, use the supplied template to trace outlines of the mounting hole on the ceiling. Cut the final mounting hole at a 90° angle to the ceiling.

**NOTE:** Unless otherwise indicated in this guide, the procedures for installing the Crestron Ultimate speakers [ULTIMATE IC6-W-T-EACH](#) and [ULTIMATE IC8-W-T-EACH](#) are same.

## Ultimate 2-Way In-Ceiling Speakers, White Textured, Single



### Paint the Speaker Grille

Painting the speaker grille should be done prior to mounting.

1. Carefully remove the thin cloth on the underside of the grille, and set it aside for re-installation.
2. Lightly spray paint the front of the grille from a distance. Be careful not to plug any of the holes.
3. Once the paint is dry, put the cloth back on the underside of the grille.

### Install the Bayonet Ring

The bayonet ring features a metal lock to ensure the correct installation of the loudspeaker. Out of the box, the lock will be in its closed position.

1. Open the lock tab to its unlocked position to remove the speaker from the ring.
2. Push the metal release tabs on the inside of the rails and pull the clips to the top of the rails.

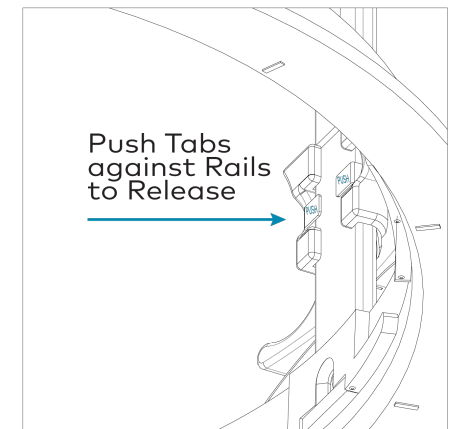
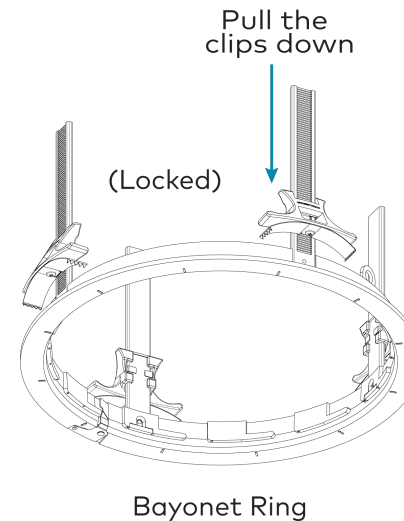
**NOTE:** Out of the box, the clips are positioned at top of rails.

3. Insert the bayonet ring into the hole in the ceiling by gently bending the rails inward.

#### NOTES:

- Ensure the bayonet ring rails are properly bent and inserted into the ceiling hole to avoid damaging the bayonet ring rails.
- The length of the bayonet ring rails can be adjusted by breaking them off to match the depth of the mounting hole. Ensure the clips are tightened before you do so.

4. Reach inside the bayonet ring and pull the clips down so that the bayonet ring is firmly in place, but not too tight. If the bayonet ring needs to be removed, reach inside and push the release tabs to reset the clips and the bayonet ring can now be taken out.



## Ultimate 2-Way In-Ceiling Speakers, White Textured, Single

### Install the Speaker Cable

Run the speaker cable (not included) from the audio source to the speaker location, observing all appropriate local codes. Strip the ends of the speaker cable approximately 0.25 in. to 0.50 in. (~6 mm to ~12 mm) and twist the strands.

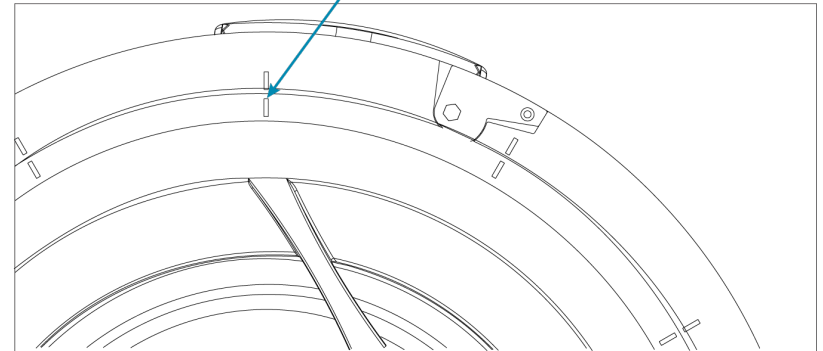
### Connect the Speaker Cable

Connect the speaker cable (not included) to the spring terminals by pressing the top of the terminals down and inserting the exposed strands into the hole. Make sure that the positive wire is attached to the red connection, and the negative wire is attached to the black connection.

### Mount/Remove the Speaker

1. Fit the speaker into the bayonet ring. Then twist the speaker about 15 degrees clockwise into place. When the speaker is properly seated, the indicators on the ring and the speaker line up.

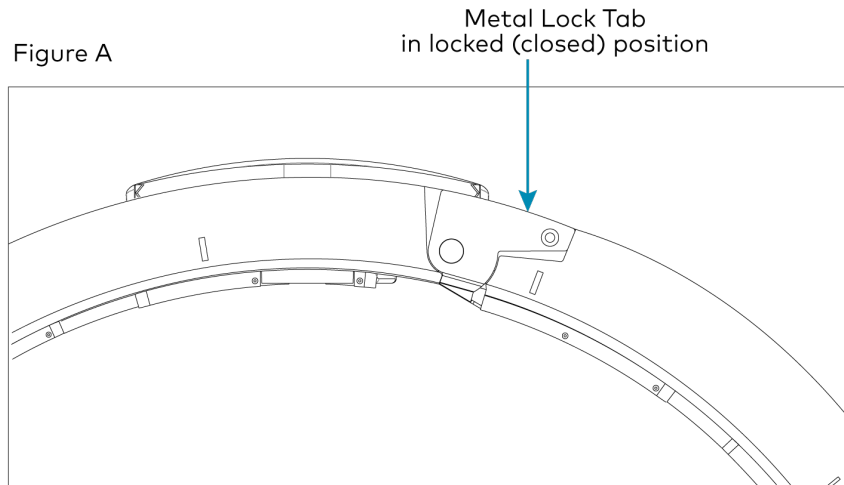
Indicators on the ring and the speaker lined up



**NOTE:** The indicators must line up to ensure the speaker is properly seated. The speaker must be properly seated, or the metal lock tab will not lock.

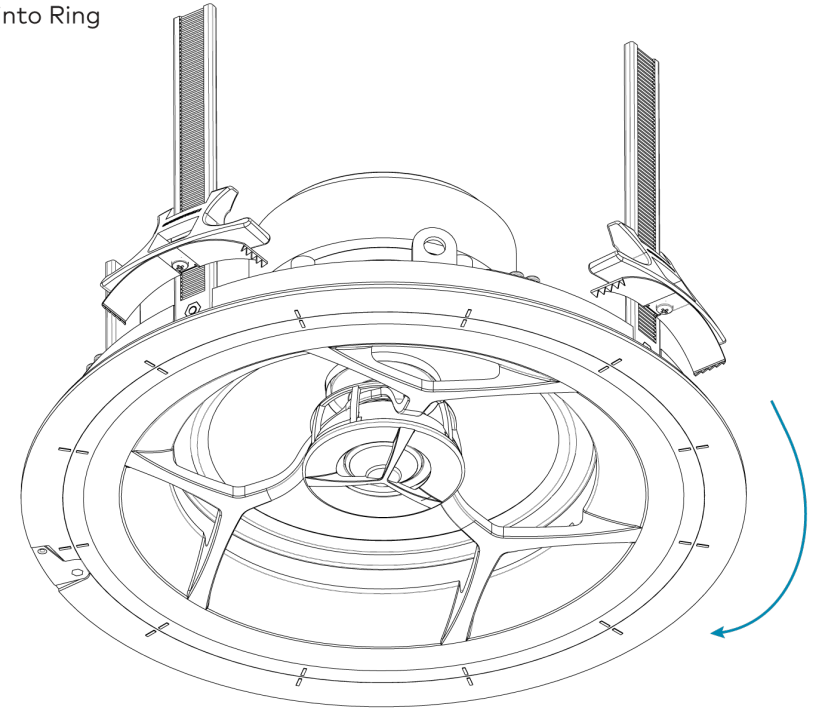
## Ultimate 2-Way In-Ceiling Speakers, White Textured, Single

2. Push the metal lock tab to its locked (closed) position (see Figure A).



### ULTIMATE IC6-W-T-EACH

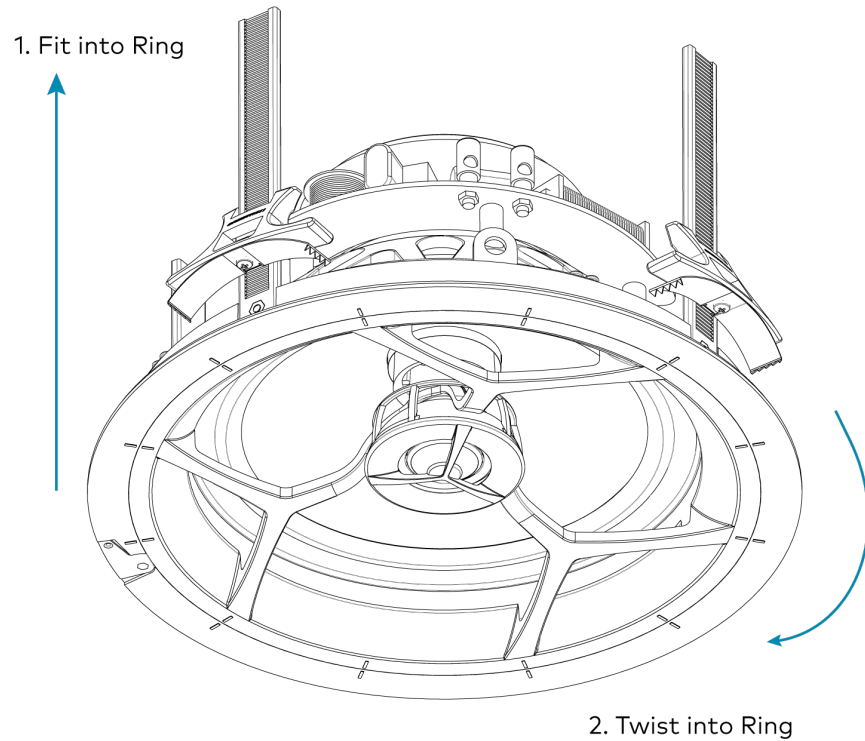
1. Fit into Ring



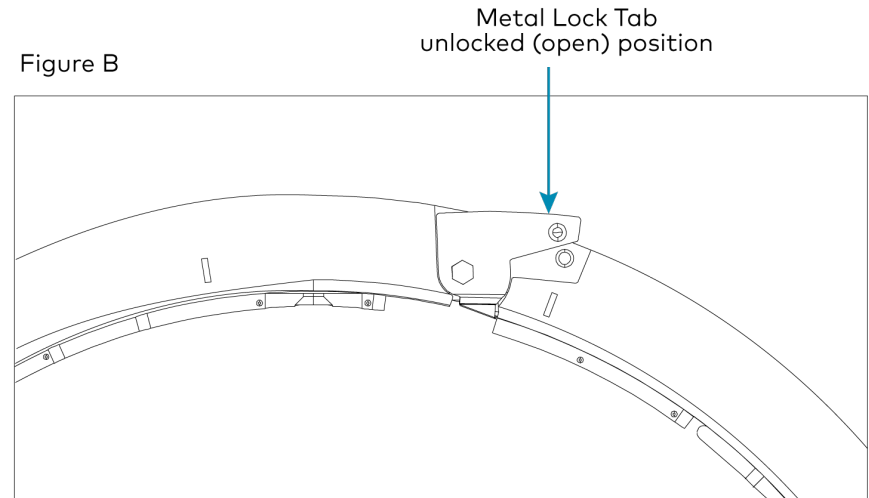
2. Twist into Ring

## Ultimate 2-Way In-Ceiling Speakers, White Textured, Single

### ULTIMATE IC8-W-T-EACH



3. To uninstall the speaker, pull the metal lock tab to its unlocked (open) position (see Figure B) and twist the speaker counterclockwise.



## Ultimate 2-Way In-Ceiling Speakers, White Textured, Single



### Visit the Product Page

Scan the QR code to visit the product page.

#### ULTIMATE IC6-W-T-EACH



<https://www.crestron.com/model/6511842>

#### ULTIMATE IC8-W-T-EACH



<https://www.crestron.com/model/6511843>

### Additional Information

#### Original Instructions

The U.S. English version of this document is the original instructions. All other languages are a translation of the original instructions.

#### Regulatory Model: M202046006

Crestron product development software is licensed to Crestron dealers and Crestron Service Providers (CSPs) under a limited nonexclusive, nontransferable Software Development Tools License Agreement. Crestron product operating system software is licensed to Crestron dealers, CSPs, and end-users under a separate End-User License Agreement. Both of these Agreements can be found on the Crestron website at [www.crestron.com/legal/software\\_license\\_agreement](http://www.crestron.com/legal/software_license_agreement).

The product warranty can be found at [www.crestron.com/warranty](http://www.crestron.com/warranty).

The specific patents that cover Crestron products are listed at [www.crestron.com/legal/patents](http://www.crestron.com/legal/patents).

Certain Crestron products contain open source software. For specific information, visit [www.crestron.com/opensource](http://www.crestron.com/opensource).

Crestron and the Crestron logo are either trademarks or registered trademarks of Crestron Electronics, Inc. in the United States and/or other countries. Origin Acoustics is either a trademark or registered trademark of Origin Acoustics, Inc. in the United States and/or other countries. Other trademarks, registered trademarks, and trade names may be used in this document to refer to either the entities claiming the marks and names or their products. Crestron disclaims any proprietary interest in the marks and names of others. Crestron is not responsible for errors in typography or photography.

©2021 Crestron Electronics, Inc.

Doc. 9036A

06/29/21