

GLA-IR-CM-COM2-24 by Steinel

Presence Detector



The IR CM COM2-24 is a low voltage passive infrared corner mount presence detector setting a new standard in lighting and HVAC control with minimal movement required for human presence detection. Lighting is controlled in relation to both the presence of motion and ambient light levels. The HVAC output (isolated normally open and normally closed dry contacts) are signaled in relation to only the presence of motion. It features a pyroelectric detector with a high performance lens system creating 520 switching zones. Operational choices of manual on or auto on with either momentary or maintained switch options. Included light level feature provides the option to turn lights off when sufficient daylight is present for additional energy savings. The convenient “COM-Link” feature enables multiple sensors to link together via the communication link for peer to peer grouping achieving expanded detection zones with control set up functions set at only one primary sensor for the entire group. The available service and user wireless remotes provide simplified commissioning and occupant convenience.

Applications

Typical applications include offices, schools and other indoor public building spaces.

Item No.	IR CM COM2-24
Accessories	Smart remote RC 8 programming remote RC 4 user remote
Voltage	18 - 24 VDC/VAC (29 mA) 50/60 Hz
Load Rating	control output (blue) - 1 A @ 24 VAC/VDC 50/60 Hz HVAC dry contacts: Common (yellow) Normally open (yellow/red) 1 A @ 24 VAC/VDC Normally closed (yellow/black) 1 A @ 24 VAC/VDC
Sensing Technology	passive infrared (PIR)
Time Delay Setting	control output - 30 sec. - 30 min. pulse mode (approx. 2 sec. 'ON' 8 sec. 'OFF') IQ mode (automatic adjustment to the usage profile) HVAC dry contacts: 0 sec. - 10 min. switch 'ON' delay 1 min. - 30 min. stay 'ON' time auto-HVAC mode
Light Level Setting	10 - 1000 lux / 1 - 100 fc
Environment	IP20 rated, 0° C to +55° C / 32° F to 131° F
Installation Height	2.5 - 3.5 m / 8 - 12 ft
PIR Detection Zones: (Coverage at 2.5 m / 9 ft)	presence: max. 7 m (134 sq.m.) max. 22 ft (440 sq.ft.) radial: max. 8 m (200 sq.m.) max. 26 ft (655 sq.ft.) tangential: max. 25 m (1612 sq.m.) max. 82 ft (5290 sq.ft.)
Lens Design	11 detection levels, 520 switching zones
Dimensions	4.72 x 2.76 x 4.21 in, 120 x 70.2 x 107 mm (LxWxD)
Warranty	5 years
Certifications	C-UL-US Listed, RoHS compliant CA Energy Code compliant

Key Features:

- Independent ON and OFF time settings for the HVAC (NO/NC)
- PIR Presence Detection with 520 switching zones
- Service and user wireless remotes available
- Manual ON mode (MAN) / Automatic mode (AUTO)
- Momentary / Maintained switch option
- 'ON' only / 'ON' & 'OFF' manual switching
- Light level feature turns lights off with sufficient daylight
- “COM-Link” communication allows for up to 10 sensors to be grouped together
- Auto-HVAC mode reduces presence detection sensitivity and requires additional detection verification before signaling the HVAC output.

PIR

520 PIR Detection Zones



160° 82 Ft Max
22 Ft Presence



1 - 100 fc



18 - 24 VDC/VAC & HVAC



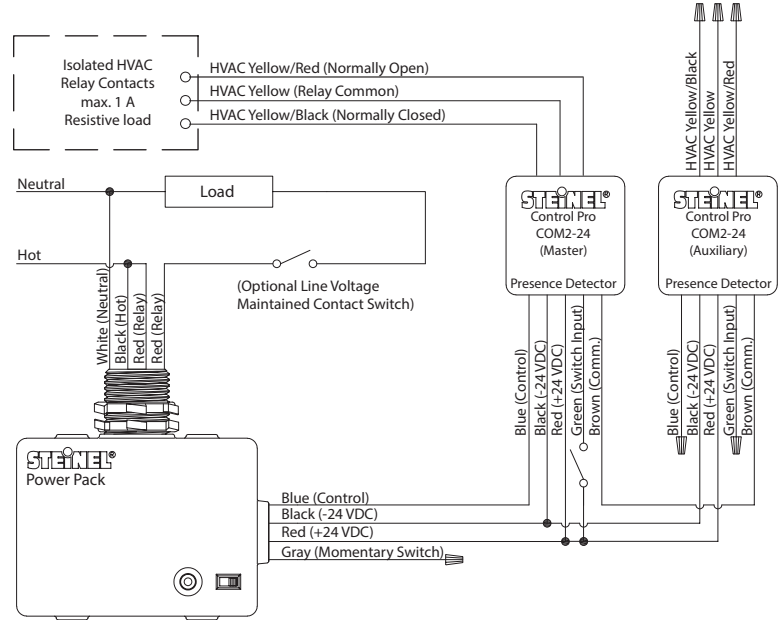
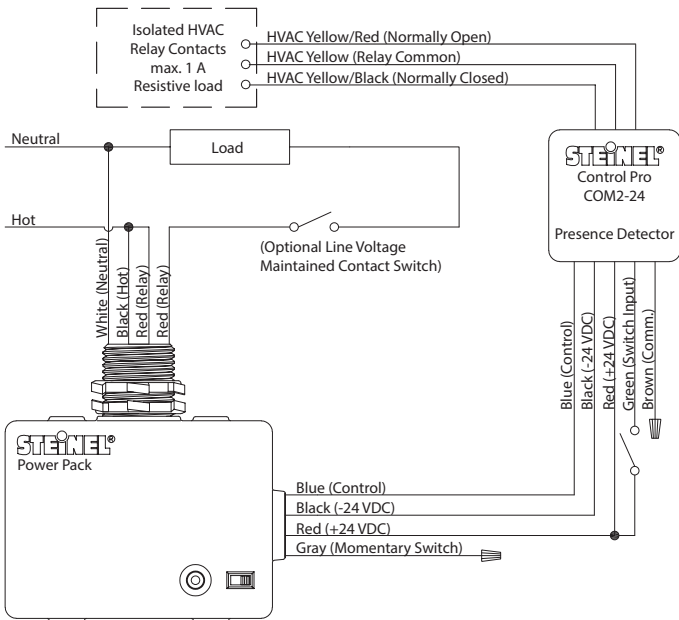
30 Sec - 30 Min

GLA-IR-CM-COM2-24 by Steinel

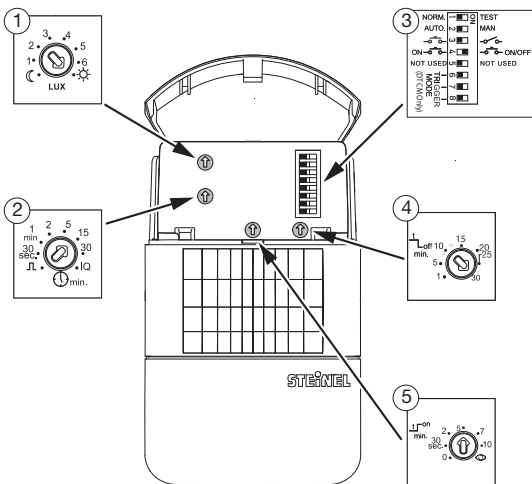
Presence Detector



Wiring



Settings

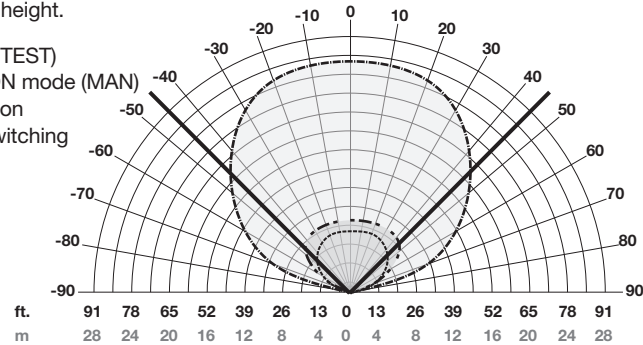


- DIP 1 - Normal mode / Test mode (NORM / TEST)
- DIP 2 - Automatic mode (AUTO) / Manual ON mode (MAN)
- DIP 3 - Momentary / Maintained switch option
- DIP 4 - 'ON' only / 'ON' & 'OFF' manual switching
- DIP 5 - Not used
- DIP 6 - Not used
- DIP 7 - Not used
- DIP 8 - Not used

- 1 - Light level setting
- 2 - Occupancy time delay setting
- 3 - Sensor DIP switch settings
- 4 - HVAC stay-'ON' time
- 5 - HVAC switch-'ON' delay

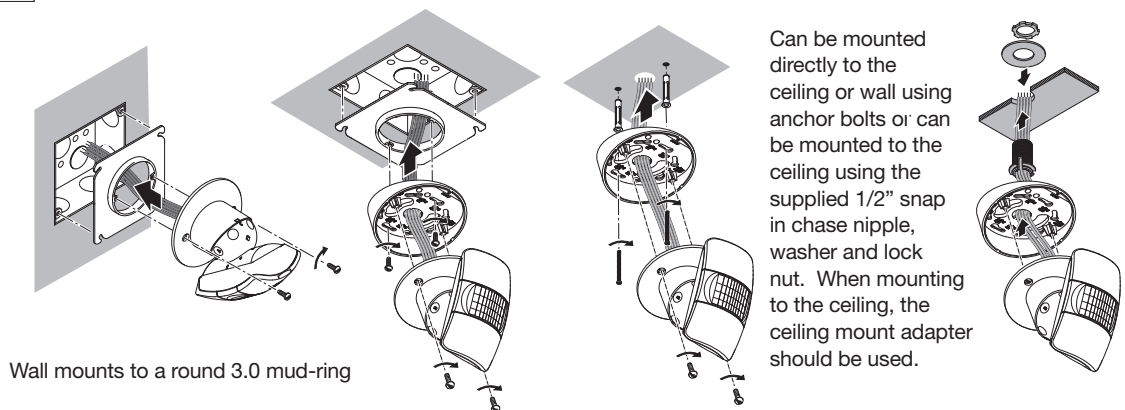
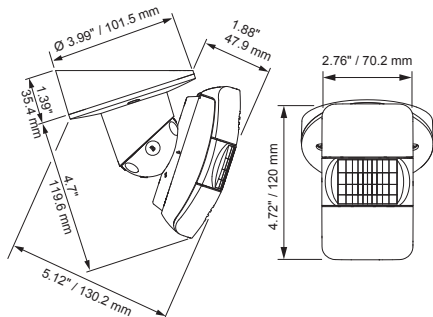
Coverage

Shown at 9 ft mounting height. Coverage will vary depending on mounting height.



Ceiling mounts to a round 3.0 mud-ring using the ceiling mount adapter

Mounting



Wall mounts to a round 3.0 mud-ring

Can be mounted directly to the ceiling or wall using anchor bolts or can be mounted to the ceiling using the supplied 1/2" snap in chase nipple, washer and lock nut. When mounting to the ceiling, the ceiling mount adapter should be used.