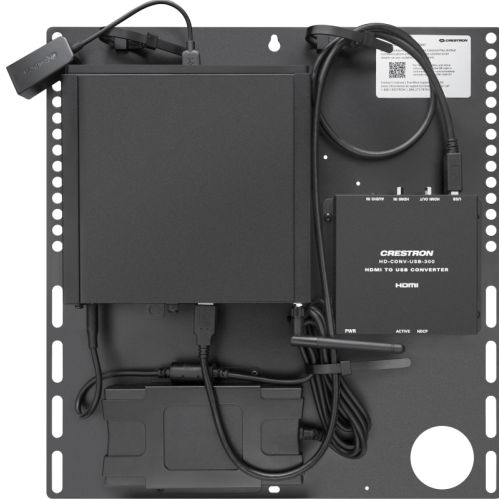


UC-M50-T-UPGRD

Crestron Flex Medium Room Upgrade Solution with Microsoft Teams® Rooms



- *Upgrades a single Crestron Flex tabletop conference device to a complete video conference system*
- *Native Microsoft Teams® software provides a consistent, simple user experience with one-touch meeting joins*
- *Complete kit contains a UC bracket assembly and cables*
- *Easy to specify and install – no custom design, programming, or software installation required*
- *Optional integration with Crestron® control systems*
- *Direct connection option between UC Engine and Crestron Flex tabletop conference device for simple installation and configuration*
- *Network management and provisioning, system alerts, and the pairing of the Crestron Flex tabletop conference device to the system's UC Engine through the XiO Cloud® service*
- *Premium-level support with Crestron Flex Care (optional)*
- *Enterprise-grade security - connects and communicates securely over any enterprise or SMB network*
- *Supports single or dual video displays*

The UC-M50-T-UPGRD solution provides all of the necessary components to upgrade a deployed Crestron Flex tabletop conference device (CCS-UC-1, CCS-UC-1-AV, or CCS-UC-1-AV-PLUS) and camera to a complete video conference system for use with the Microsoft Teams Rooms intelligent communications platform. It supports single or dual video displays¹ and features a UC Bracket Assembly and cables.

Native Microsoft Teams® Rooms Experience

The UC-M50-T-UPGRD system brings the full Microsoft Teams Rooms UC experience to any meeting space in an enterprise or SMB facility.

Simplified Deployment

The UC Bracket Assembly provides preassembled components on one ready-to-mount bracket to simplify installation. The assembly can be mounted on a wall, or it can be attached to the rear of the display device. Crestron's direct connection method further simplifies installation with a single connection from the to the UC Bracket Assembly.²

Crestron Control System Integration

The UC-M50-T-UPGRD can integrate with a Crestron control system to enable touch screen control of room lighting, motorized window shades, climate control, AV, and other amenities.³

Enterprise-Grade Security

Crestron Flex is an enterprise-grade solution, engineered in partnership with Microsoft® to integrate seamlessly into any Microsoft Teams Rooms software deployment. Crestron Flex is ideally equipped for mass deployment throughout any sized corporate, university, medical, military, or government facility.

Easy Provisioning and Device Management

The XiO Cloud service⁴ is an IoT cloud based provisioning service that enables installers and IT managers to deploy and manage thousands of devices easily. The XiO Cloud service allows for system alerts, network management and provisioning, and the pairing of a control device to the system's UC Engine. System updates are controlled by Windows® software update.

Visit www.crestron.com/xiocloud for additional information.

Premium-Level Support

Crestron Flex Care is an optional subscription service that automatically renews annually, providing 24/7 live remote technical support, an extended five year warranty on Crestron® hardware, expedited advance replacements, and a discounted rate for on-site support.

Visit www.crestron.com/flexcare for additional information.

Dual Control Option

A TS- or TSW- series 7 in. or 10.1 in. touch screen may be added to the solution as an additional control point for the Microsoft Teams Rooms environment.^{2, 4}

Deployment Resources

View the [Crestron Flex Pre-Deployment Checklist](#) to help plan your Crestron Flex installation.

UC-M50-T-UPGRD

Crestron Flex Medium Room Upgrade Solution with Microsoft Teams® Rooms

Specifications

Included Components

UC-BRKT-200-S-T-ASSY	UC Bracket Assembly for Microsoft Teams Rooms systems, comprised of: <ul style="list-style-type: none">• UC-ENGINE-S-T: UC Engine for Microsoft Teams video• ADPT-USB-ENET: USB-to-Ethernet Adapter• HDMI® to USB 3.0 converter for content ingest• Mounting hardware
CBL-4K-DP-HD-6	DisplayPort™ to HDMI Cable, 6 ft (1.8 m); secondary display
CBL-CAT5E-7	Ethernet LAN cable for UC Engine, RJ45-to-RJ45, black, 7 ft (2.1 m)
CBL-HD-6	HDMI Interface Cable, 6 ft (1.8 m); primary display
CBL-HD-20	HDMI Interface Cable, 20 ft (6.1 m); content sharing
CBL-USB-A-EXT-15	USB Extension Cable, USB Type A Male-to-Female, 15 ft (4.6 m)
DM-CBL-ULTRA-PC-20	Ethernet LAN cable, CAT6a, RJ45-to-RJ45, blue, 20 ft (6.1 m)

UC Bracket Assembly

UC Engine	Mini PC, Intel Core® processor with Windows® 10 IOT Edition OS and 100/1000 Mbps Ethernet connectivity
UC Client	Microsoft Teams Rooms with Skype® for Business software functionality
Management Client	XiO Cloud Service
Content Ingest	HDMI input via HDMI to USB 3.0 converter
Display Output	display support ¹
Display Output	1080p
Resolution	
Power	100-240VAC, 50/60 Hz adapter (included)
Construction	Metal mounting bracket, black, preassembled with UC-ENGINE-S-T and HD-CONV-USB-200

Mounting

Surface wall mount behind the display device, or attach to the rear of the display device via the bolts attaching the display to a VESA® compliant display mount; Bracket includes mounting holes on both side edges, spaced 100, 200, and 300 mm vertically, to allow for attachment to either side of the display mounting plate

Dimensions

Height: 15.00 in. (381 mm)
Width: 14.50 in. (368 mm)
Depth: 1.87 in. (48 mm) (UC Bracket Assembly with HD-CONV-USB-200)
1.93 in. (49 mm) (UC Bracket Assembly with HD-CONV-USB-300)

Models

UC-M50-T-UPGRD

Crestron Flex Medium Room Upgrade Solution with Microsoft Teams® Rooms

UC-M50-Z-UPGRD

Crestron Flex Medium Room Upgrade Solution with Zoom Rooms® Software

UC-MX50-T-UPGRD

Crestron Flex Advanced Medium Room Upgrade Solution with Microsoft Teams® Rooms

UC-MX50-Z-UPGRD

Crestron Flex Advanced Medium Room Upgrade Solution with Zoom Rooms® Software

Available Accessories

For a list of available accessories, visit the [UC-M50-T-UPGRD](#) product page.

UC-M50-T-UPGRD

Crestron Flex Medium Room Upgrade Solution with Microsoft Teams® Rooms

Notes:

1. Display must support "Wake on Sync" and "Sleep on No Sync" functionality. Consult the display manufacturer's specifications or internal settings of the specific display.
2. A maximum of two touch screens or one touch screen and one Crestron Mercury device can be accommodated by the system. Only one control device may be connected via direct connection method.
3. Room control capability (lighting, shades, thermostats, etc.) requires additional equipment and commissioning to be provided by a Crestron authorized integrator and/or programmer. Additional costs may apply.
4. The XiO Cloud service is a room based subscription service available separately.

This product may be purchased from select authorized Crestron dealers and distributors. To find a dealer or distributor, please contact the Crestron sales representative for your area. A list of sales representatives is available online at www.crestron.com/How-To-Buy/Find-a-Representative or contact us for additional information by visiting <https://www.crestron.com/contact/our-locations> for your local contact.

This product is covered under the Crestron standard limited warranty. Refer to www.crestron.com/warranty for full details.

The specific patents that cover Crestron products are listed online at patents.crestron.com.

Certain Crestron products contain open source software. For specific information, please visit www.crestron.com/opensource.

Crestron, the Crestron logo, and XiO Cloud are either trademarks or registered trademarks of Crestron Electronics, Inc. in the United States and/or other countries. HDMI is either a trademark or registered trademark of HDMI Licensing LLC in the United States and/or other countries. Intel Core is either a trademark or registered trademark of Intel Corporation in the United States and/or other countries. Microsoft Teams and Windows are either trademarks or registered trademarks of Microsoft Corporation in the United States and/or other countries. USB-C is either a trademark or registered trademark of USB Implementers Forum, Inc. in the United States and/or other countries. DisplayPort and VESA are either trademarks or registered trademarks of Video Electronics Standards Association in the United States and/or other countries. Other trademarks, registered trademarks, and trade names may be used in this document to refer to either the entities claiming the marks and names or their products. Crestron disclaims any proprietary interest in the marks and names of others. Crestron is not responsible for errors in typography or photography.

Specifications are subject to change without notice.

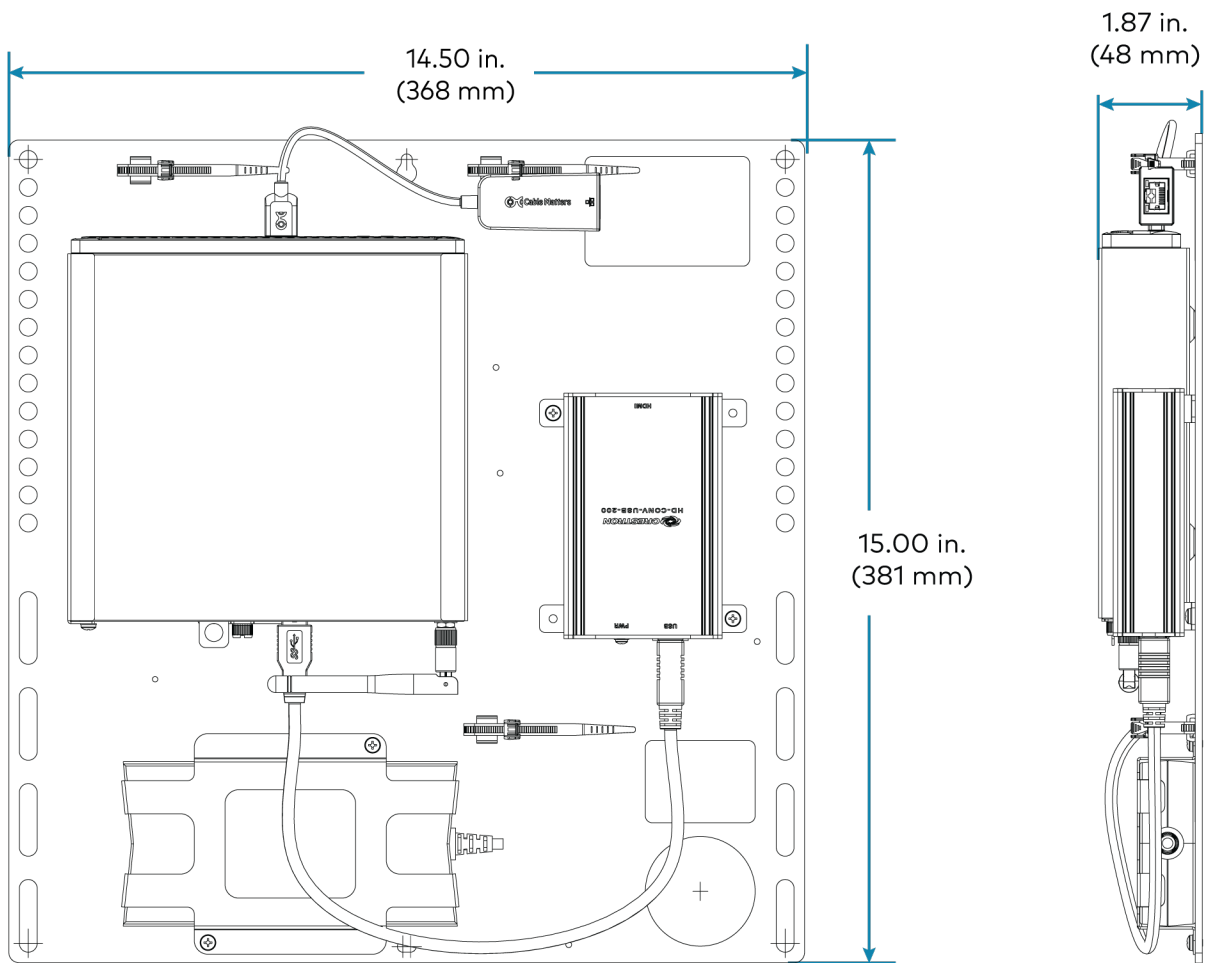
©2023 Crestron Electronics, Inc.

Rev 08/18/23

UC-M50-T-UPGRD

Crestron Flex Medium Room Upgrade Solution with Microsoft Teams® Rooms

UC Bracket Assembly with HD-CONV-USB-200



UC-M50-T-UPGRD

Crestron Flex Medium Room Upgrade Solution with Microsoft Teams® Rooms

UC Bracket Assembly with HD-CONV-USB-300

