

TSW-UMB-60/-60-PMK/-560P-PMK

Touch Screen Mounting Bracket/Kits

Installation Guide



Description

The Crestron® TSW-UMB-60 is a universal mounting bracket that can be used with the Crestron TSW-560, TSW-560P, TSW-760, and TSW-1060 touch screens. The TSW-UMB-60 is designed for postconstruction installation in existing drywall or paneling. The bracket is also suitable for use in a lectern or a podium.

For preconstruction applications, the TSW-UMB-60 can be installed along with the Crestron TSW-UMB-60-PMK or TSW-UMB-560P-PMK preconstruction mounting kits. The TSW-UMB-60-PMK and the TSW-UMB-560P-PMK permit fastening to the left- or right-hand stud of a framed wall prior to the installation of drywall for landscape and portrait touch screen installations, respectively.

NOTE: The TSW-560 ships with one TSW-UMB-60 and TSW-UMB-60-PMK. The TSW-560P ships with one TSW-UMB-60 and TSW-UMB-560P-PMK.

Additional Resources

Visit the product page on the Crestron website (www.crestron.com) for additional information and the latest firmware updates. Use a QR reader application on your mobile device to scan the QR image.



TSW-UMB-60



TSW-UMB-60-PMK



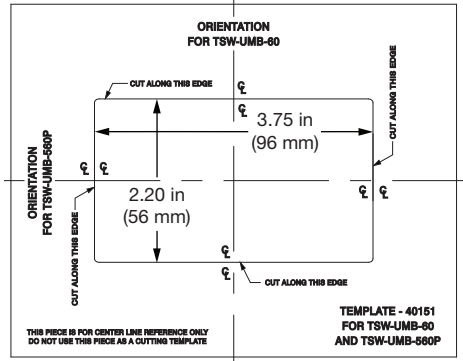
TSW-UMB-560P-PMK

TSW-UMB-60 Installation

Use the included cutout template to ensure that the correct dimensions are retained during the installation process.

The template provides dimensions for installing the bracket horizontally (for the TSW-560, TSW-760, or TSW-1060) and vertically (for the TSW-560P).

TSW-UMB-60 Cutout Template Dimensions



To install the TSW-UMB-60, follow the steps below:

CAUTION: Allow an air gap of at least 12" (305 mm) in the wall cavity above and below the TSW-UMB-60 for heat dissipation.

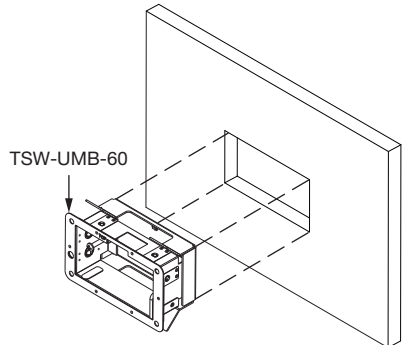
1. Place the included cutout template (40151) in the desired location, ensuring it is level. Place the template horizontally if installing the TSW-560, TSW-760, or TSW-1060, or place the template vertically if installing the TSW-560P.
2. Trace the cutout all the way around the opening, and then cut the hole with an appropriate drywall saw.

NOTE: Do not remove the screws holding the halves of the TSW-UMB-60 assembly together.

3. Loosen the two screws on the mounting bracket, and then install the assembly into the opening, bottom first, as shown in the illustrations that follow steps four and five.

For portrait mounting, install the assembly into the opening left side first so that the "TOP" text on the inside of the back box is facing to the right.

Installing the Assembly into the Opening

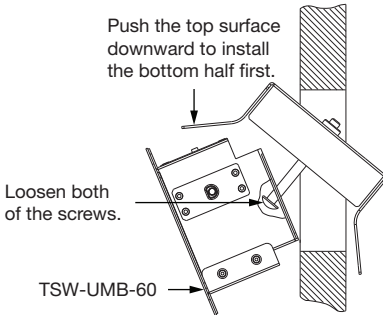


CAUTION: To avoid damage to the TSW-UMB-60, do not overtighten the screws.

- Reach into the TSW-UMB-60 assembly and push the rear half back to ensure it is fully behind the mounting surface. Ensure the front of the TSW-UMB-60 assembly is level.

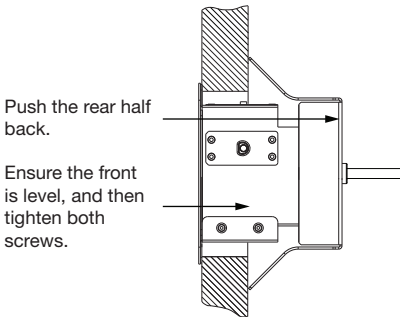
For portrait mounting, allow the bracket to angle into the opening (left side first) before tightening.

Pushing the Rear Half behind the Mounting Surface



- Tighten the two screws to complete the installation.

Completing the Assembly



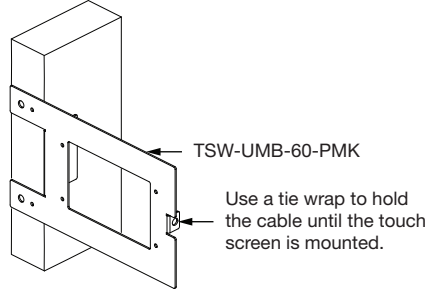
TSW-UMB-60/-560P-PMK Installation

The TSW-UMB-60-PMK supports preconstruction and postconstruction mounting applications for the TSW-560, TSW-760, and TSW-1060 touch screens, while the TSW-UMB-560P-PMK supports preconstruction and postconstruction mounting applications for the TSW-560P portrait touch screen.

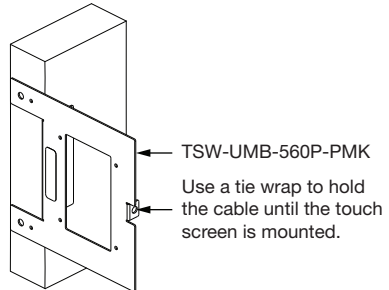
- For preconstruction applications, use standard drywall nails or screws to attach the PMK to a wall.

CAUTION: Allow an air gap of at least 12" (305 mm) in the wall cavity above and below the TSW-UMB-60 for heat dissipation.

Attaching the TSW-UMB-60-PMK to a Wall



Attaching the TSW-UMB-560P-PMK to a Wall



- For postconstruction applications, use the PMK as a cutout template by turning it to face the wall, ensuring it is level, and temporarily tacking it to the wall with finishing nails in the smaller holes around the cutout opening. Trace the cutout opening with an appropriate drywall saw.

Product warranty can be found at www.crestron.com/warranty.

The specific patents that cover Crestron products are listed at patents.crestron.com.

Certain Crestron products contain open source software. For specific information, please visit www.crestron.com/opensource.

Crestron and the Crestron logo are either trademarks or registered trademarks of Crestron Electronics, Inc. in the United States and/or other countries. Other trademarks, registered trademarks, and trade names may be used in this document to refer to either the entities claiming the marks and names or their products. Crestron disclaims any proprietary interest in the marks and names of others. Crestron is not responsible for errors in typography or photography.

This document was written by the Technical Publications department at Crestron.

©2017 Crestron Electronics, Inc.

Crestron Electronics, Inc.
15 Volvo Drive
Rockleigh, NJ 07647
Tel: 888.CRESTRON
Fax: 201.767.7576
www.crestron.com

Installation Guide
DOC. 7911C
(2047690)
06.17

Specifications subject to change without notice.