

TSW-560/760/1060-TTK and TSW-560/760/1060-SMK TableTop Kits and Swivel Mount Kit for TSW-560/760/1060

The Crestron® TSW-560-TTK, TSW-760-TTK, and TSW-1060-TTK are functionally identical. For simplicity within this guide, the term “TSW-560/760/1060-TTK” is used except where noted.

DO Prepare the TSW-560/760/1060-TTK

The TSW-560/760/1060-TTK includes parts for routing device cabling through either the bottom or rear of the unit.

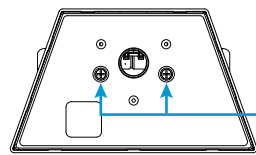
Routing the Cable through the Bottom of the TSW-560/760/1060-TTK

The TSW-560/760/1060-TTK has a circular opening in its metal base that allows an Ethernet cable to pass through the bottom, enabling network connection when the unit is attached to the TSW-560/760/1060-SMK Swivel Mount Kit (sold separately).

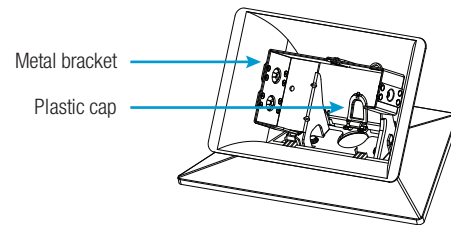
Routing the Cable through the Rear of the TSW-560/760/1060-TTK

Modification is necessary to install the TSW-560/760/1060-TTK on a flat surface. Replace the rear plastic cap with the provided grommet to route the Ethernet cable through the rear of the unit. The grommet serves as a strain relief on the cable.

1. Remove the two screws on the bottom of the unit that hold the metal bracket. Retain the metal bracket and screws.



Remove these screws to release the metal bracket.

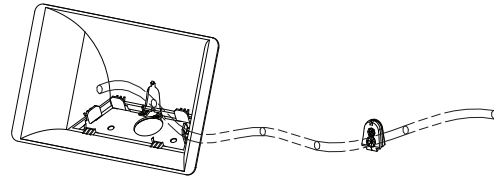


Metal bracket

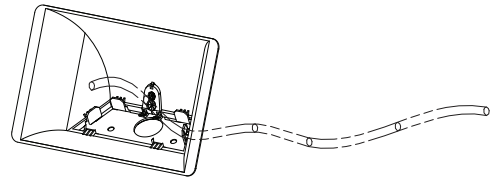
Plastic cap

Bottom of TSW-560/760/1060-TTK

2. Remove the rear plastic cap by pressing the top of the cap inward until it unsnaps.
3. Insert the Ethernet cable through the rear opening of the TSW-560/760/1060-TTK and attach the provided grommet to the cable.



4. Secure the grommet to the back of the TSW-560/760/1060-TTK by pressing it into place.



NOTE: For added security, refer to “DO Use the Security Option” and follow the procedure. For standard mounting, proceed to the next step.

5. Reinstall the metal bracket using the screws removed in step 1.

DO Mount the Touch Screen in the TSW-560/760/1060-TTK

To mount the touch screen:

1. Connect the Ethernet cable to the touch screen.
2. Gently pull excess cable out through the rear of the TSW-560/760/1060-TTK as the touch screen and tabletop kit converge.
3. Seat the touch screen in the TSW-560/760/1060-TTK fully to engage the spring-loaded retainers built into the metal bracket.

DO Check the Box

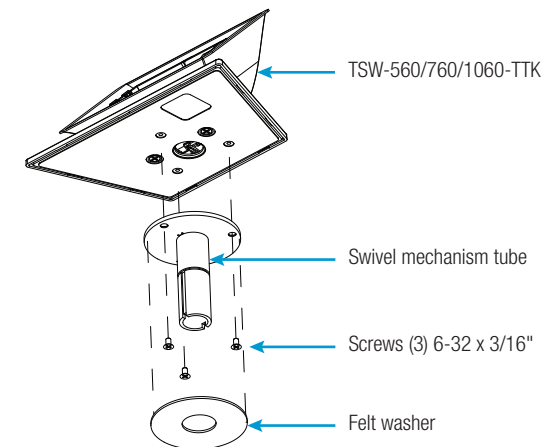
QUANTITY	ITEM	PART NUMBER
Items for TSW-560/760/1060-TTK Only		
2	Screw, M3 x 0.5 x 6 mm, Pan Head, Phillips	2047840
1	Template, Cutout	4525014
Items for TSW-560/760/1060-TTK-B-S Only		
1	Grommet, Rubber, Black	2047839
Items for TSW-560/760/1060-TTK-W-S Only		
1	Grommet, Rubber, White	2047838
Items for TSW-560/760/1060-SMK Only		
1	Nut, 7/8"-14	2017632
1	Plate, Swivel Stop	4504353
3	Screw, 6-32 x 3/16", Pan Head, Phillips	2007202
2	Screw, 8-32 x 1/8", Cap Head, Socket	2017634
6	Screw, 8-8B x 1/2", Pan Head, Phillips	2017784
1	Template, Cutout	4525014
1	Washer, 1.75" OD, 15/16" ID, 0.14" TH	2017633
1	Washer, Cork/Rubber, 1.75" OD, 0.94" ID, 1/16" TH	2017614
1	Washer, Felt, 2.65" OD, 0.93" ID	2024711
1	Washer, Keyed	4506321
1	Washer, Rubber, 1.75" OD, 0.94" ID, 1/16" TH	2017615

DO Assemble the TSW-560/760/1060-SMK

Assemble the Swivel Mount

To assemble the swivel mount:

1. Attach and secure the swivel mechanism tube to the bottom of the TSW-560/760/1060-TTK using the three included 6-32 x 3/16" screws.



2. Remove the paper liner from the felt washer and attach the washer to the bottom of the swivel mechanism tube.
3. If the Ethernet cable is routed to exit through the bottom of the TSW-560/760/1060-TTK, feed the full length of the cable through the swivel mechanism tube.
4. Use the included template to prepare the mounting surface.
5. Using the six mounting holes on the swivel stop plate as a template, drill pilot holes in the mounting surface. The holes should be 0.093" (2 mm) minimum diameter, 0.115" (3 mm) maximum diameter, and 0.35" (9 mm) maximum depth.
6. Attach the swivel stop plate to the bottom of the mounting surface using the six included 8-8B x 1/2" screws.
7. Pass the swivel mechanism tube attached to the TSW-560/760/1060-TTK down through the mounting hole and swivel stop plate.

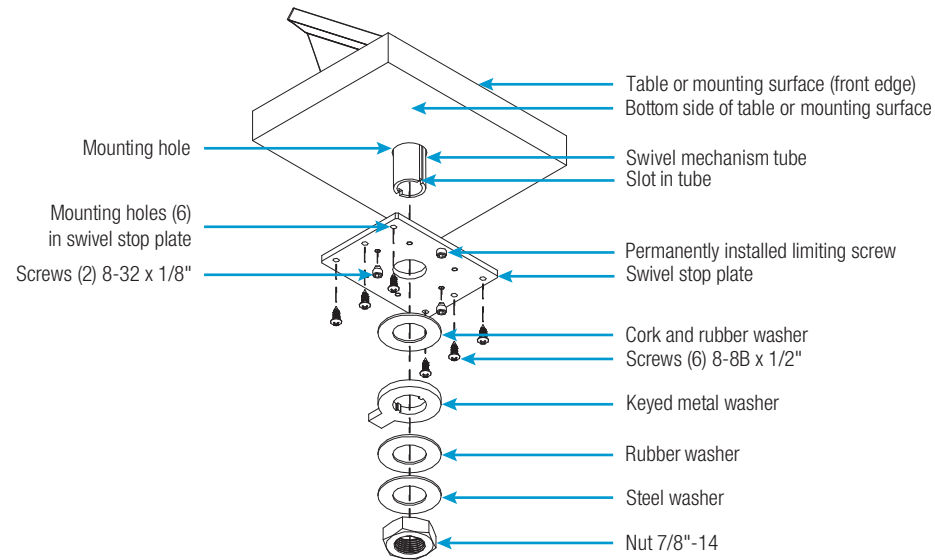
NOTE: The swivel stop plate has a permanently installed limiting screw to prevent the swivel mechanism from spinning and tangling the touch screen cable.



- Attach or slide the included hardware up onto the swivel mechanism tube in the order indicated in the illustration that follows step 9.

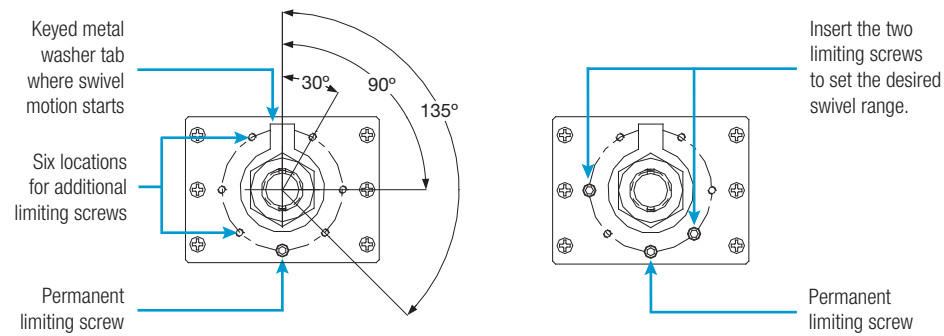
NOTE: Orient the keyed metal washer tab to face away from the permanently installed limiting screw.

- Adjust the tightness of the 7/8"-14 nut to achieve the desired swivel assembly motion resistance. Use a flat tool, such as a large flat-head screwdriver, in the slot on the bottom of the swivel mechanism tube to hold the tube steady while tightening the nut.



Customize the Swivel Range

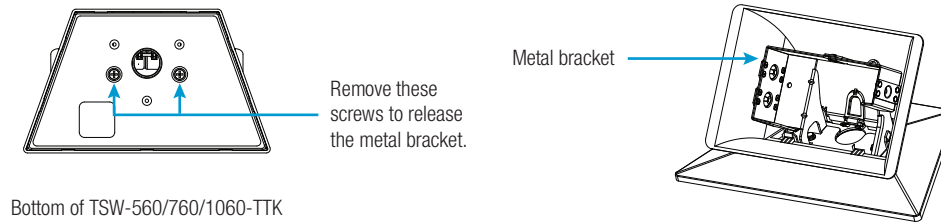
Reposition the two 8-32 x 1/8" screws placed on the swivel stop plate to customize the swivel range (330-degree rotation, maximum). Refer to the following illustrations for details.



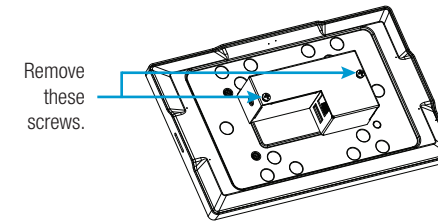
DO Use the Security Option

Use the two included M3 x 0.5 x 6 mm screws to lock the touch screen to the TSW-560/760/1060-TTK.

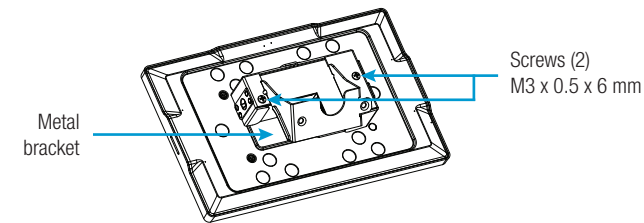
- Remove the two screws on the bottom of the unit that hold the metal bracket. Retain the metal bracket and screws.



- Place the touch screen face down on a clean, soft cloth (not provided) and remove the two 1/2" long screws from the rear assembly. Retain these screws to restore the touch panel without the security option, if necessary.



- Secure the metal bracket to the rear assembly.



- Position the bracket correctly (right side up, as shown above).
 - Secure the bracket with two included M3 x 0.5 x 6 mm screws. To prevent damage to threads, turn each screw counterclockwise until it engages the thread.
 - Tighten the screws to 3 in/lb.
- Secure the touch screen to the TSW-560/760/1060-TTK.
 - Connect the Ethernet cable to the touch screen while it remains face down.
 - Position the TSW-560/760/1060-TTK over the touch screen and gently pull any excess cable out through the rear of the tabletop accessory until the two units come together.
 - Secure the TSW-560/760/1060-TTK to the touch screen with the two screws removed in step 1.

DO Learn More

Visit the website for additional information and the latest firmware updates. To learn more about this product, use a QR reader application on your mobile device to scan the QR image.

Crestron Electronics
15 Volvo Drive, Rockleigh, NJ 07647
888.CRESTRON | www.crestron.com



The specific patents that cover Crestron products are listed at www.crestron.com/legal/patents.
The product warranty can be found at www.crestron.com/legal/sales-terms-conditions-warranties.
Certain Crestron products contain open source software. For specific information, visit www.crestron.com/legal/open-source-software.
Crestron and the Crestron logo are either trademarks or registered trademarks of Crestron Electronics, Inc., in the United States and/or other countries. Other trademarks, registered trademarks, and trade names may be used in this document to refer to either the entities claiming the marks and names of their products. Crestron disclaims any proprietary interest in the marks and names of others. Crestron is not responsible for errors in typography or photography.
This document was written by the Technical Publications department at Crestron.
©2018 Crestron Electronics, Inc.