

# GLA-IS-360B by Steinel

Ceiling Mount Outdoor Occupancy Sensor



Item No.	black
Voltage	120 VAC, 60 Hz
Maximum Wattage	0-600 watt tungsten 0-300 watt ballast
Sensing Technology	passive infrared (PIR)
Time Delay Setting	10 seconds to 15 minutes
Mounting	ceiling
Light Level Setting	.2-200 footcandles, 2-2000 lux
Environment	IP54 raintight rated, -4°F to +122°F, -20°C to +50°C
Coverage	360° up to 40 foot reach (12.2 m)
Sensors	3 dual element infrared pyroelectric detectors
Lens Design	720 switching zones, 10 levels
Dimensions (LxWxD)	4.7 x 4.7 x 3.9 in 120 x 120 x 100 mm
Warranty	5 years
Certifications	C-UL-US Listed, CSA Approved RoHS Compliant

The STEINEL IS 360 occupancy sensor is raintight for safe reliable operation indoors and out.

The sensors are passive infrared and respond to heat radiated from moving persons or other heat-emitting objects (such as vehicles). They automatically turn lights on when presence is detected and off when a space is left vacant.

For unmatched coverage, the IS 360 incorporates three highly sensitive pyroelectric sensors that provide reliable, uninterrupted 360 coverage.

### Applications

Interior applications that includes vestibules and garages. Exterior applications that includes entryways, carports, balconies, building soffits.

### Key Features:

- 360° coverage with up to 40 ft reach
- 720 switching zones for highly accurate small motion detection
- Coverage area may be customized with supplied snap-on shrouds and through fine-tune rotation adjustment
- Precision molded lens is distortion free and watertight
- Detects motion directly beneath sensor for immediate detection
- Light level feature allows lighting to remain off during daylight regardless of occupancy
- Automatically adjusts to temperature changes keeping sensitivity and coverage consistent
- Built in surge protection with auto-reset
- Raintight IP54 rated; suitable for interior or exterior use



Voltage



Passive Infrared Technology



360° Coverage



IP54 Rated



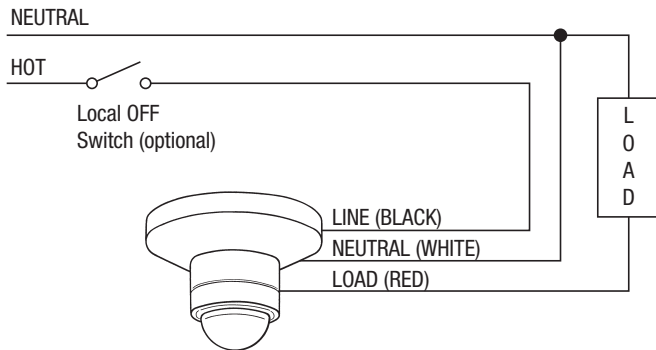
Mounting

# GLA-IS-360B by Steinel

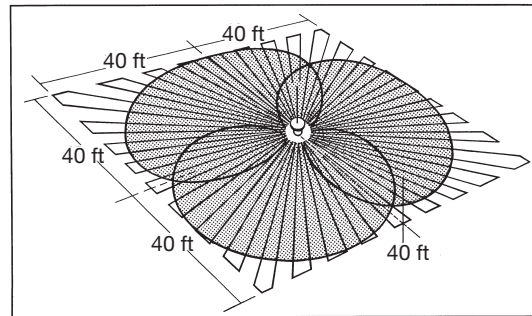
## Ceiling Mount Outdoor Occupancy Sensor



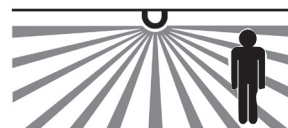
### Wiring



### Coverage

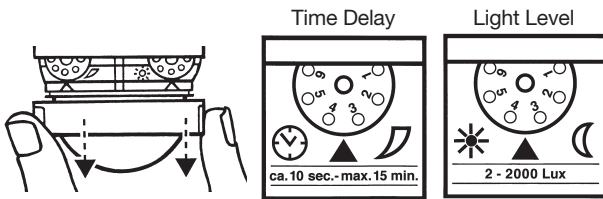


Typical mounting height is 8 to 12 ft



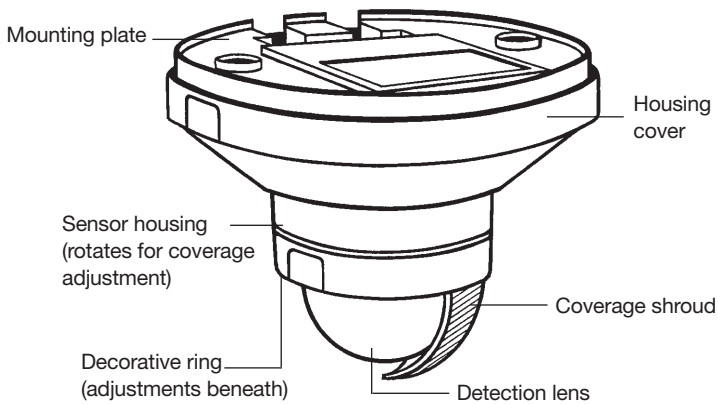
The IS 360's unique 180° angle of aperture enables the sensor to see straight out for greater coverage

### Settings

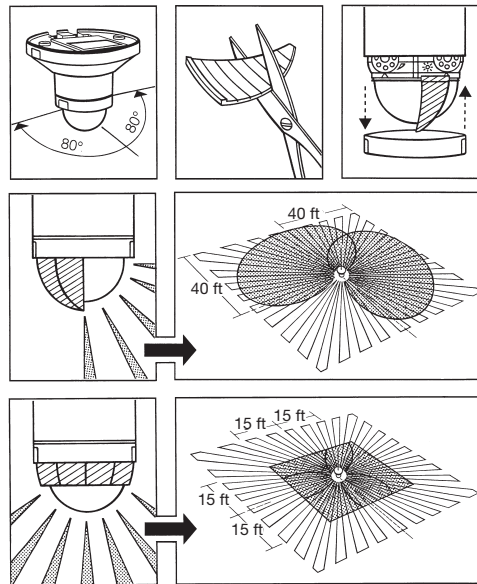


Thumbdial adjustments for time delay and light level are located beneath the decorative cover

### Controls



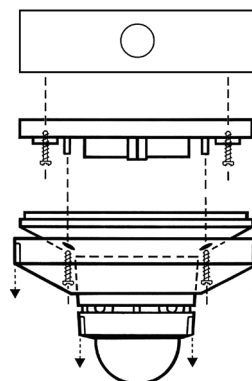
### Coverage Adjustment



Fine tune coverage adjustment is possible by rotating the sensor housing.

Shrouds, supplied with each unit, snap in place, allowing users to adjust coverage as needed.

### Mounting



The IS 360 mounts to a NEMA 4 inch watertight round J-box outdoors and a standard octagon 4 inch J-box indoors