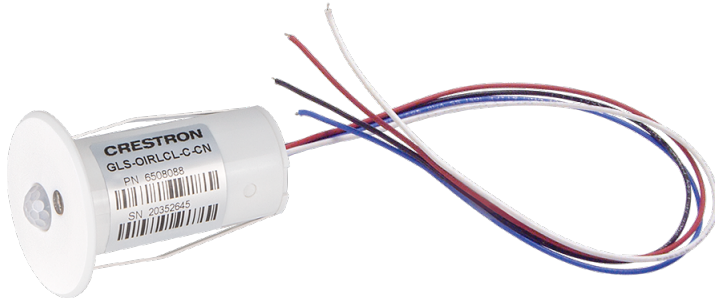


GLS-OIRLCL-C-CN

Ceiling Mount Passive Infrared Occupancy and Daylight Sensor, Cresnet® Wired



- Flush ceiling mount occupancy or vacancy sensor
- Passive infrared (PIR) motion detection
- Fully digital circuitry, highly accurate and reliable performance
- 450 sq ft (42 sq m) rectangular detection pattern
- Vacancy-only mode with grace occupancy
- Adjustable sensitivity and timeout
- Short timeout "walk-through" mode
- Built-in closed-loop photosensor for daylight harvesting
- Monitors ambient light level from natural and artificial light sources
- Enables automation of lighting, shading, HVAC, and AV equipment
- Reduces wasteful energy consumption
- Maintains consistent lighting levels
- Crestron XiO Cloud™ service integration
- Miniaturized construction for a nearly hidden appearance
- IP64 dust-proof and splash-proof
- Cresnet® wired control system interface
- 24VDC powered via Cresnet network
- Color-coded flying lead connections
- Easy setup via software or IR remote (sold separately)
- Installs quickly in a 1 in. (25 mm) diameter hole
- Optional MMK-RS pre-construction mounting kit (sold separately) allows for simplified rough-in for wiring and positioning, as well as an option to completely flush mount the sensor

Crestron® occupancy sensors and daylight sensors offer a powerful, cost-saving solution for reducing energy consumption and enhancing system functionality. As part of a complete Crestron system, they can be used to enable automation of lighting, shading, HVAC, and AV equipment in a conference room, classroom, office, hallway, or other space. Using Crestron sensors, room lighting can automatically turn on when the room is occupied, turn off when it is vacant, and dim to a lower level when there is sufficient natural daylight from windows and skylights. Sensors can also be used to enhance the capabilities of a room scheduling, asset management, or energy monitoring solution through integration with the Crestron XiO Cloud™ service

The [GLS-OIRLCL-C-CN](#) serves dual functions as a passive infrared occupancy sensor and closed-loop photocell daylight sensor (photosensor). It can also operate in vacancy-only mode, and is designed to cover an area up to 450 sq ft (42 sq m). Miniaturized construction affords a nearly hidden appearance when installed in a drywall or drop-tile ceiling. It communicates with a Crestron control system via the Cresnet® network. Setup and configuration is accomplished using Crestron Toolbox™ software or the optional IR remote ([GLS-REMOTE-ODT/OIR](#), sold separately).

Passive Infrared Occupancy Sensing

Passive infrared (PIR) technology employs a highly sensitive, specialized lens that divides the field-of-view into sensor zones. The sensor detects motion when a person passes between zones, achieving dependable motion detection with superior immunity to false triggering from vibrations, inanimate objects, or movement in an adjacent corridor. The detection sensitivity is adjustable for optimum performance. Timeout can be set from 30 seconds to 30 minutes to maintain occupied status during short periods of inactivity.

Walk-Through Mode

Walk-through mode turns off the lights quickly when a room is occupied for a short period of time. When Walk-through mode is enabled and a room is occupied for 90 seconds or less, the lights will turn off 60 seconds after the room is vacated.

Grace Occupancy

When the lights turn off in a room programmed to vacancy only mode, a 15 second grace period starts during which the room lights can be turned on again by simply waving a hand to trigger the sensor.

Daylight Sensing

A built-in photosensor detects the amount of ambient light in the room. This allows daylight harvesting to be performed which can dim or keep the lights off when there is sufficient daylight in the room.

GLS-OIRLCL-C-CN

Ceiling Mount Passive Infrared Occupancy and Daylight Sensor, Cresnet® Wired

Ceiling Flush Mount Installation

The GLS-OIRLCL-C-CN achieves a discreet, nearly hidden appearance when installed on a typical drywall or drop tile ceiling. The GLS-OIRLCL-C-CN is designed to install in a 1 in. (25 mm) diameter hole and is held in place by the integrated compression clips.

Use with the [MMK-RS](#) (sold separately) to simplify the wiring and sensor positioning during the rough-in stage of construction. The MMK-RS has an option to completely flush mount the sensor and make it virtually hidden on a wall.

Room Usage Monitoring

The GLS-OIRLCL-C-CN is compatible with the Crestron XiO Cloud™ service, which is an IoT (Internet of Things) based platform for remotely provisioning, monitoring, and managing Crestron devices across an enterprise or an entire client base. Built on the Microsoft® Azure® software platform and utilizing Microsoft's industry leading Azure IoT Hub technology, Crestron XiO Cloud enables installers and IT managers to deploy and manage thousands of devices in the time it previously took to manage just one. Unlike other virtual machine based cloud solutions, Azure services provide unlimited scalability to suit the ever growing needs of an enterprise. For more information, visit www.crestron.com/xiocloud.

Cresnet® Wired Communication

The GLS-OIRLCL-C-CN uses the dependable Cresnet wired network for communication between devices. Cresnet provides a simple solution for configuring and wiring keypads and sensors as part of any complete Crestron system. Cresnet is the communications backbone for Crestron lighting dimmers, keypads, shades, thermostats, and many other devices. This flexible 4-wire bus provides data communications and 24VDC power for all of the devices on the Cresnet network.

Specifications

Motion Sensing

Motion Detection Technology	Passive infrared (PIR) motion detection, 64 detection zones
Coverage Area	450 sq ft (42 sq m)
Coverage Pattern	Rectangular, 18.57 x 24.34 ft (5.66 x 7.42 m), with 8.2 ft (2.5 m) ceiling height
Maximum Ceiling Height	16.4 ft (5 m)

Light Sensing

Sensor Technology	Closed-loop photocell
--------------------------	-----------------------

Light Sensitivity	0 to 1000 lux (0 to 93 foot-candles)
Field of View	360° hemispherical

Controls and Indicators

LED	(1) Bi-color red/green LED, indicates detection of motion and other functions during setup (may also be enabled to indicate detection of motion during normal operation if desired)
Beep Tone	Indicates detection of motion and other functions during setup
IR Remote (Sold Separately)	OCC/VAC/EXIT SETUP: Enters or exits occupancy or vacancy setup mode; TIMEOUT: Selects 0.5, 2, 5, 10, 15, or 30 minutes; SHORT TIMEOUT: Enables or disables "walk-through" mode, which temporarily sets timeout to 60 seconds if occupancy is detected for less than 90 seconds; LED: Enables or disables visible indication of motion detection during normal operation; PIR SENSITIVITY: Selects high, medium, low, or off; SET ID: Enables network ID to be set using the numeric keypad; RESET: Restores factory settings; FORCE VAC: Puts sensor into vacant state

Connections

(4) flying leads;
Cresnet® network connection

Power Requirements

Current Consumption	625 mW
Cresnet Power Usage	1 W (42 mA @ 24VDC)

Environmental

Temperature	-4° to 140°F (-20° to 60°C)
Storage Temperature	-4° to 158°F (-20° to 70°C)
Humidity	15% to 85% RH (noncondensing)
Ingress Protection	IP64 rated per IEC 60529
Heat Dissipation	<3.4 BTU/hr

Construction

Housing	Plastic, cylindrical, white
----------------	-----------------------------

GLS-OIRLCL-C-CN

Ceiling Mount Passive Infrared Occupancy and Daylight Sensor, Cresnet® Wired

Mounting Drywall or ceiling tile mountable in a 1 in. (26 mm) diameter round hole, integrated compression clips hold the sensor in place, protrudes 0.2 in. (5 mm) from wall surface;
Flush drywall mount or non-drywall surface mount with [MMK-RS](#) mounting kit (sold separately)

Dimensions

Diameter 1.50 in. (39 mm)
Depth 2.15 in. (55 mm);
Protrudes 0.2 in. (5 mm) from ceiling surface

Weight

1 oz (28 g)

Compliance

CE, IC, FCC Part 15 Class B digital device

Model

GLS-OIRLCL-C-CN

Ceiling Mount Passive Infrared Occupancy and Daylight Sensor, Cresnet® Wired

Available Accessories

For a list of available accessories, visit the [GLS-OIRLCL-C-CN](#) product page.

This product may be purchased from select authorized Crestron dealers and distributors. To find a dealer or distributor, please contact the Crestron sales representative for your area. A list of sales representatives is available online at www.crestron.com/How-To-Buy/Find-a-Representative or contact us for additional information by visiting www.crestron.com/contact/our-locations for your local contact.

The original language version of this document is U.S. English. All other languages are a translation of the original document.

The product warranty can be found at www.crestron.com/warranty.

The specific patents that cover Crestron products are listed online at www.crestron.com/legal/patents.

Certain Crestron products contain open source software. For specific information, please visit www.crestron.com/opensource.

Crestron, the Crestron logo, Cresnet, Crestron Toolbox, and Crestron XiO Cloud are either trademarks or registered trademarks of Crestron Electronics, Inc. in the United States and/or other countries. Azure and Microsoft are either trademarks or registered trademarks of Microsoft Corporation in the United States and/or other countries. Other trademarks, registered trademarks, and trade names may be used in this document to refer to either the entities claiming the marks and names or their products. Crestron disclaims any proprietary interest in the marks and names of others. Crestron is not responsible for errors in typography or photography.

Specifications are subject to change without notice.

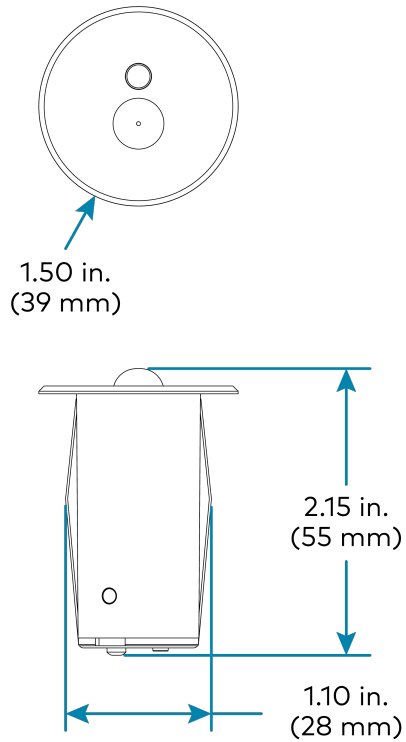
©2024 Crestron Electronics, Inc.

Rev 02/05/24

GLS-OIRLCL-C-CN

Ceiling Mount Passive Infrared Occupancy and Daylight Sensor, Cresnet® Wired

Dimension Drawings



GLS-OIRLCL-C-CN

Ceiling Mount Passive Infrared Occupancy and Daylight Sensor, Cresnet® Wired

PIR Detection Pattern

