

Crestron **HBK-3000 & SMK-3000**  
Hatchback and Swivel Mount Kits  

---

Installation Guide



**CRESTRON**

This document was prepared and written by the Technical Documentation department at:



Crestron Electronics, Inc.  
15 Volvo Drive  
Rockleigh, NJ 07647  
1-888-CRESTRON

# Contents

<b>Hatchback &amp; Swivel Mount Kits: HBK-3000 &amp; SMK-3000</b>	<b>1</b>
Description.....	1
Supplied Hardware.....	2
Installation.....	2
HBK-3000 Assembly/Installation Procedure.....	2
SMK-3000 Assembly/Installation Procedure.....	3
Further Inquiries.....	6
Future Updates.....	6
Return and Warranty Policies.....	7
Merchandise Returns / Repair Service.....	7
CRESTRON Limited Warranty.....	7



# **Hatchback & Swivel Mount Kits: HBK-3000 & SMK-3000**

---

## **Description**

The Hatchback and Swivel Mount Kits, HBK-3000 and SMK-3000 (each sold separately), are designed for attachment to the Crestron TPS-3000 tilt touchpanels.

The HBK-3000 hatchback is a sleekly designed rear-cover option that provides cable management, wire strain relief, and prevents unauthorized users from disconnecting the touchpanel. The wire exit hole at the rear of the HBK-3000 is sized to accommodate all cables that would typically be connected to the touchpanel. These include the Crestron-furnished 10- and 8-position, Siamese network/video and audio cable, an RS-232 cable, and a headphone cable. (Cables not provided with HBK-3000 or SMK-3000 kits.)

The SMK-3000 swivel mount accessory reduces the chance of theft while improving viewing convenience. The base rotates 330 degrees, mounts on the desktop, in a lectern, or on a conference table, and accommodates surface thicknesses from 3/4-inch minimum to 1 3/8-inches maximum, using the hardware provided. The swivel mount kit includes the same mounting bracket, rear cover, and attaching screws as the HBK-3000 option, which covers the cable connections. Routing the cables down through the center of the swivel assembly keeps the cables completely hidden from the work surface.

## Supplied Hardware

The hardware supplied in the kits is listed in the following table.

### *Supplied Hardware of the HBK-3000 and SMK-3000 (Hatchback & Swivel Mount Kits)*

<b>HBK-3000</b>	<b>SMK-3000*</b>
One (1) Metal Bracket	One (1) Swivel Mount Assembly
One (1) Plastic Cover	One (1) Metal Bracket
Four (4) Screws 4-40 X 3/16 inch	One (1) Metal Plate
	One (1) Plastic Cover
	Sixteen (16) Screws
	(4) 4-40 X 3/16-inch
	(4) 6-32 X 1/2-inch
	(4) 8-32 X 5/8-inch
	(4) 8-32 X 1-inch

\* The SMK-3000 mounting kit includes a template for preparing the mounting surface.

## Installation

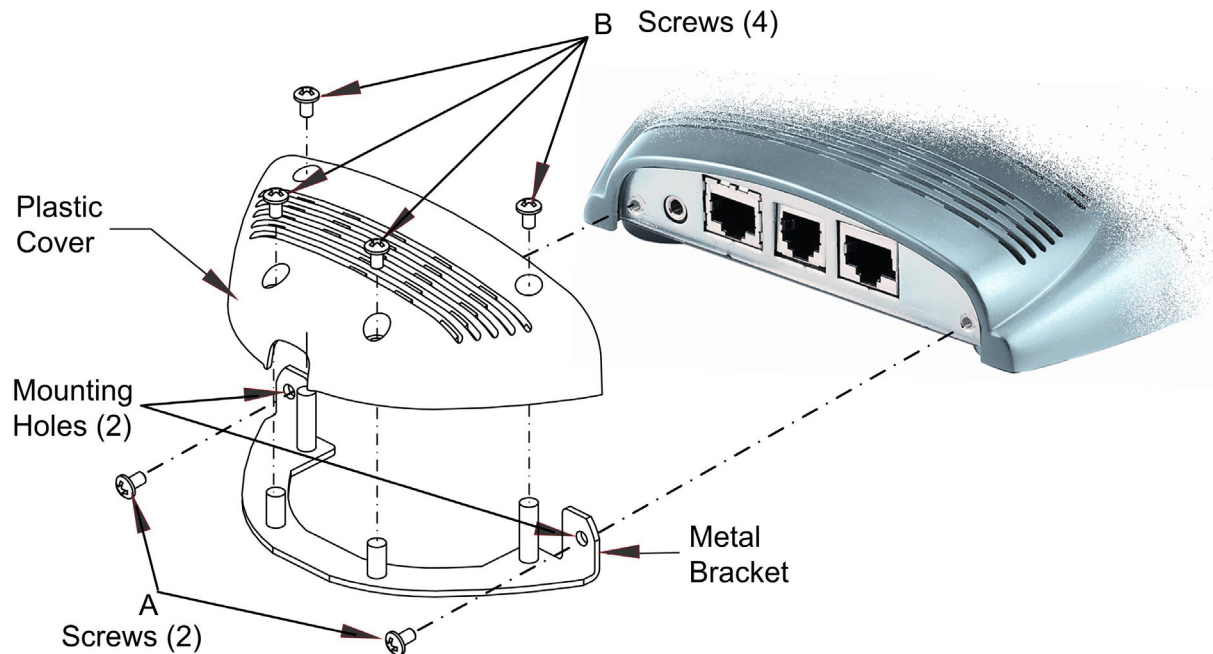
This section provides an installation procedure for each kit. The only tools required are #1, #2, and #3 Phillips screwdrivers.

### **HBK-3000 Assembly/Installation Procedure**

To attach the HBK-3000 Hatch Back Kit to the TPS-3000 Touchpanel, refer to the illustration on page 3 and perform the associated procedures.

1. Remove the two screws **A** from the rear of the touchpanel that correspond to the holes in the mounting tabs of the Metal Bracket.
2. Put the Metal Bracket in position on the rear of the touchpanel base (mounting holes should align, and standoff posts should be oriented as shown in the illustration). Secure the Metal Bracket to the touchpanel using the two screws **A** removed in step 1.
3. Make certain cable connections are secure, put the Plastic Cover in position with the cables routed through the rear opening. Secure the cover to the Metal Bracket using the four # 4-40X 3/16-inch screws **B** supplied.

*HBK-3000 Assembly View*



## **SMK-3000 Assembly/Installation Procedure**

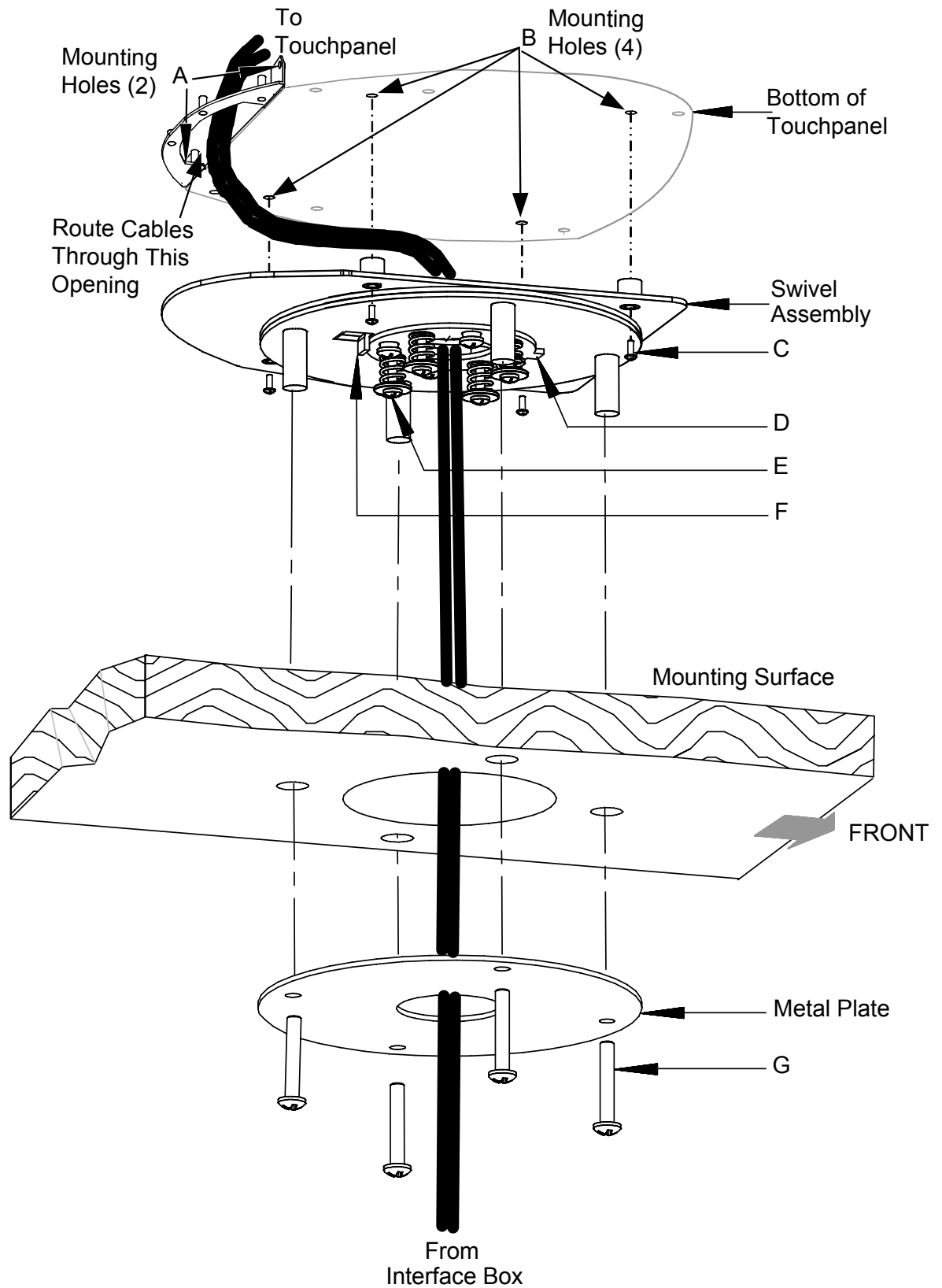
To attach the SMK-3000 Swivel Mount Kit to the TPS-3000 Touchpanel and install the assembly on a suitable mounting surface, refer to the following procedures and the illustration on page 5.

1. Prepare the mounting surface using the template provided with the kit. The center hole for the swivel assembly should be 2.5-inches minimum; 2.6-inches maximum. Position the template so that the edge indicated as 'front' aligns with desired front position of the touchpanel. Observe the dashed line indicating front edge of the touchpanel base to ensure the touchpanel will not overhang the mounting surface.
2. If necessary, to prevent errors when reconnecting, label and disconnect any cables connected to the touchpanel.
3. Place the touchpanel face down on a padded surface to prevent damage to the display screen. Adjust tilt angle if needed. Avoid putting pressure on the display housing.
4. Refer to the assembly view for the HBK-3000 Hatchback Kit above and remove the two screws **A** from the rear of the touchpanel that correspond to the Mounting Holes in the Metal Bracket.

5. Put the Metal Bracket in position on the rear of the touchpanel base (mounting holes should align, and standoff posts should be oriented as shown in the illustration). Secure the Metal Bracket to the touchpanel using the two screws **A** removed in step 4.
6. Refer to the illustration on page 5, and route the cables from the interface box up through the Metal Plate, through the mounting surface and through the Swivel Assembly, then through the area of the bracket shown in the figure, and connect to the appropriate touchpanel ports. Route the cables carefully to avoid chafing.
7. Being careful to avoid damage to the cables, attach the Swivel Assembly to the base of the touchpanel, using the supplied four #6-32 X 1/2 inch screws **C** through the swivel assembly standoff posts into the threaded holes in the touchpanel base. Make certain the cables are not twisted or crimped and have sufficient slack at the port connections before fully tightening the screws.
8. Make certain tab **D** is positioned to the front of the swivel assembly, and that it is directly opposite bent tab **F**, and place the touchpanel and swivel mount assembly down on the Mounting Surface.
9. Hold the Metal Plate in position under the mounting surface and secure the assembly in place using the #8-32 screws **G** provided (use the 5/8-inch screws for surfaces 3/4-inch to 1 1/8-inches thick; use the 1-inch screws for surfaces 1 1/8 to 1 3/8 inches thick). Use screws **E** to adjust tension of the swivel assembly.
10. Again, refer to the HBK-3000 illustration on page 3, and put the Plastic Cover in position and secure to the Metal Bracket using the four #4-40 X 3/16-inch screws **B** supplied.



***SMK-3000 Swivel Mount Kit Assembly Diagram***



## **Further Inquiries**

If after reviewing this Installation Guide, you cannot locate specific information or have questions, please take advantage of Crestron's award winning customer service team by calling:

- In the US and Canada, call Crestron's corporate headquarters at 1-888-CRESTRON [1-888-273-7876].
- In Europe, call Crestron International at +32-15-50-99-50.
- In Asia, call Crestron Asia at +852-2341-2016.
- In Latin America, call Crestron Latin America at +5255-5093-2160.
- In Australia and New Zealand, call Crestron Pacific at +613-9480-2999.

As of the date of manufacture, the HBK-3000 and SMK-3000 have been tested and found to comply with specifications for CE marking.



---

## **Future Updates**

As Crestron improves functions, adds new features, and extends the capabilities of the HBK-3000 or SMK-3000, additional information may be made available as manual updates. These updates are solely electronic and serve as intermediary supplements prior to the release of a complete technical documentation revision.

Check the Crestron website ([www.crestron.com](http://www.crestron.com)) periodically for manual update availability and its subjective value. Updates are available from the Downloads | Product Manuals section and are identified as an “Addendum” in the Download column.

## **Return and Warranty Policies**

### **Merchandise Returns / Repair Service**

1. No merchandise may be returned for credit, exchange, or service without prior authorization from CRESTRON. To obtain warranty service for CRESTRON products, contact the factory and request an RMA (Return Merchandise Authorization) number. Enclose a note specifying the nature of the problem, name and phone number of contact person, RMA number, and return address.
2. Products may be returned for credit, exchange, or service with a CRESTRON Return Merchandise Authorization (RMA) number. Authorized returns must be shipped freight prepaid to CRESTRON, Cresskill, N.J., or its authorized subsidiaries, with RMA number clearly marked on the outside of all cartons. Shipments arriving freight collect or without an RMA number shall be subject to refusal. CRESTRON reserves the right in its sole and absolute discretion to charge a 15% restocking fee, plus shipping costs, on any products returned with an RMA.
3. Return freight charges following repair of items under warranty shall be paid by CRESTRON, shipping by standard ground carrier. In the event repairs are found to be non-warranty, return freight costs shall be paid by the purchaser.

### **CRESTRON Limited Warranty**

CRESTRON ELECTRONICS, Inc. warrants its products to be free from manufacturing defects in materials and workmanship under normal use for a period of three (3) years from the date of purchase from CRESTRON, with the following exceptions: disk drives and any other moving or rotating mechanical parts, pan/tilt heads and power supplies are covered for a period of one (1) year; touchscreen display and overlay components are covered for 90 days; batteries and incandescent lamps are not covered.

This warranty extends to products purchased directly from CRESTRON or an authorized CRESTRON dealer. Purchasers should inquire of the dealer regarding the nature and extent of the dealer's warranty, if any.

CRESTRON shall not be liable to honor the terms of this warranty if the product has been used in any application other than that for which it was intended, or if it has been subjected to misuse, accidental damage, modification, or improper installation procedures. Furthermore, this warranty does not cover any product that has had the serial number altered, defaced, or removed.

This warranty shall be the sole and exclusive remedy to the original purchaser. In no event shall CRESTRON be liable for incidental or consequential damages of any kind (property or economic damages inclusive) arising from the sale or use of this equipment. CRESTRON is not liable for any claim made by a third party or made by the purchaser for a third party.

CRESTRON shall, at its option, repair or replace any product found defective, without charge for parts or labor. Repaired or replaced equipment and parts supplied under this warranty shall be covered only by the unexpired portion of the warranty.

Except as expressly set forth in this warranty, CRESTRON makes no other warranties, expressed or implied, nor authorizes any other party to offer any other party to offer any warranty, including any implied warranties of merchantability or fitness for a particular purpose. Any implied warranties that may be imposed by law are limited to the terms of this limited warranty. This warranty statement supercedes all previous warranties.

#### **Trademark Information**

*All brand names, product names, and trademarks are the sole property of their respective owners. Windows is a registered trademark of Microsoft Corporation. Windows95/98/Me/XP and WindowsNT/2000 are trademarks of Microsoft Corporation.*



---

**Crestron Electronics, Inc.**  
15 Volvo Drive Rockleigh, NJ 07647  
Tel: 888.CRESTRON  
Fax: 201.767.7576  
[www.crestron.com](http://www.crestron.com)

**Installation Guide – DOC. 6110**  
**10.02**

Specifications subject to  
change without notice.