



DMPS Lite™ & DM Lite™
Design Guide

Simple Room Solutions

Plug-and-play DMPS Lite and DM Lite solutions cover all the bases in smaller spaces. Cost-effective. Flexible. No programming needed.



EDUCATION



ENTERPRISE



GOVERNMENT



RETAIL



HOSPITALITY



DMPS LITE

MULTISOURCE-TO-DISPLAY

DMPS Lite products give you a high-value all-in-one AV solution for classrooms, huddle rooms, and small collaboration rooms. DMPS Lite expands your reach into spaces that require more than a DM Lite source-to-display solution alone, but less than an all-in-one DMPS3 Series system.



KEY BENEFITS

- 4K video scaler
- Standalone web configuration with auto-routing and display control
- Ability to upgrade and monitor via Crestron XiO Cloud™ service
- Audio amplification (410 and 510 models only)
- Fits your existing infrastructure – no new wires to run
- Improved network connectivity for high-traffic networks



Products

For full product line and more information visit <https://crestron.com/en-US/Products/Featured-Solutions/DMPS-Lite>

SWITCHERS AND RECEIVERS



HD-RX-4K-210-C-E

4K Multiformat 2x1 AV Switcher and Receiver



HD-RX-4K-210-C-E-POE

4K Multiformat 2x1 AV Switcher and Receiver w/ POE



HD-RX-4K-410-C-E

4K Multiformat 4x1 AV Switcher and Receiver



HD-RX-4K-410-C-E-SW4

4K Multiformat 4x1 AV Switcher and Receiver with 4-Port Ethernet Switch



HD-RX-4K-510-C-E

4K Multiformat 5x1 AV Switcher and Receiver



HD-RX-4K-510-C-E-SW4

4K Multiformat 5x1 AV Switcher and Receiver with 4-Port Ethernet Switch

DM LITE

SOURCE-TO-DISPLAY

Mix-and-match versatile DM Lite transmitters and receivers to create simple systems for most spaces. DM Lite delivers a winning combination of low-cost, yet high-performance. Pair them based on form factor and the type of signals that need to be transmitted along with HDMI®.



KEY BENEFITS

- Switching and transport of 4K signals over certified cabling
- Mix-and-match DM Lite transmitters and receivers to support the signal extension you need
 - Audio
 - Video
- Interoperable with DMPS Lite products



Products

For full product line and more information visit <https://crestron.com/en-US/Products/Featured-Solutions/DMPS-Lite>

TRANSMITTERS



HD-TX-101-C-1G

HDMI over CATx Transmitter, Wall Plate



HD-TX-101-C-E

HDMI over CATx Transmitter, Surface Mount



HD-TX-201-C-2G-E

HDMI over CATx Transmitter & 2x1 Auto-Switcher w/VGA & Analog Audio, Wall Plate



HD-TX-301-C-E

HDMI over CATx Transmitter & 3x1 Auto-Switcher w/2x HDMI plus VGA & Analog Audio, Surface Mount

RECEIVERS



HD-RX-101-C-1G-E

HDMI over CATx Receiver, Wall Plate



HD-RXC-101-C-1G-E

HDMI over CATx Receiver w/IR & RS-232, Wall Plate



HD-RX-101-C-E

HDMI over CATx Receiver, Surface Mount



HD-RX-201-C-E

HDMI over CATx Receiver, Room Controller, 2x1 Auto-Switcher, HD Scaler, Surface Mount



EDUCATION

Higher learning institutions are investing in more small spaces. DMPS Lite and DM Lite room solutions provide everything needed to instantly connect laptops and tablets for presentations, collaboration, and sharing in:

- Classrooms
- Lounges
- Training rooms
- Common spaces
- Faculty and student meeting rooms

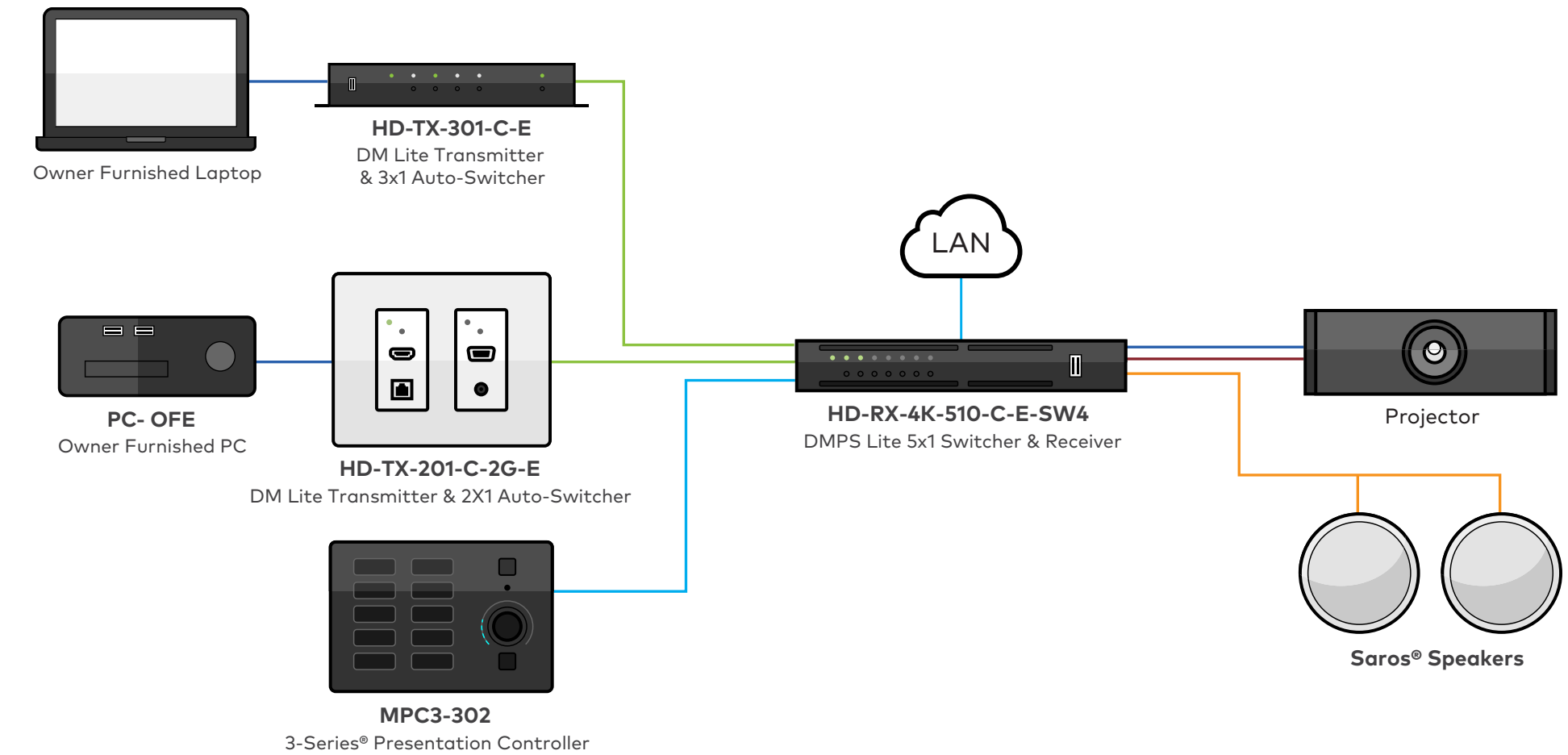


USE CASE

- Simple all-in-one classroom design featuring DMPS Lite 4K multi-format 5x1 AV switch and receiver with local power supply
- Flexible and scalable design with no programming, using .AV Framework™ web-based configuration
- Customers can choose from up to seven different types of transmitters
- Built in Crestron scaler that is superior to projector and display scalers
- PoE+ control system using the MPC3-302
- Single platform design, from transmitters to processor and native brand speakers
- Education-grade security at the device level, such as 802.1x and Active Directory™ credential management
- Integrates seamlessly with plenum enclosures and projector mounts from industry leading third-party providers
- Zero-touch deployment and management from a 100% Cloud-based solution built in Azure® IoT Hub
- Award-winning 24/7 Crestron True Blue Support

BOM EXAMPLE

| QNTY | PRODUCT NAME |
|------|----------------------|
| 1 | HD-TX-301-C-E |
| 1 | HD-TX-201-C-2G-E |
| 1 | MPC3-302 |
| 1 | HD-RX-4K-510-C-E-SW4 |
| 2 | SAROS ICI6T-W-T-EACH |



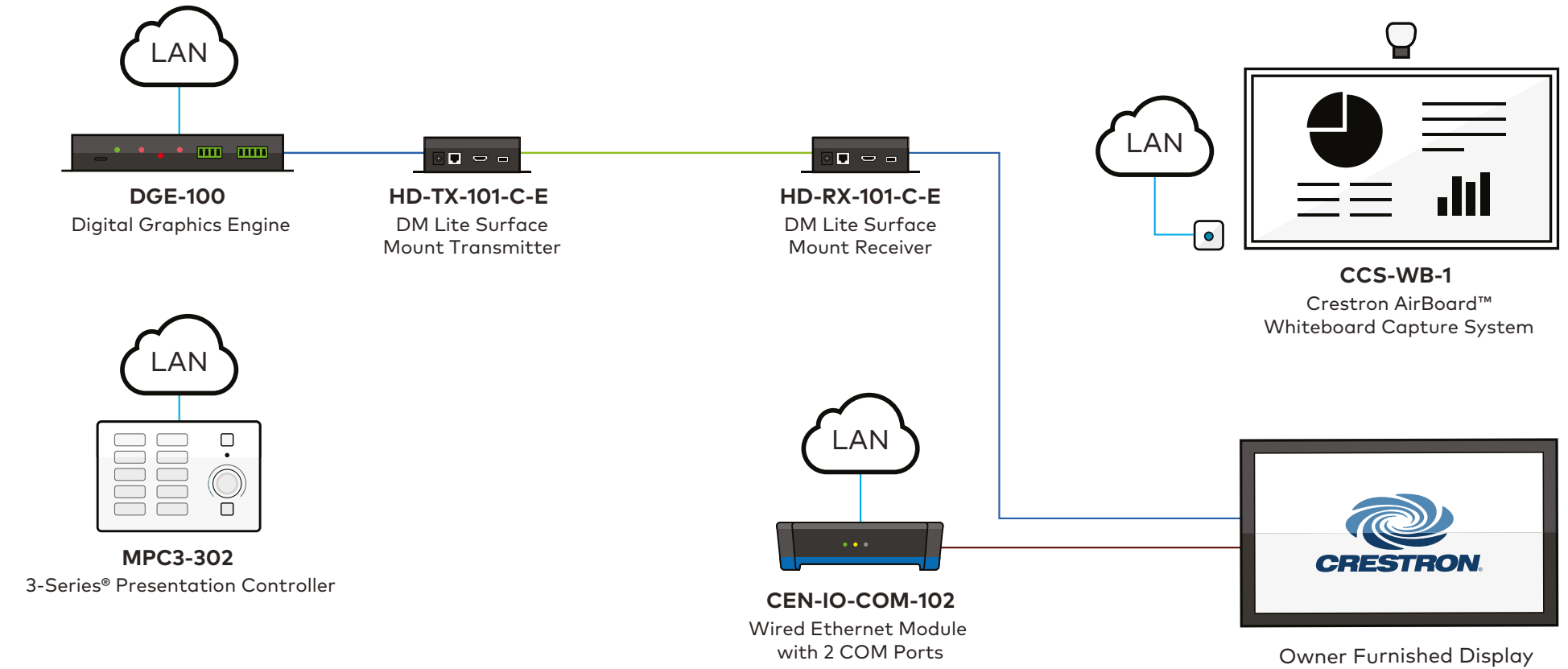
Key: ● Cat5/6 ● HDMI® Cables ● DM Lite™ Cables ● Speaker ● RS-232

USE CASE

- Simply source content using the MPC3-302 PoE presentation controller and button panel
- Share content and integrate seamlessly using Crestron AirBoard™ electronic whiteboard capture system
- Easy point-to-point signal extension up to 4K using DM Lite endpoints
- Seamlessly integrates with owner furnished display
- Simple design with less SKUs, all on a single platform
- Award-winning 24/7 Crestron True Blue Support

BOM EXAMPLE

| QNTY | PRODUCT NAME |
|------|----------------|
| 1 | CEN-IO-COM-102 |
| 1 | CCS-WB-1 |
| 1 | DGE-100 |
| 1 | HD-RX-101-C-E |
| 1 | HD-TX-101-C-E |
| 1 | MPC3-302 |



Key: ● Cat5/6 ● HDMI® Cables ● DM Lite™ Cables ● RS-232

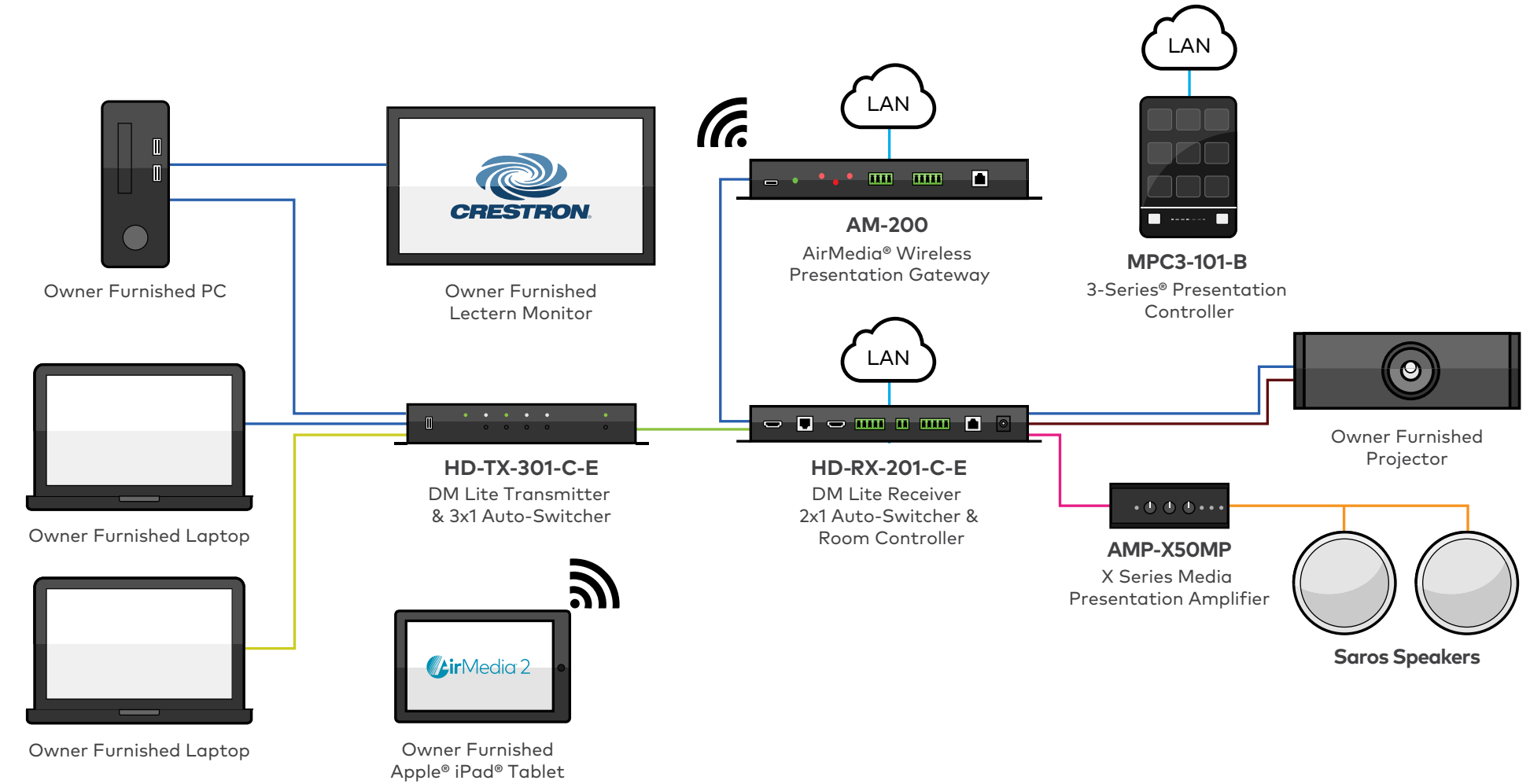
USE CASE

- Connect multiple sources using a 3x1 DM Lite transmitter
- Control content from anywhere using an Apple® iPad® tablet
- Wirelessly send content to the room display using the AM-200
- Simple design with less SKUs, all on a single platform
- Crystal clear audio when connecting native brand speakers with an AMP-X50MP
- Education-grade security down to the device level
- Easily send source content to the projector using the MPC3-101 media presentation controller
- Award-winning 24/7 Crestron True Blue Support

BOM EXAMPLE

| QNTY | PRODUCT NAME |
|------|----------------------|
| 1 | MPC3-101 |
| 1 | AM-200 |
| 1 | AMP-X50MP |
| 1 | HD-RX-201-C-E |
| 1 | HD-TX-301-C-E |
| 2 | SAROS ICI6T-W-T-EACH |

Budget Friendly Classroom



Key: ● Cat5/6 ● HDMI® Cables ● VGA ● DM Lite™ Cables ● Speaker ● Audio ● RS-232



ENTERPRISE

Crestron simple room solutions are custom-made to meet the needs of the modern workplace, where more meetings are taking place in more types of smaller spaces. DMPS Lite and DM Lite make it easy to deliver consistent meeting, presentation, and conferencing experiences at scale in:

- Meeting rooms
- Huddle rooms
- Open presentation spaces

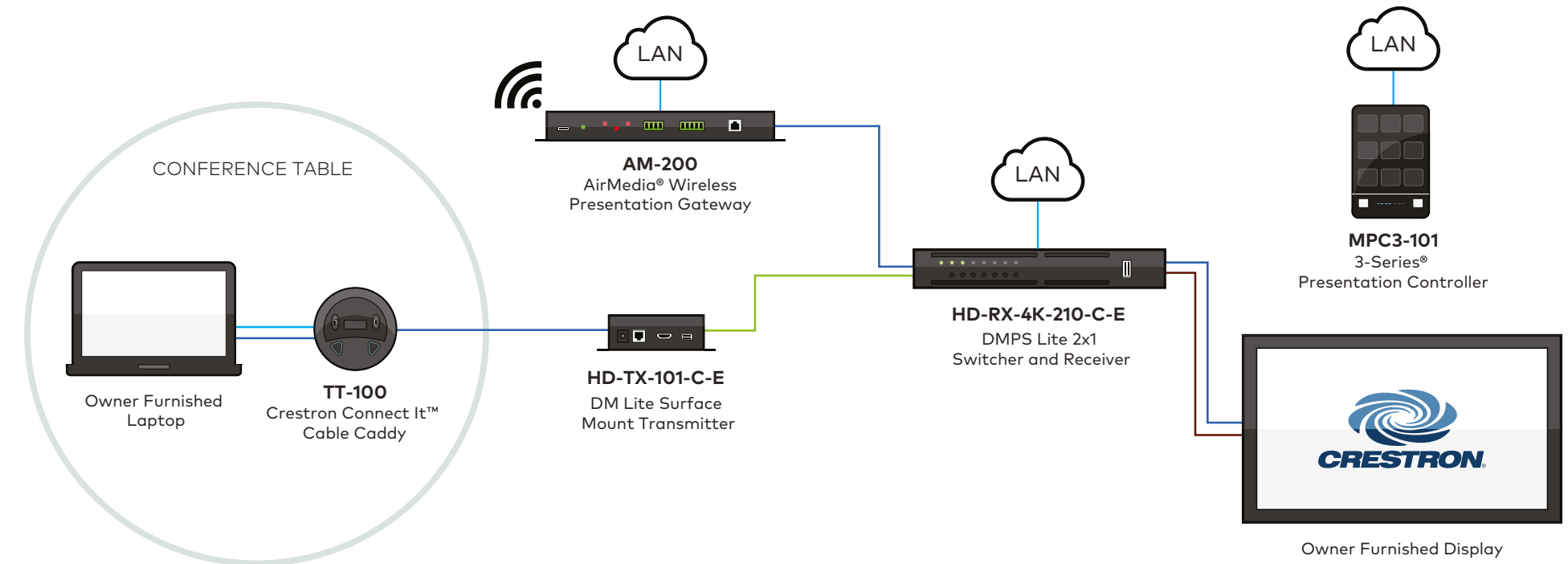


USE CASE

- Simple huddle space for seamless collaboration; easy for presenters to use
- Wirelessly send content to the room display using an AM-200
- Switch and scale 4K content using the DMPS Lite 2X1 switcher and receiver
- Accommodates multiple presentation sources with easy connection using the TT- 100 Connect It cable caddy
- Flexible and scalable design with no programming, using .AV Framework web-based configuration
- PoE+ control system using the MPC3-101
- Zero-touch deployment and management from a 100% Cloud-based solution built in Azure IoT Hub
- Award-winning 24/7 Crestron True Blue Support

BOM EXAMPLE

| QNTY | PRODUCT NAME |
|------|------------------|
| 1 | MPC3-101 |
| 1 | AM-200 |
| 1 | HD-RX-4K-210-C-E |
| 1 | HD-TX-101-C-E |
| 2 | TT-100 |



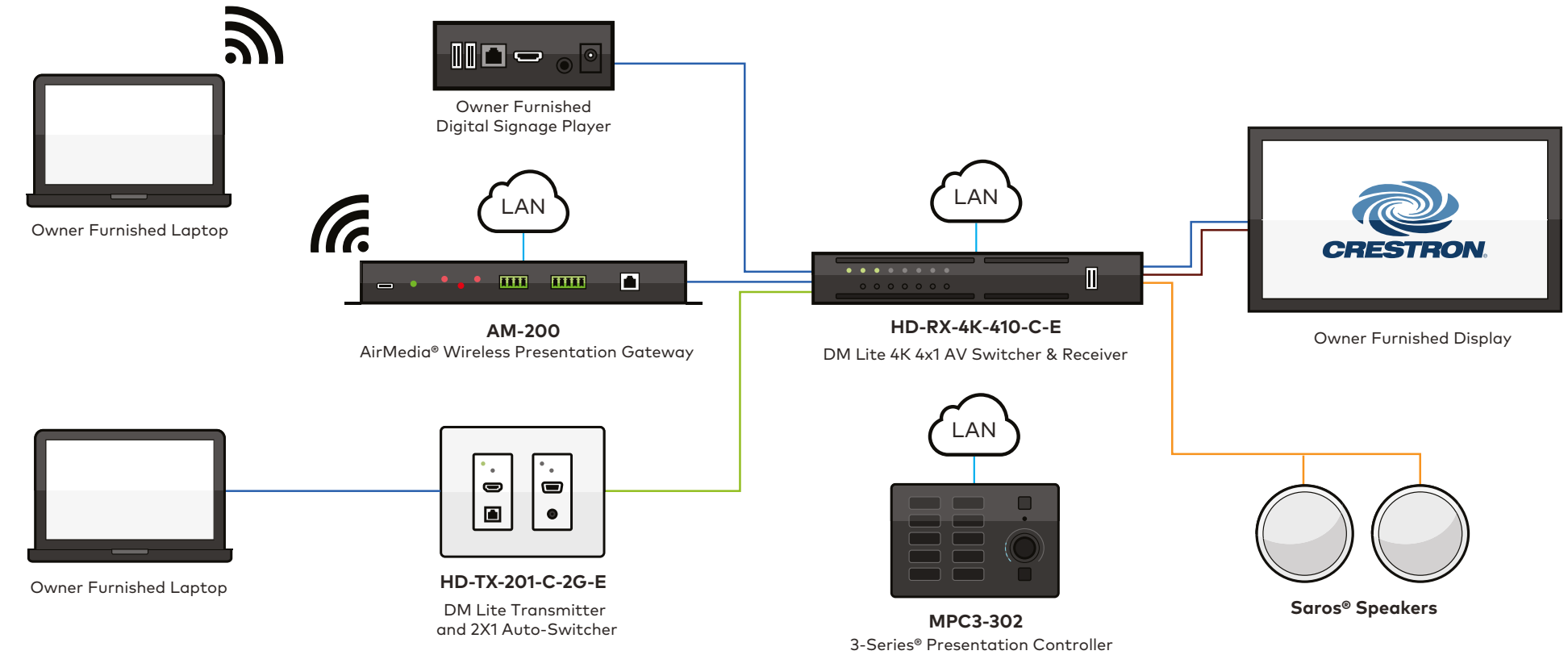
Key: ● Cat5/6 ● HDMI® Cables ● DM Lite™ Cables ● RS-232

USE CASE

- Compatible with all DM Lite transmitters using the DMPS Lite 4X1 AV switcher and receiver
- View content on multiple displays
- Control content from anywhere by adding a purpose built, commercial grade touch screen
- Simple design with less SKUs, all on a single platform
- Easy BYOD connectivity for users when adding Crestron FlipTops™ cable management
- Save time, labor, and money with no-programming .AV Framework web-based configuration
- Seamlessly integrates natively with environmental devices, such as occupancy sensors
- Award-winning 24/7 Crestron True Blue Support

BOM EXAMPLE

| QNTY | PRODUCT NAME |
|------|----------------------|
| 1 | HD-RX-4K-410-C-E-SW4 |
| 1 | AM-200 |
| 1 | HD-TX-201-C-2G-E |
| 1 | MPC3-302 |
| 4 | SAROS ICI6T-B-T-EACH |



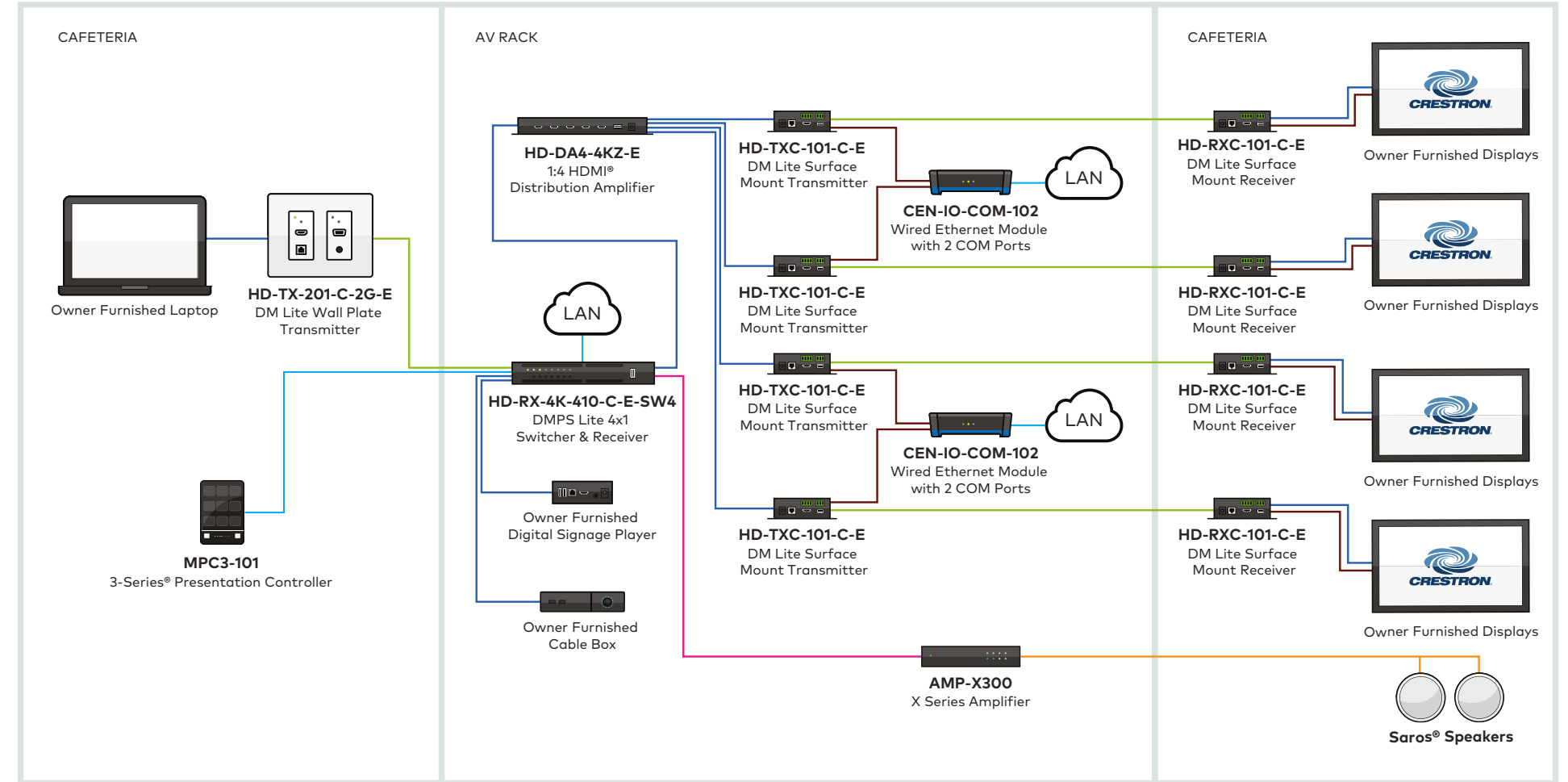
Key: ● Cat5/6 ● HDMI® Cables ● DM Lite™ Cables ● Speaker ● RS-232

USE CASE

- Simple point-to-point signal extension using a DM Lite wall plate transmitter
- A multi-purpose space to host different types of events, all within the Crestron IoT ecosystem
- PoE+ control system using the MPC3-101 for simple content routing
- Scale and switch 4K content using the DMPS Lite 4X1 AV switcher and receiver, including amplified audio outputs to connect to native brand speakers and amplifier
- View content on multiple displays
- Added design flexibility using the CEN-IO-COM-102
- Save time, labor, and money with no-programming .AV Framework web-based configuration
- Award-winning 24/7 Crestron True Blue Support

BOM EXAMPLE

| QNTY | PRODUCT NAME |
|------|----------------------|
| 1 | AMP-X300 |
| 2 | CEN-IO-COM-102 |
| 1 | HD-DA4-4KZ-E |
| 4 | HD-RXC-101-C-E |
| 4 | HD-TXC-101-C-E |
| 1 | HD-RX-4K-410-C-E-SW4 |
| 1 | HD-TX-201-C-2G-E |
| 1 | MPC3-101 |
| 8 | SAROS-ICI6T-B-T-EACH |



Key: ● Cat5/6 ● HDMI® Cables ● DM Lite™ Cables ● Speaker ● Audio ● RS-232



GOVERNMENT

Today, government agencies are relying on technology solutions to streamline communications, proceedings, and training processes. DMPS Lite sits at the center of this trend, providing highly secure, scalable AV solutions for:

- Meeting rooms
- Huddle rooms and spaces
- Courtrooms
- Small briefing rooms
- Presentation rooms

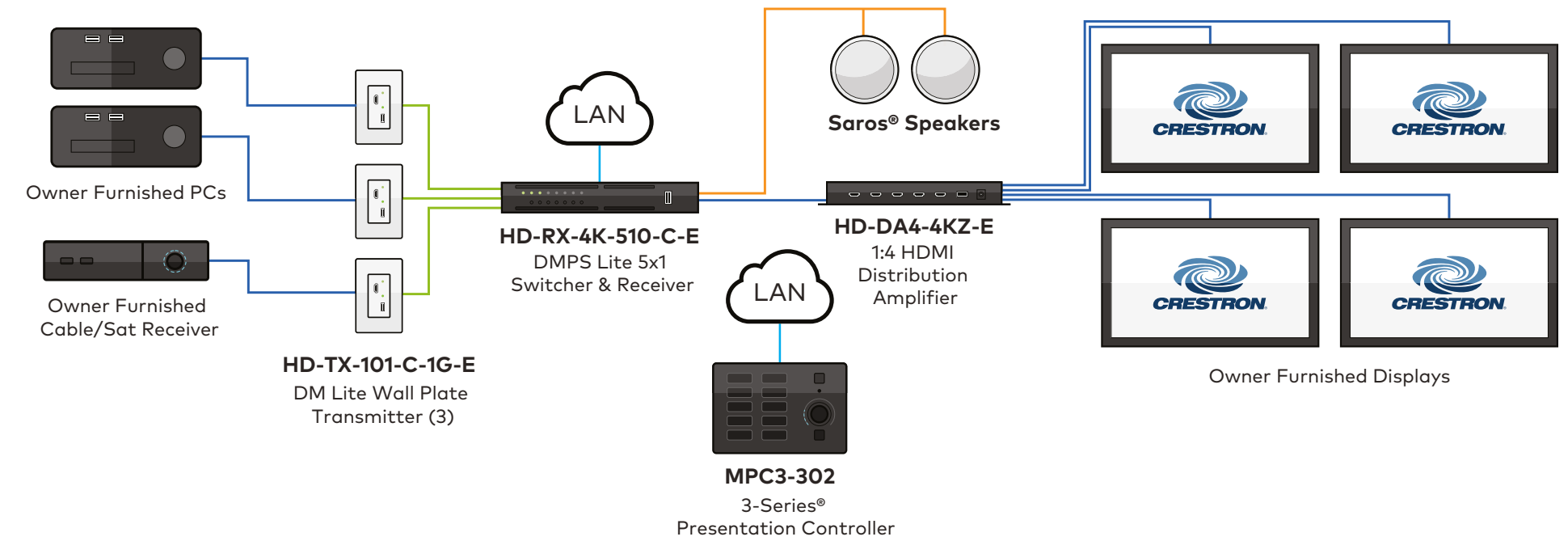


USE CASE

- Multiple DM Lite wall plate transmitter connection options using the DMPS Lite 5X1 AV switcher and receiver, including direct connection to native brand speakers
- Flexible and scalable design with no-programming .AV Framework web-based configuration
- Customers can choose from up to seven different types of transmitters
- Built in scaler that is superior to projector and display scalers
- PoE+ control system using the MPC3-302
- Single platform design, from transmitters to control system and native brand speakers
- Zero-touch deployment and management from a 100% Cloud-based solution built in Azure IoT Hub
- Award-winning 24/7 Crestron True Blue Support

BOM EXAMPLE

| QNTY | PRODUCT NAME |
|------|-----------------------|
| 1 | HD-DA4-4KZ-E |
| 1 | HD-RX-4K-510-C-E |
| 3 | HD-TX-101-C-1G-E |
| 1 | MPC3-302 |
| 4 | SAROS-ICI16T-B-T-EACH |



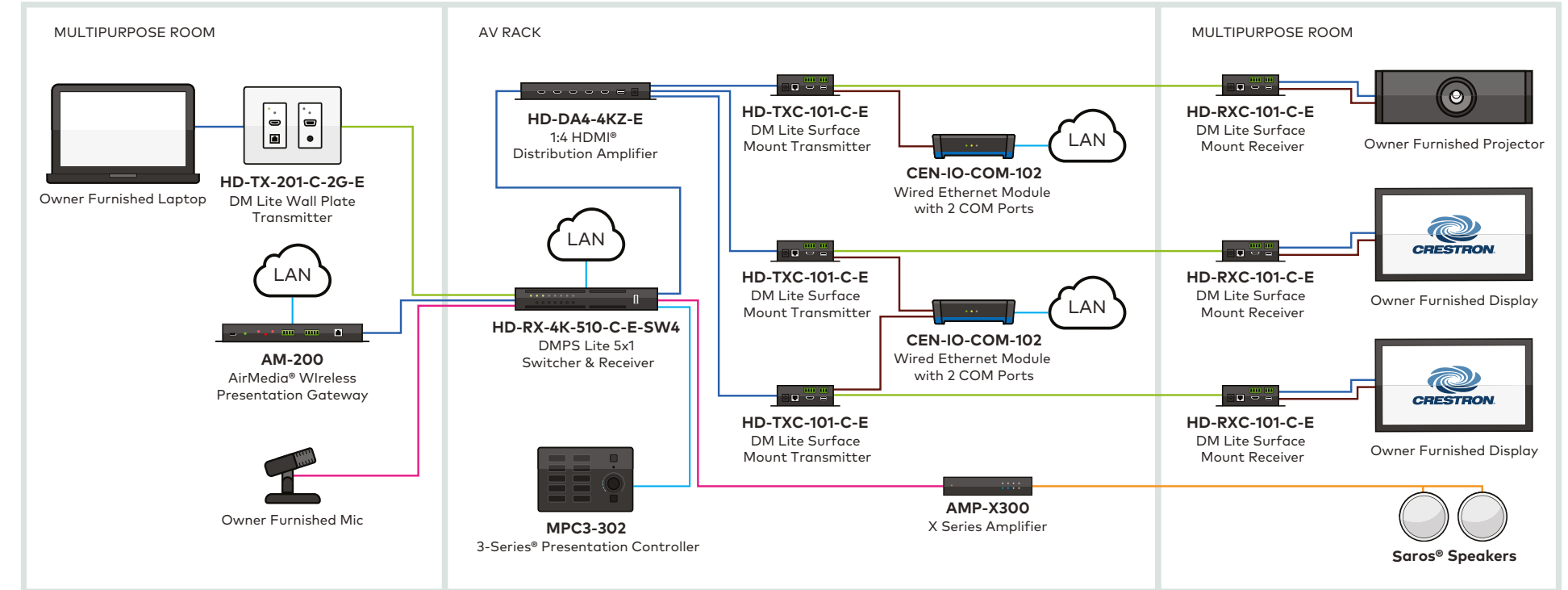
Key: ● Cat5/6 ● HDMI® Cables ● DM Lite™ Cables ● Speaker

USE CASE

- Multi purpose space with flexible content switching using the DMPS Lite 5X1 AV switcher and receiver
- Control content using the MPC3-302 button panel with built in 3-Series® control system
- Wirelessly send content to any display in the space using the AM-200
- Integrate owner furnished microphones into the DMPS Lite 5X1 AV switcher and receiver via any of the 5 analog audio inputs
- Easy point-to-point signal extension using DM lite endpoints
- Award winning 24/7 Crestron True Blue support
- Save time, labor, and money with no-programming .AV Framework web-based configuration

BOM EXAMPLE

| QNTY | PRODUCT NAME |
|------|----------------------|
| 1 | AM-200 |
| 1 | AMP-X300 |
| 2 | CEN-IO-COM-102 |
| 1 | HD-DA4-4KZ-E |
| 3 | HD-TXC-101-C-E |
| 3 | HD-RXC-101-C-E |
| 1 | HD-RX-4K-510-C-E-SW4 |
| 1 | HD-TX-201-C-2G |
| 1 | MPC3-302 |
| 6 | SAROS-ICI6T-W-T-EACH |



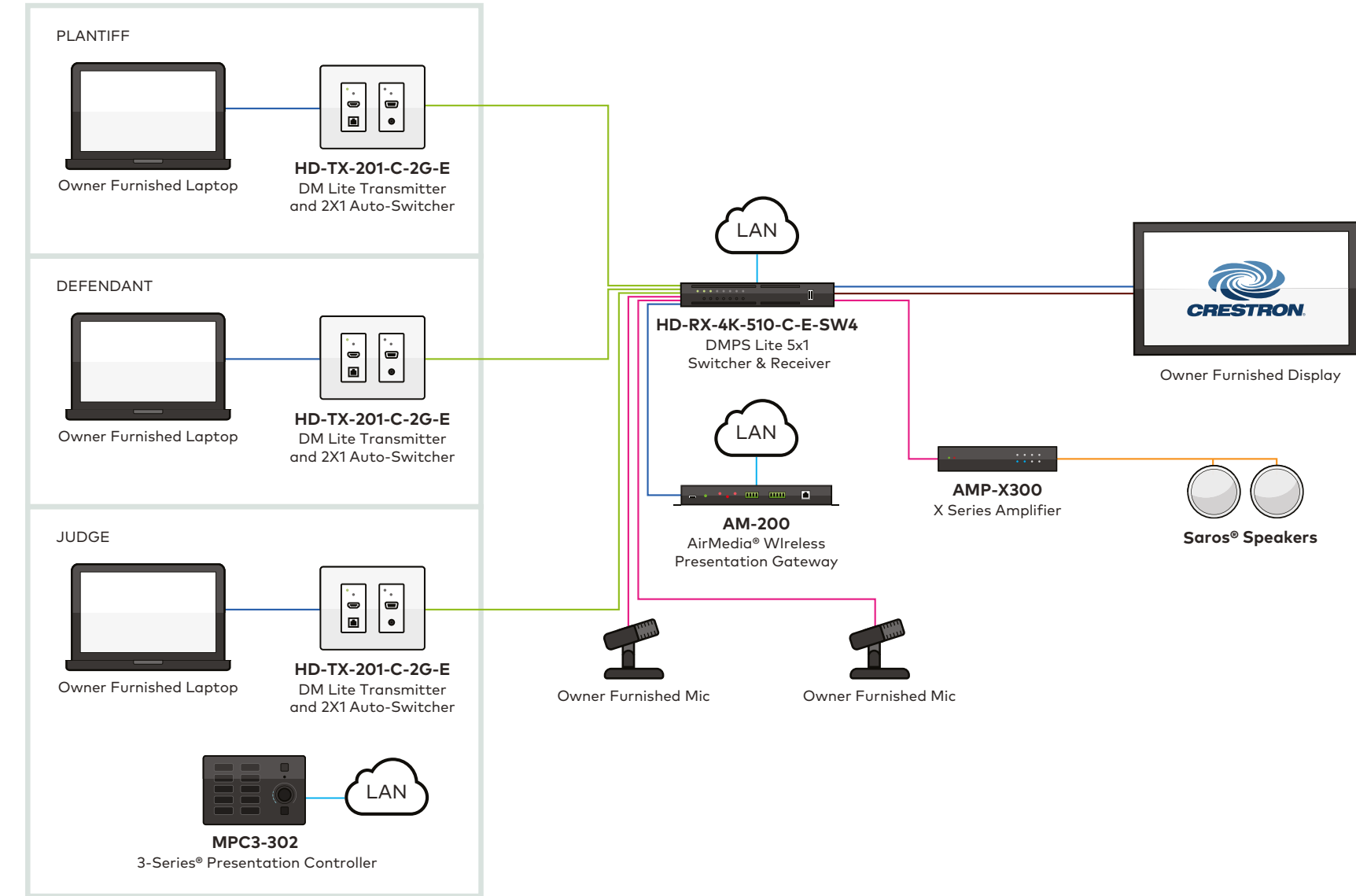
Key: ● Cat5/6 ● HDMI® Cables ● DM Lite™ Cables ● Speaker ● Audio ● RS-232

USE CASE

- Government court room with security at the device level
- DMPS Lite 4K multi-format 5x1 AV switcher and receiver with local power supply
- Easily transmit multiple sources via multiple wall plate transmitters
- Control content via a purpose-built MPC3-302 button panel with built in 3-Series control system
- Simple design with less SKUs, all on a single platform
- Collaborate and share content wirelessly via the AM-200
- Crystal clear speech and audio via native brand speakers with an AMP-X300
- Save time, labor, and money with no-programming .AV Framework web-based configuration
- Award-winning 24/7 Crestron True Blue Support

BOM EXAMPLE

| QNTY | PRODUCT NAME |
|------|----------------------|
| 1 | AM-200 |
| 1 | AMP-X300 |
| 1 | HD-RX-4K-510-C-E-SW4 |
| 3 | HD-TX-201-C-2G-E |
| 1 | MPC3-302 |
| 1 | MPC3/MPB3-TTK-SQR |
| 4 | SAROS-ICI6T-W-T-EACH |



Key: ● Cat5/6 ● HDMI® Cables ● DM Lite™ Cables ● Speaker ● Audio ● RS-232



RETAIL

Retailers are bringing the online shopping experience into the store. Video walls and displays feature an array of media sights and sounds that amp up the fun factor, help promote the latest merchandise and offers, and keep employees informed and engaged. DMPS Lite and DM Lite offer simple solutions to drive this content in:

- Retail space
- Directories (Kiosks)
- Break rooms

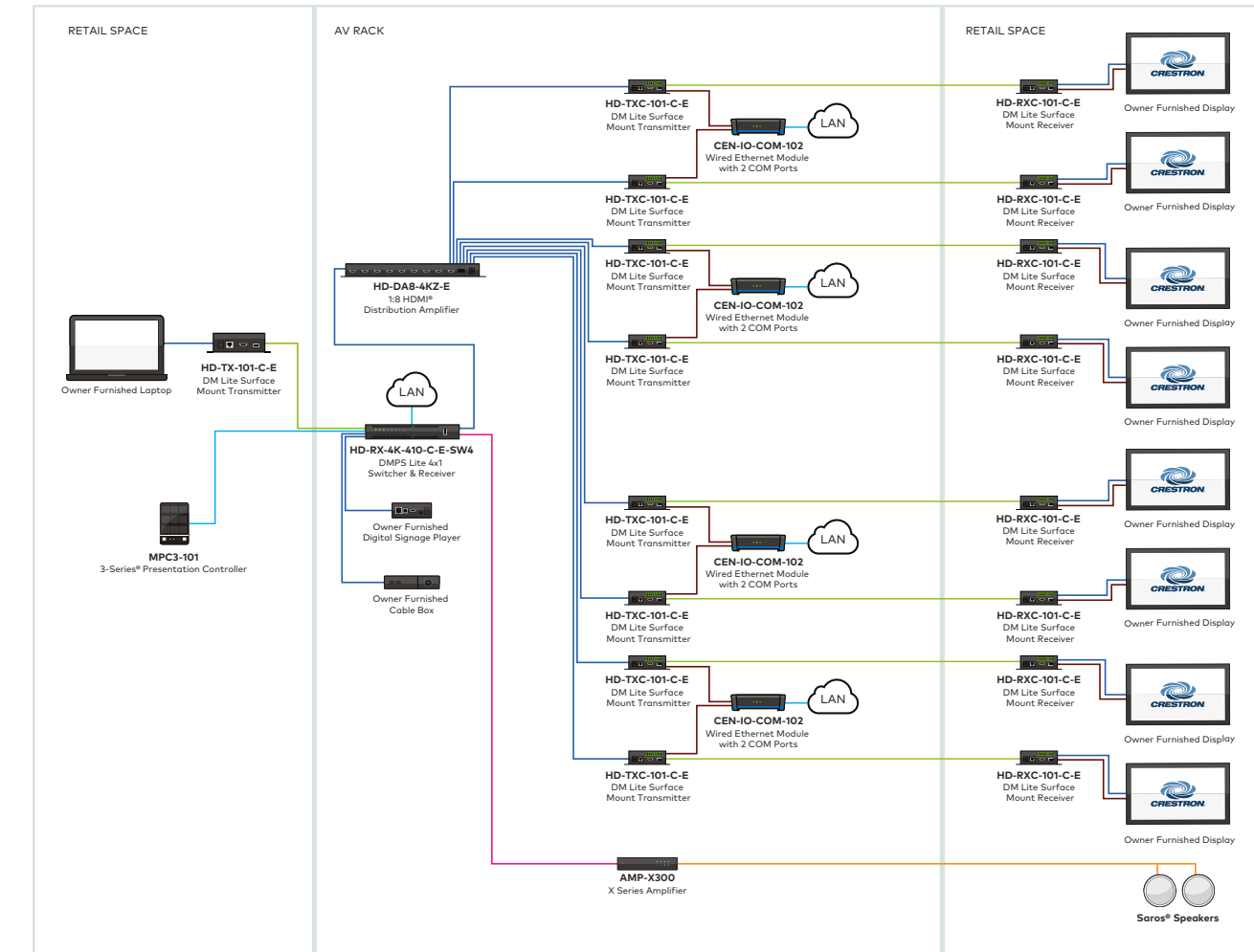


USE CASE

- Simple point-to-point signal extension via DM Lite endpoints to distribute content to multiple displays throughout the space
- Easily scale and switch up to 4K content via the 4X1 DMPS Lite AV switcher and receiver; distribute the same content to all displays via the 1:4 HDMI distribution amplifier
- Built-in scaler that is superior to projector and display scalers
- PoE+ control system using the MPC3-101
- Single platform design, from transmitters to control system and native brand speakers
- Retail grade security at the device level, such as 802.1x and Active Directory credential management
- Save time, labor, and money with no-programming .AV Framework web-based configuration
- Zero-touch deployment and management from a 100% Cloud-based solution built in Azure IoT Hub
- Award-winning 24/7 Crestron True Blue Support

BOM EXAMPLE

| QNTY | PRODUCT NAME |
|------|----------------------|
| 1 | AMP-X300 |
| 4 | CEN-IO-COM-102 |
| 1 | HD-DA8-4KZ-E |
| 8 | HD-RXC-101-C-E |
| 8 | HD-TXC-101-C-E |
| 1 | HD-RX-4K-410-C-E-SW4 |
| 1 | HD-TX-101-C-E |
| 1 | MPC3-101 |
| 10 | SAROS-ICI6T-B-T-EACH |



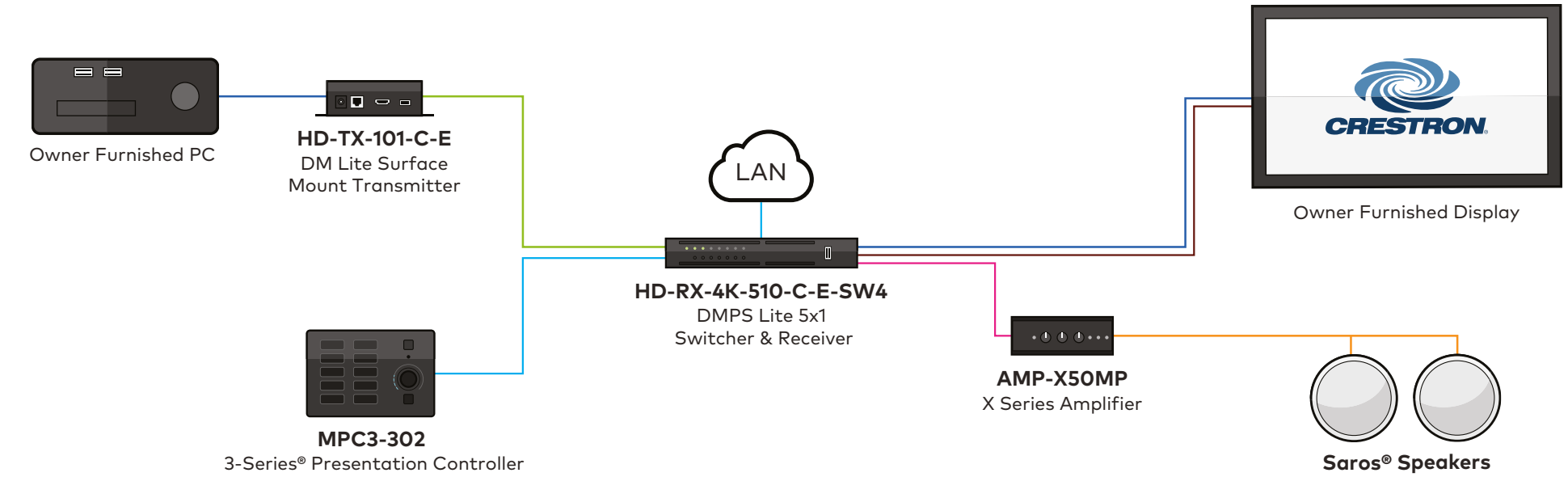
Key: ● Cat5/6 ● HDMI® Cables ● DM Lite™ Cables ● Speaker ● Audio ● RS-232

USE CASE

- Simple design with less SKUs, all on a single platform
- Easy installation using a DM Lite surface mount transmitter connected to DMPS Lite 5X1 AV switcher and receiver
- Control content using the purpose-built commercial-grade MPC3-302
- Zero-touch deployment and management from a 100% Cloud-based solution built in Azure IoT Hub
- Save time, labor, and money with no-programming .AV Framework web-based configuration
- Award-winning 24/7 Crestron True Blue Support

BOM EXAMPLE

| QNTY | PRODUCT NAME |
|------|----------------------|
| 1 | AMP-X50MP |
| 1 | HD-RX-4K-510-C-E-SW4 |
| 1 | HD-TX-101-C-E |
| 1 | MPC3-302 |
| 2 | SAROS-ICI6T-W-T-EACH |



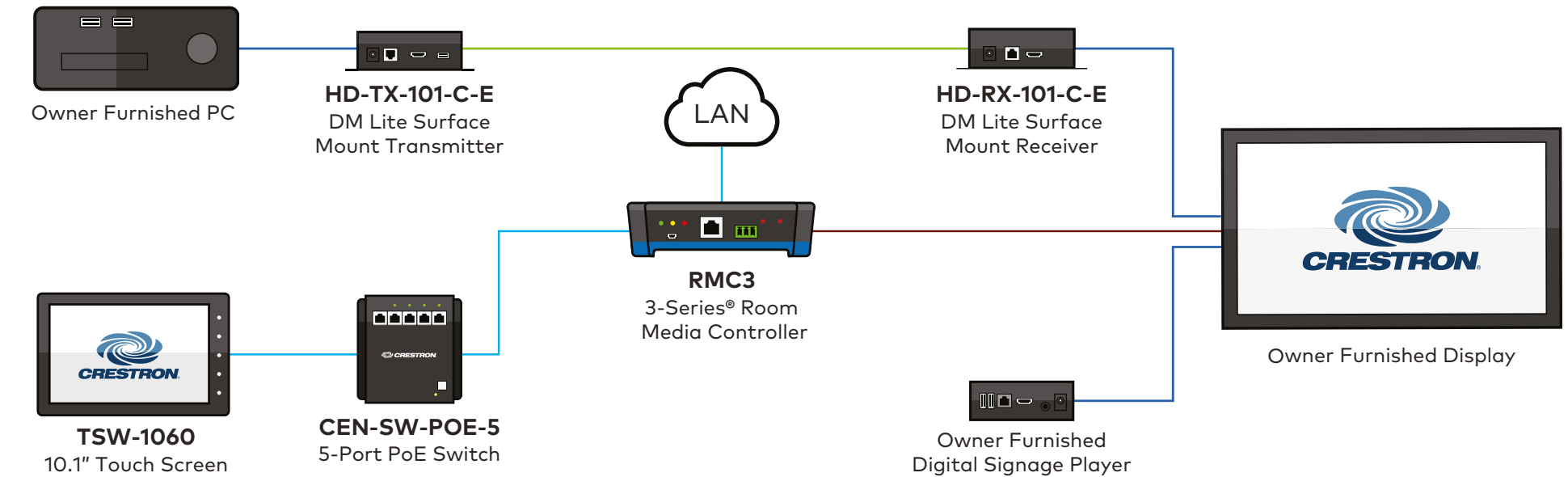
Key: ● Cat5/6 ● HDMI® Cables ● DM Lite™ Cables ● Speaker ● Audio ● RS-232

USE CASE

- Simple and cost-effective design, featuring compact RMC3 control system, to suit a variety of specialized applications
- Easily extend 4K content signals using DM Lite endpoints
- Control content from anywhere using a purpose-built commercial-grade touch screen with enterprise-grade security
- Seamlessly integrates with owner furnished equipment such as PCs, digital signage players, and displays
- Easily control which content is displayed on screen and when; show latest promotions, sales, and products during peak times, e.g.
- Zero-touch deployment and management from a 100% Cloud-based solution built in Azure IoT Hub
- Award-winning 24/7 Crestron True Blue Support

BOM EXAMPLE

| QNTY | PRODUCT NAME |
|------|---------------|
| 1 | RMC3 |
| 1 | TSW-1060 |
| 1 | TSW-1060-TTK |
| 1 | HD-TX-101-C-E |
| 1 | HD-RX-101-C-E |
| 1 | CEN-SW-POE-5 |



Key: ● Cat5/6 ● HDMI® Cables ● DM Lite™ Cables ● RS-232



HOSPITALITY

Today, entertainment venues, whether it be hotels, theme parks, casinos, or event locations, want to create an enhanced experience that will keep guests coming back. As part of a complete Crestron automation solution, including lighting, climate, and shades control, DMPS Lite and DM Lite make it easy to distribute and control audio and video entertainment and information in:

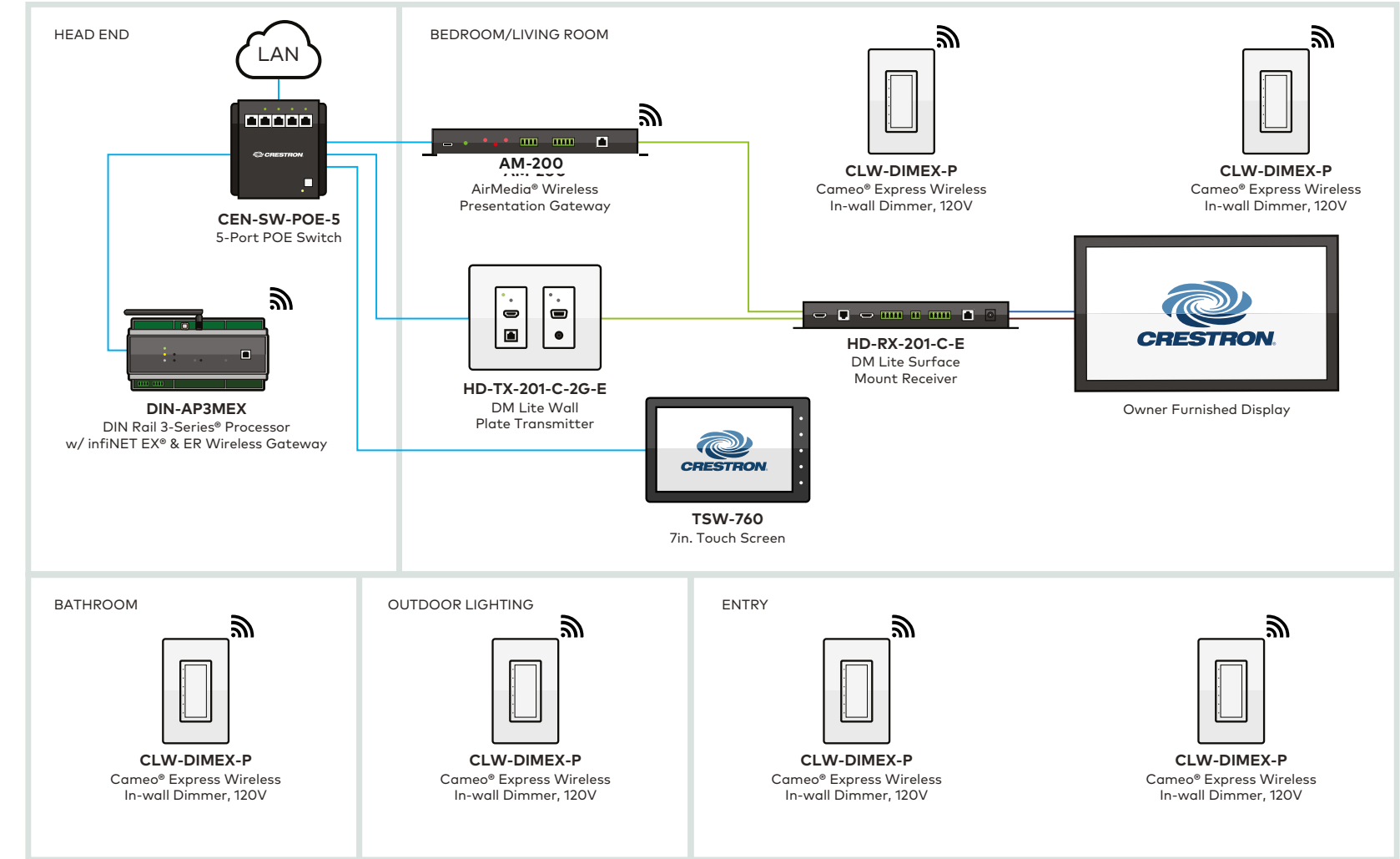
- Guest rooms
- Lobbies
- Casino gaming rooms

USE CASE

- Scale and switch HD content using the HD-TX-201-C-E with built-in AirMedia wireless technology
- Seamlessly control lights from different locations using Cameo® Express wireless in-wall dimmers
- Using the DIN Rail 3-Series control system, control lighting, shades, and climate
- Select and control content using a commercial-grade purpose-built touch screen with enterprise-grade security
- Single platform design, from transmitters to control system and dimmers
- Zero-touch deployment and management from a 100% Cloud-based solution built in Azure IoT Hub
- Award-winning 24/7 Crestron True Blue Support

BOM EXAMPLE

| QNTY | PRODUCT NAME |
|------|------------------|
| 1 | AM-200 |
| 1 | CEN-SW-POE-5 |
| 6 | CLW-DIMEX-P |
| 1 | DIN-AP3MEX |
| 1 | HD-TX-201-C-2G-E |
| 1 | HD-RX-201-C-E |
| 1 | PW-2407RU |
| 1 | TSW-760 |
| 1 | TSW-760-TTK |



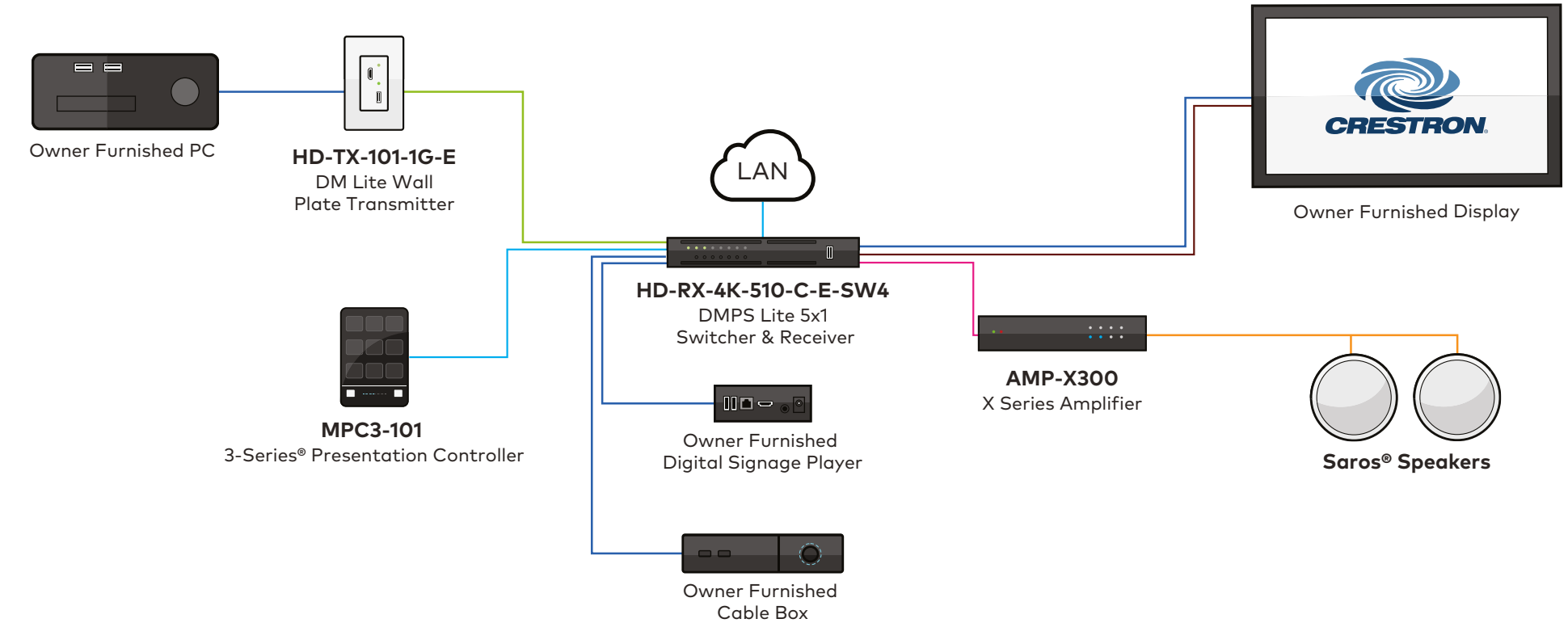
Key: ● Cat5/6 ● HDMI® Cables ● DM Lite™ Cables ● RS-232

USE CASE

- Easily switch content utilizing DM Lite 4K multi-format 5x1 AV switch and receiver with local power supply
- Control content using MPC3-302, a purpose-built commercial-grade button panel with enterprise-grade security and built-in control system
- Seamlessly plug in content via the DM Lite wall plate transmitter
- Simple design with less SKUs, all on a single platform
- Seamlessly integrates with owner furnished equipment such as a PC, cable box, or digital signage player
- Crystal clear audio throughout the lobby when connecting native brand speakers with an AMP-X300
- Save time, labor, and money with no-programming .AV Framework web-based configuration
- Award-winning 24/7 Crestron True Blue Support

BOM EXAMPLE

| QNTY | PRODUCT NAME |
|------|----------------------|
| 1 | AMP-X300 |
| 1 | HD-RX-4K-510-C-E-SW4 |
| 1 | HD-TX-101-C-1G-E |
| 1 | MPC3-302 |
| 4 | SAROS-ICI6T-W-T-EACH |



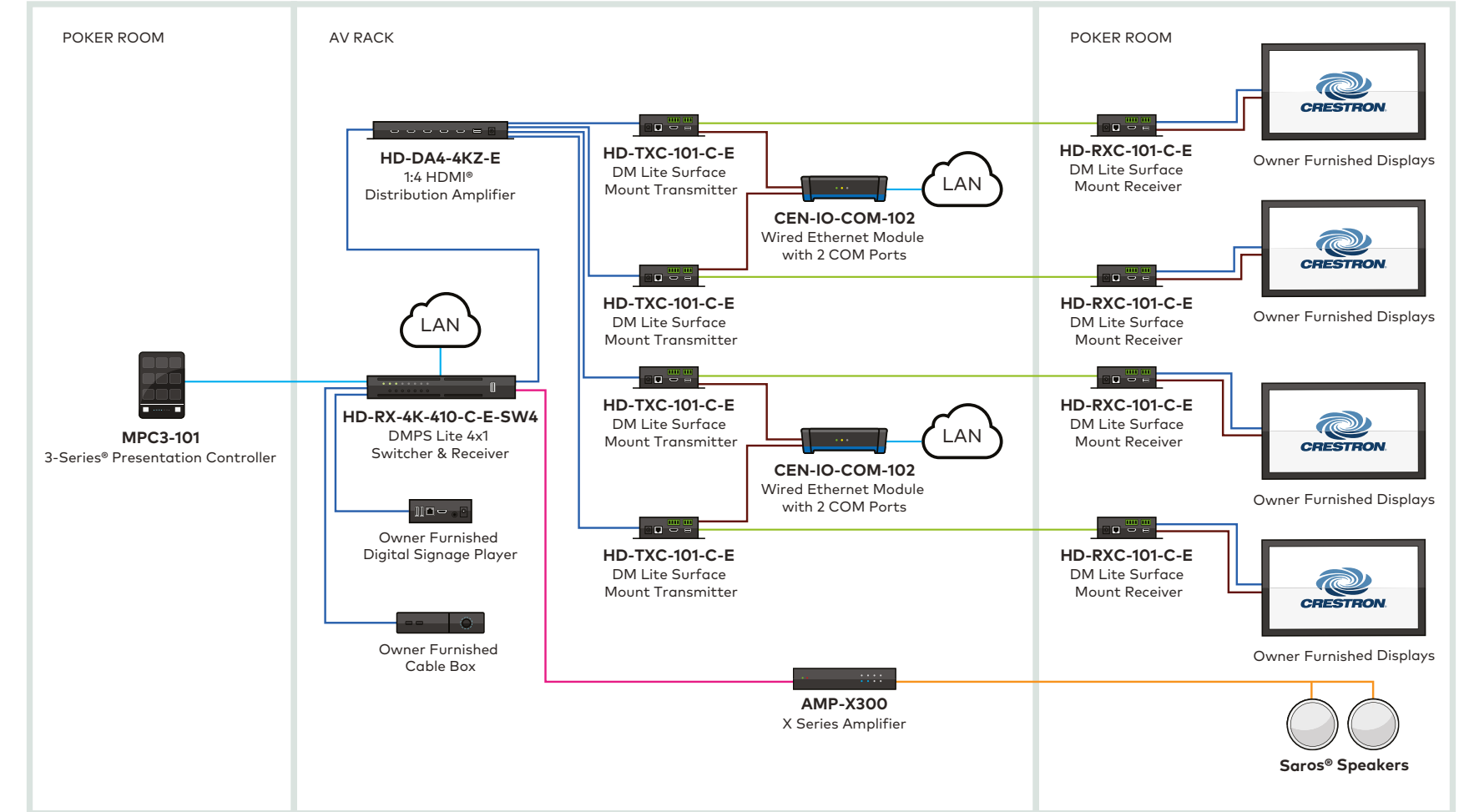
Key: ● Cat5/6 ● HDMI® Cables ● DM Lite™ Cables ● Speaker ● Audio ● RS-232

USE CASE

- Easily distribute content such as casino information, live sports, and more using simple point-to-point signal extension via DM Lite endpoints
- Scale and switch content in the Crestron IoT ecosystem using the DMPS Lite 4X1 AV switcher and receiver
- Control content using a wall-mounted button panel with built-in 3-Series control system
- Hear live audio via native brand speakers and the AMP-X300, with direct connection to the DMPS Lite switcher and receiver
- Integrates seamlessly to multiple owner furnished displays to distribute flawless 4K video
- Save time, labor, and money with no-programming .AV Framework web-based configuration
- Award winning 24/7 Global Tech-Support with Crestron True Blue support

BOM EXAMPLE

| QNTY | PRODUCT NAME |
|------|-----------------------|
| 1 | AMP-X300 |
| 2 | CEN-IO-COM-102 |
| 1 | HD-DA4-4KZ-E |
| 4 | HD-RXC-101-C-E |
| 4 | HD-TXC-101-C-E |
| 1 | HD-RX-4K-410-C-E-SW4 |
| 1 | MPC3-101 |
| 8 | SAROS-ICI16T-B-T-EACH |



Key: ● Cat5/6 ● HDMI® Cables ● DM Lite™ Cables ● Speaker ● Audio ● RS-232

Contact us for more information | crestron.com | 855.263.8754

World Headquarters

15 Volvo Drive
Rockleigh, NJ 07647
800.237.2041
201.767.3400
crestron.com

Latin America

Bldv. Manuel Avila Camacho 37-1A
Col. Lomas de Chapultepec
CP 11560
México
+52 (55) 9159.5900
+ (305) 290.4978
crestron.com.mx

Crestron Europe B.V.

Oude Keerbergebaan 2
B-2820
Rijmenam
Belgium
+32.15.50.99.50
crestron.com

Australia

Level 5
15 Help Street
Chatswood NSW 2067
Australia
+61.1800.555.040
ANZHQ@crestron.com
crestron.com

New Zealand

Unit 18
144-160 Beaumont Street
Westhaven, Auckland 1010
New Zealand
+64.800.273.787
ANZHQ@crestron.com
crestron.com

Israel

14 Hata'as Street
Kfar Saba, 4442514
Israel
+972.9.7685556
crestron.co.il

India

Unit 101 & 102 RMZ Ecoworld
Campus 6B Sarjapur Marathalli
Outer Ring Road
Bangalore 560103
1.800.3005.8822
INDIAsalessupport@crestron.com
crestron.com

NE Asia

Suite 3101-02, 31/F Oxford House,
Taikoo Place 979 Kings Road
Hong Kong
+852 800 969 996
NEAsalessupport@crestron.com
crestron.com

China

487 Tian Lin Road Gems Park
Block 25 Xu Hui District
P.R.C. Shanghai 200233
Toll Free Phone: 400.880.9700

SE Asia

31 Kaki Bukit Road 3
#01-04 & #01-05
Techlink
Singapore 417818
+65.6394.9380
crestron.com

Japan

1736-3 Higashitsuda-Cho
Matsue City 690-0011
Japan
+81.852.60.5185
crestronjapan.com

