

# TT-100

## Crestron Connect It™ Cable Caddy

- > Simple-to-use tabletop presentation interface
- > Stylish, unimposing design
- > Simple one-touch toggling between multiple presenters
- > Soft-touch capacitive buttons with multicolored status indicators
- > Convenient left or right hand access
- > Recessed cable storage compartment
- > Available with or without cables
- > Optional 120 Volt AC power outlet
- > 4K and Ultra HD compatible
- > Compact and easy to install
- > Available in black or gray textured
- > Integrates with DigitalMedia™ and other systems
- > Complete system solutions available with no programming required



TT-101-B-T  
model shown

Crestron Connect It™ offers a cost-effective, simple-to-use presentation solution that provides connectivity, cable management, and one-touch control, all in one stylish tabletop device that's remarkably easy to install. Using a Crestron Connect It Cable Caddy (TT-100 Series), anyone can easily connect their laptop, tablet, or smartphone device and instantly start presenting. Multiple cable caddies can be deployed across any sized table to enable natural, free-flowing collaboration amongst several participants in a huddle room, conference room, council chamber, or training lab. Simple one-touch control at each cable caddy makes toggling between sources effortless.

Four Crestron Connect It Cable Caddy models are available:

**TT-100** – Includes a 120 Volt outlet and space for four customer-supplied cables

**TT-101** – Includes a 120 Volt outlet plus HDMI®, VGA, Audio, and Ethernet cables

**TT-110** – Provides space for four customer-supplied cables; no outlet

**TT-111** – Includes HDMI, VGA, Audio, and Ethernet cables; no outlet

### Connect to Present, Tap to Switch

Starting a presentation and switching between presenters is incredibly easy and intuitive. To begin, simply connect a source and the room display automatically turns on and displays that source. With a simple tap of the finger, any other presenter can take over the presentation at any time via a pair of soft-touch capacitive buttons, conveniently positioned for left or right hand access. Multi-colored lights surrounding each button clearly indicate when a source is connected and ready, and when that source is being displayed.

### A Personal Connection

Stowed neatly within its recessed storage compartment, the Crestron Connect It Cable Caddy provides four easy pull-out interface cables for HDMI, VGA, Audio, and Ethernet. Custom cables can also be accommodated, and select models include a single AC power outlet.

### The “Hole” Thing

Mounting the cable caddy device requires just a 4 inch (102 mm) round hole through the tabletop surface. The device is secured in place with a single twist-on locking ring, which features three lock-down screws to prevent the device from coming loose.

### The Whole Package

A complete Crestron Connect It collaboration solution is incredibly easy to specify and install. A single presentation switcher mounts conveniently under the table to enable automatic switching for up to four TT-100 series cable caddies. It can also provide control and connectivity for the room's display device along with a host of other features and functions, all without requiring any custom programming. Three presentation switcher options are available including the [HD-MD8X1-4K](#) 4K Scaling Presentation Switcher, the [DM-MD8X1-4K-C](#) 4K Scaling Presentation Switcher w/HDBaseT® Output, and the [DMPS3-4K-150-C](#) 3-Series® 4K DigitalMedia™ Presentation System 150. Just add a Crestron® sound bar ([CCS-SPK-SB-100](#)), or an [MP-AMP30](#) or [MP-AMP40](#) amplifier with [Saros® speakers](#) for a total huddle room collaboration solution.<sup>[1]</sup>

Other system configurations are possible using any Crestron DMPS3 system or DigitalMedia switcher. Integration with a Crestron Control System is enabled directly via Cresnet®, or through a DM 8G+® transmitter via USB. A DM 8G+ transmitter offers a long-distance, single-wire interface with auto-switching inputs for a single TT-100 series cable caddy.<sup>[2,3]</sup>

# TT-100 Crestron Connect It™ Cable Caddy

## SPECIFICATIONS

### Controls & Indicators

“Connect It” Buttons: (2) Soft-touch capacitive buttons; Press either button to select the connected video source for viewing on a display device

“Connect It” Indicators: (2) Multicolored LED indicators:

**Blue (solid)** – Indicates no video source is connected

**Green (blinking)** – Indicates a video source is connected and the display device is powering up

**Green (solid)** – Indicates the connected video source is selected for viewing on the display device

**Green (slow pulse)** – Indicates a video source is connected but not currently selected for viewing

**Red (blinks 5 times)** – Indicates one of the “Connect It” buttons has been pressed but no video source is connected

### Communications

Cresnet®: Cresnet slave mode

USB: USB OTG port for interfacing with select Crestron devices including: DMPS3-4K-150-C, DM-MD8X1-4K-C, HD-MD8X1-4K, DM-TX-4K-202-C, DM-TX-4K-302-C, DM-TX-401-C, or DM-TX-201-C<sup>[3]</sup>

### Connections – Top

**Cable Storage Compartment:** Provides pass-thru holes for up to four cables; Models TT-101 and TT-111 include the following cables:

- HDMI, Type A, 6 ft (1.8 m)
- VGA, HD15, 6 ft (1.8 m)
- Stereo Audio, 3.5mm TRS, 6 ft (1.8 m)
- LAN, Shielded CAT5e, RJ45, 7 ft (2.1 m)

**AC Power Outlet (TT-100 & TT-101 only):** (1) NEMA 5-15R grounded AC power receptacle;

Maximum Load: 10 Amps @ 125 Volts AC, 50/60 Hz

### Connections – Bottom Panel

**NET:** (1) 4-pin 3.5 mm detachable terminal block; Cresnet slave port

**USB:** (1) USB Type mini-AB female, USB OTG port; Includes a 6.5 ft (2 m) mini-B to A USB cable for connection to a DMPS3-4K-150-C, DM-MD8X1-4K-C, HD-MD8X1-4K, DM-TX-4K-202-C, DM-TX-4K-302-C, or DM-TX-401-C; Includes a 6 ft (1.8 m) mini-A to B USB cable for connection to a DM-TX-201-C<sup>[3]</sup>

**Utility Power (TT-100 & TT-101 only):** (1) 9 ft (2.7 m) AC line cord with NEMA 5-15P grounded plug; Passes through to front panel AC power outlet

### Power Requirements

**Cresnet Power Usage:** 1.2 Watts (0.05 Amps @ 24 Volts DC)

**USB:** 5 Volts DC, draws power from USB if Cresnet power is not connected, and only when connected to a USB host port<sup>[3]</sup>

**Utility Power (TT-100 & TT-101 only):** 10 Amps at 125 Volts AC 50/60Hz



TT-111-GRY-T – Shown with cables installed

### Environmental

**Temperature:** 32° to 112° F (0° to 45° C)

**Humidity:** 10% to 90% RH (non-condensing)

**Heat Dissipation:** <0.05 BTU/hr

### Construction

**Housing:** Plastic

**Mounting:** Flush tabletop mount in a 4 inch (102 mm) round hole, 1/2 to 1-1/4 inch (13 to 32 mm) surface thickness

### Dimensions

**Height:** 3.76 in (96 mm)

**Diameter:** 4.71 in (120 mm);

5.90 in (150 mm) with locking ring

### Weight

15.3 oz (433 g) without cables

# TT-100 Crestron Connect It™ Cable Caddy

## MODELS & ACCESSORIES

### Available Models

---

**TT-100-B-T:** Crestron Connect It™ Cable Caddy w/120V Outlet, No Cables, Textured Black

**TT-100-GRY-T:** Crestron Connect It™ Cable Caddy w/120V Outlet, No Cables, Textured Gray

**TT-101-B-T:** Crestron Connect It™ Cable Caddy w/Cables & 120V Outlet, Textured Black

**TT-101-GRY-T:** Crestron Connect It™ Cable Caddy w/Cables & 120V Outlet, Textured Gray

**TT-110-B-T:** Crestron Connect It™ Cable Caddy, No Cables or Outlet, Textured Black

**TT-110-GRY-T:** Crestron Connect It™ Cable Caddy, No Cables or Outlet, Textured Gray

**TT-111-B-T:** Crestron Connect It™ Cable Caddy w/Cables, No Outlet, Textured Black

**TT-111-GRY-T:** Crestron Connect It™ Cable Caddy w/Cables, No Outlet, Textured Gray

### Available Accessories

---

**HD-MD8X1-4K:** 4K Scaling Presentation Switcher

**DM-MD8X1-4K-C:** 4K Scaling Presentation Switcher w/HDBaseT® Output

**DMPS3-4K-150-C:** 3-Series® 4K DigitalMedia™ Presentation System 150

**DM-TX-4K-302-C:** 4K DigitalMedia 8G+® Transmitter 302

**DM-TX-4K-202-C:** 4K DigitalMedia 8G+® Transmitter 202

**DM-TX-401-C:** DigitalMedia 8G+® Transmitter 401

**DM-TX-201-C:** DigitalMedia 8G+® Transmitter 201

**PW-2407RU:** 18 Watt Cresnet® Power Supply, US/International

**CBL-Series:** Crestron® Certified Interface Cables

#### Notes:

1. Item(s) sold separately.
2. Compatible DM 8G+ Transmitters include the [DM-TX-4K-202-C](#), [DM-TX-4K-302-C](#), [DM-TX-401-C](#), and [DM-TX-201-C](#), all sold separately.
3. The DM-TX-201-C does not have a USB host port. It has a USB device port, which does not supply USB power. When connected to a DM-TX-201-C, the cable caddy must be powered through a connection to a Cresnet network or power supply. The [PW-2407RU](#) 18 Watt Cresnet Power Supply (sold separately) is available to power multiple cable caddies.

This product may be purchased from an authorized Crestron dealer. To find a dealer, please contact the Crestron sales representative for your area. A list of sales representatives is available online at [www.crestron.com/salesreps](http://www.crestron.com/salesreps) or by calling 800-237-2041.

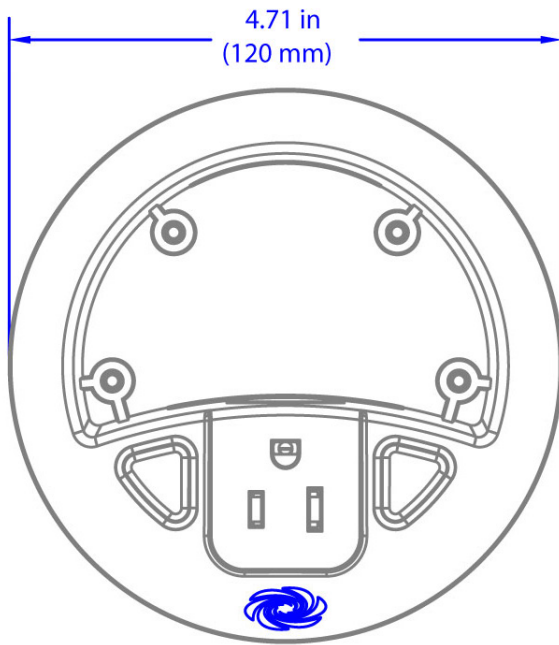
The specific patents that cover Crestron products are listed online at: [patents.crestron.com](http://patents.crestron.com).

Certain Crestron products contain open source software. For specific information, please visit [www.crestron.com/opensource](http://www.crestron.com/opensource).

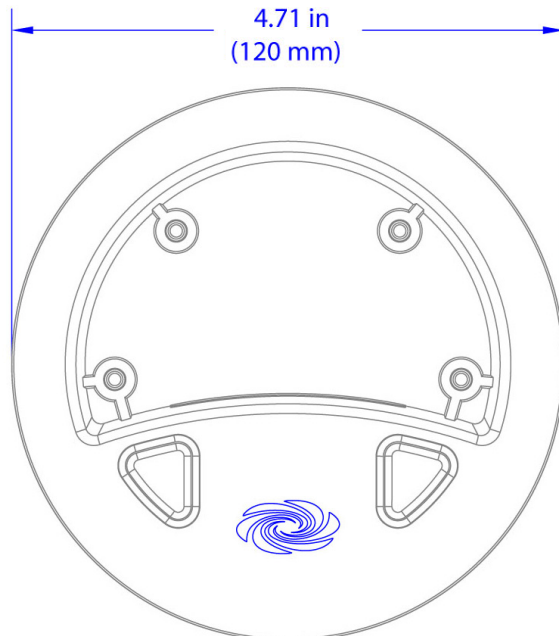
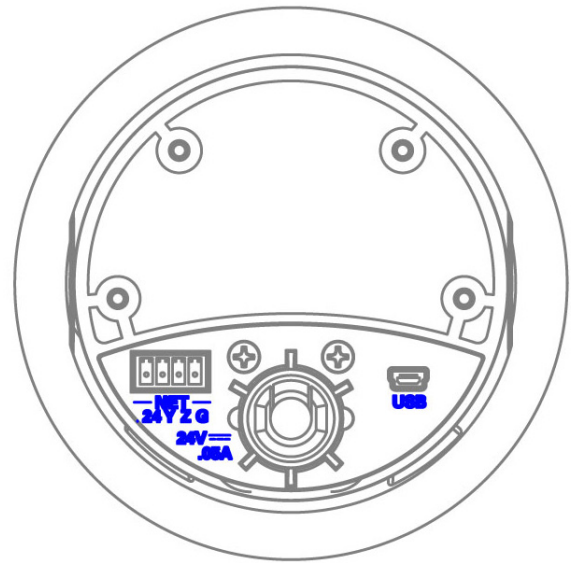
Crestron, the Crestron logo, 3-Series, Crestron Connect It, Cresnet, DigitalMedia, DigitalMedia 8G+, DM 8G+, HDBaseT, and Saros are either trademarks or registered trademarks of Crestron Electronics, Inc. in the United States and/or other countries. HDMI is either a trademark or registered trademark of HDMI Licensing LLC in the United States and/or other countries. Other trademarks, registered trademarks, and trade names may be used in this document to refer to either the entities claiming the marks and names or their products. Crestron disclaims any proprietary interest in the marks and names of others. Crestron is not responsible for errors in typography or photography. Specifications are subject to change without notice.

©2016 Crestron Electronics, Inc.

# TT-100 Crestron Connect It™ Cable Caddy



TT-100



TT-110

