

The Crestron® cable organizer for the UC-PR provides convenient tabletop cable management. The cable organizer routes audio and network connections from the UC-PR to a system's tabletop controller and routes audio and video connections to a user's laptop for Bring Your Own Device (BYOD) presentation.



## In the Box

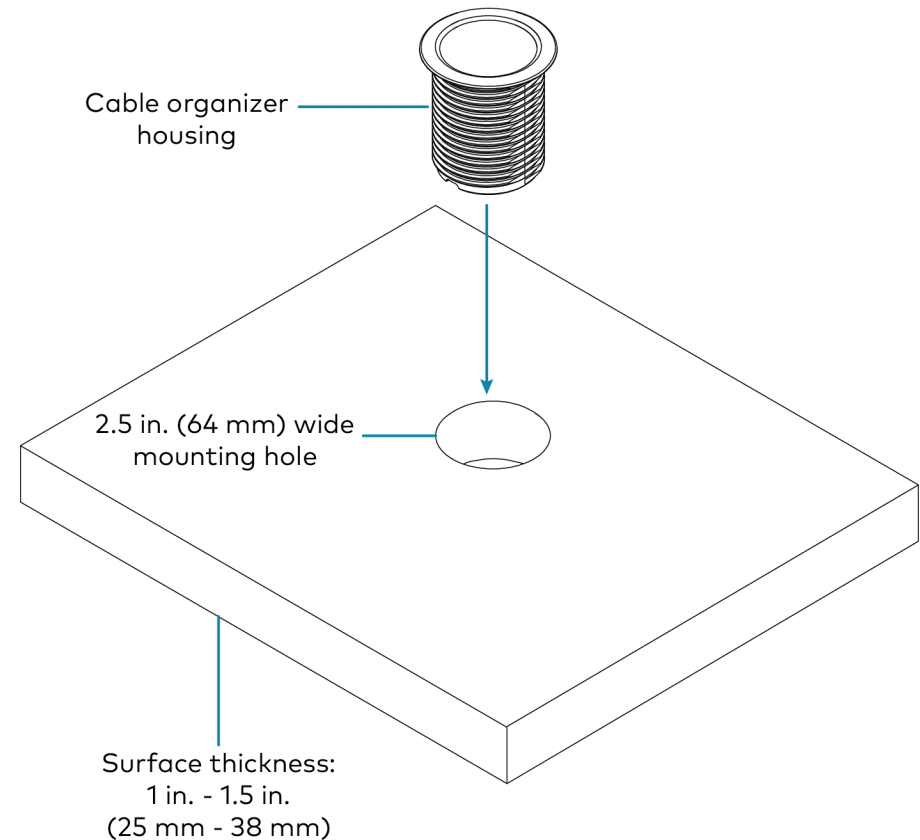
- 1 Cable organizer housing, Plastic, Black (2056826)
- 1 Cable organizer plate, Plastic, Black (2056825)
- 2 Locking nut, Plastic, Black (2056824)
- 2 Screw, 04-40, 3/8 in., Pan Head, Phillips, Black (2007170)
- 5 Cable tie wrap, 7.4 in. x 0.19 in., Black (2057355)



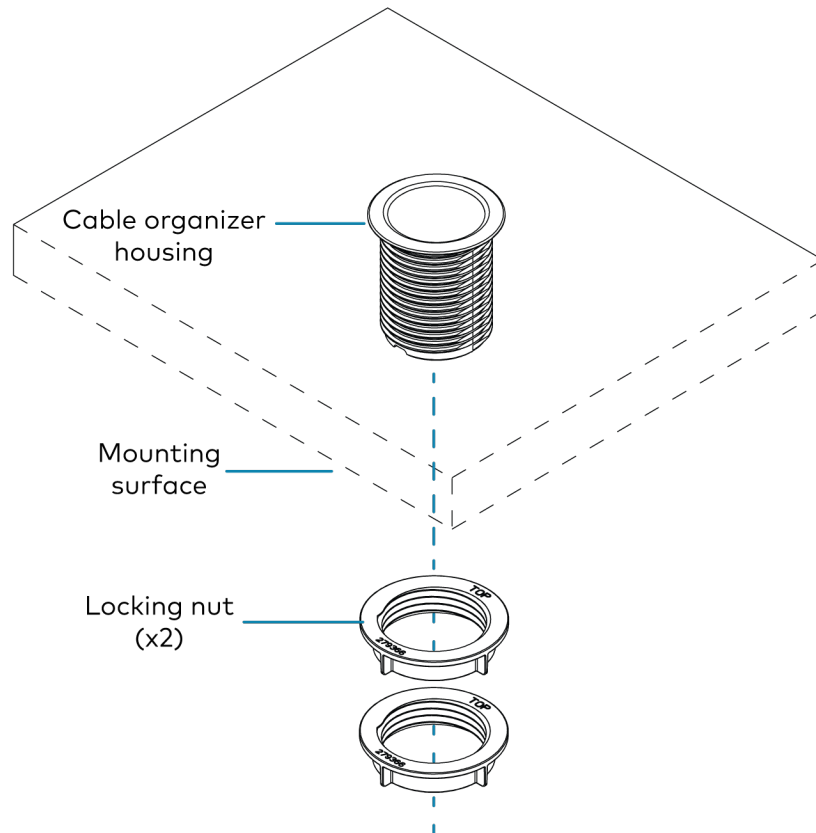
## Install the Cable Organizer

To install the cable organizer:

1. Select a mounting surface with a thickness of 1 in. (25 mm) to 1.5 in. (38 mm).
2. Use a hole saw to cut a 2.5 in. (64 mm) wide mounting hole in the mounting surface.
3. Insert the cable organizer housing into the mounting hole.

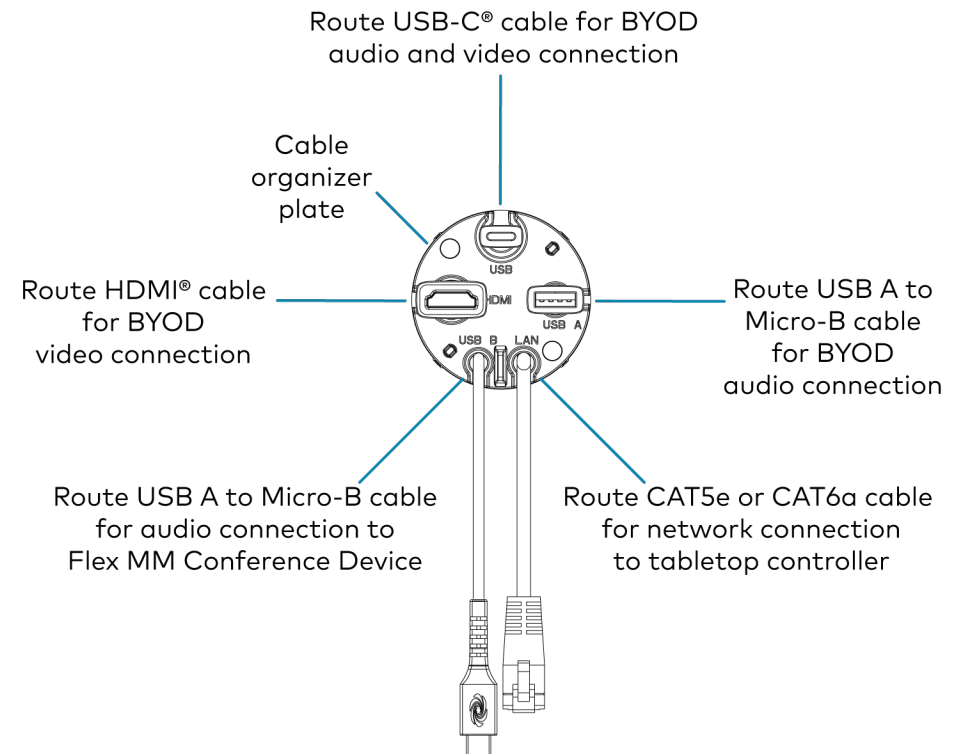


- Secure the cable organizer housing to the mounting surface using the included locking nuts. Ensure that the TOP label on the locking nuts faces the mounting surface.

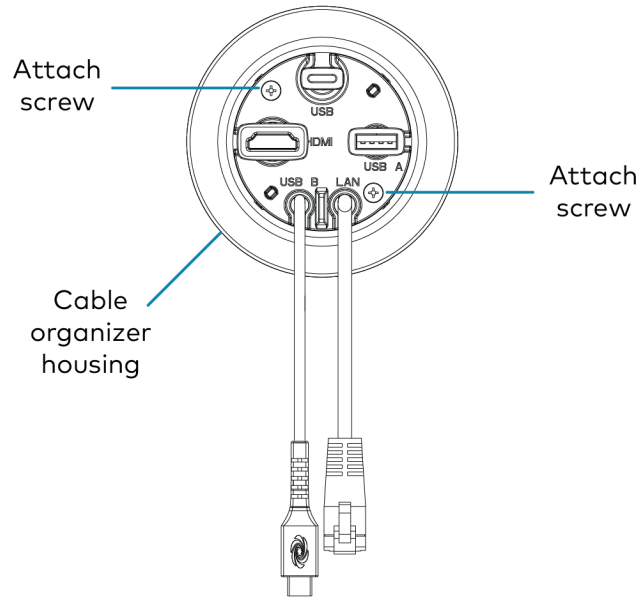


- Pass cables through the bottom of the cable organizer housing to the tabletop.
- Route the cables through the routing holes on the cable organizer plate. All of the necessary cables are included with the Crestron Flex conference system.

**NOTE:** The USB B routing hole is only used in systems with a Crestron Flex MM tabletop conference device.

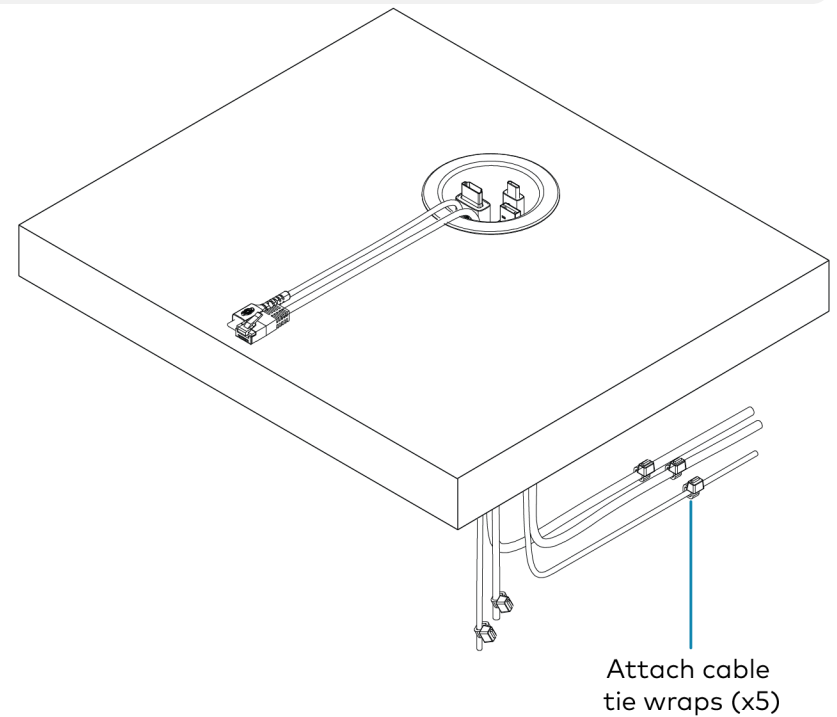


7. Attach the cable organizer plate to the cable organizer housing with the included screws.



8. Above the mounting surface, pull all of the cables out to the needed length. Ensure that there is at least 2 in. (51 mm) of cable slack beneath the mounting surface, and attach a cable tie to each cable. Trim the cable ties as needed and push the cables back to the cable organizer plate.

**NOTE:** The cable ties prevent overextension by catching on the bottom of the cable organizer plate when the cable is pulled to its maximum length. The added slack ensures that the cables will not disconnect from the UC-PR.





## Connect Devices

Connect devices using the cables routed through the cable organizer, as described in the system's Quick Start guide. Scan or click one of the following QR codes to view the system's Quick Start guide.

UC-BX30-T and UC-BX30-T-L



[www.crestron.com/docs/8885](http://www.crestron.com/docs/8885)

UC-BX30-Z and UC-BX30-Z-L



[www.crestron.com/docs/8884](http://www.crestron.com/docs/8884)

UC-BX30-T-WM and UC-BX30-T-L-WM



[www.crestron.com/docs/8945](http://www.crestron.com/docs/8945)

UC-BX30-Z-WM and UC-BX30-Z-L-WM



[www.crestron.com/docs/8943](http://www.crestron.com/docs/8943)

UC-CX100-T and UC-CX100-T-L



[www.crestron.com/docs/8883](http://www.crestron.com/docs/8883)

UC-CX100-Z and UC-CX100-Z-L



[www.crestron.com/docs/8882](http://www.crestron.com/docs/8882)

UC-CX100-T-WM and UC-CX100-T-L-WM



[www.crestron.com/docs/8949](http://www.crestron.com/docs/8949)

UC-CX100-Z-WM and UC-CX100-Z-L-WM



[www.crestron.com/docs/8947](http://www.crestron.com/docs/8947)

UC-MMX30-T(-I) and UC-MMX30-T-L(-I)



[www.crestron.com/docs/8881](http://www.crestron.com/docs/8881)

UC-MMX30-Z(-I) and UC-MMX30-Z-L(-I)



[www.crestron.com/docs/8880](http://www.crestron.com/docs/8880)

## Additional Information

### Original Instructions

The U.S. English version of this document is the original instructions. All other languages are a translation of the original instructions.

Crestron product development software is licensed to Crestron dealers and Crestron Service Providers (CSPs) under a limited nonexclusive, nontransferable Software Development Tools License Agreement. Crestron product operating system software is licensed to Crestron dealers, CSPs, and end-users under a separate End-User License Agreement. Both of these Agreements can be found on the Crestron website at [www.crestron.com/legal/software\\_license\\_agreement](http://www.crestron.com/legal/software_license_agreement).

The product warranty can be found at [www.crestron.com/warranty](http://www.crestron.com/warranty).

The specific patents that cover Crestron products are listed at [www.crestron.com/legal/patents](http://www.crestron.com/legal/patents).

Certain Crestron products contain open source software. For specific information, visit [www.crestron.com/opensource](http://www.crestron.com/opensource).

Crestron and the Crestron logo are either trademarks or registered trademarks of Crestron Electronics, Inc. in the United States and/or other countries. HDMI is either a trademark or registered trademark of HDMI Licensing LLC in the United States and/or other countries. USB-C is either a trademark or registered trademark of USB Implementers Forum, Inc. in the United States and/or other countries. Other trademarks, registered trademarks, and trade names may be used in this document to refer to either the entities claiming the marks and names or their products. Crestron disclaims any proprietary interest in the marks and names of others. Crestron is not responsible for errors in typography or photography.

©2021 Crestron Electronics, Inc.

Doc. 8966A

05/20/21