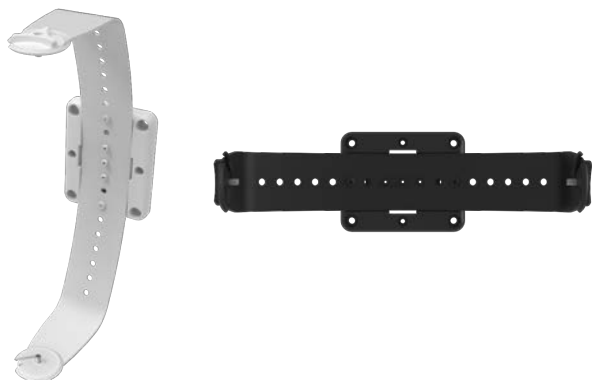


SPKA-PMK-SMT6T/SMT8T

Preconstruction Mounting Kit for Saros® Speakers, SMT6T and SMT8T



- Saros® Surface Mount speaker (SMT) bracket to prepare installs in advance
- Sturdy yoke bracket to facilitate vertical or horizontal speaker mounting on any solid surface
- Compatible with Saros® SMT speakers

The preconstruction mounting kit accessory is intended for use with the Crestron Saros® SMT series speakers:

- [SAROS SMT6T-AW-W-T-EACH](#)
- [SAROS SMT6T-AW-B-T-EACH](#)
- [SAROS SMT8T-AW-W-T-EACH](#)
- [SAROS SMT8T-AW-B-T-EACH](#)

The preconstruction mounting kit features a surface mount bracket and yoke bracket for installations where the wiring and placement will be done in advance of the speaker installation.

Specifications

Dimensions

Yoke Bracket

Width	2.36 in. (60 mm)
Height with rails (SMT6T)	12.76 in. (324 mm)
Height with rails (SMT8T)	14.57 in. (370 mm)
Depth (SMT6T)	6.51 in. (165 mm)
Depth (SMT8T)	7.58 in. (192 mm)

Surface Mount Bracket

Diameter	5.20 in. (132 mm)
Thickness	4.17 in. (106 mm)
Material	Die Cast Aluminium

Environmental

Temperature	4° to 176°F (-15.5° to 80°C)
Humidity	10% to 95% RH (non-condensing)

Weight

SPKA-PMK-SMT6T	1.28 lb (0.6 Kg)
SPKA-PMK-SMT8T	1.17 lb (0.5 Kg)

Models

SPKA-PMK-SMT6T-B-T

Preconstruction Mounting Kit for Saros® SMT6T Speakers, Black Textured

SPKA-PMK-SMT6T-W-T

Preconstruction Mounting Kit for Saros® SMT6T Speakers, White Textured

SPKA-PMK-SMT8T-B-T

Preconstruction Mounting Kit for Saros® SMT8T Speakers, Black Textured

SPKA-PMK-SMT8T-W-T

Preconstruction Mounting Kit for Saros® SMT8T Speakers, White Textured

This product may be purchased from select authorized Crestron dealers and distributors. To find a dealer or distributor, please contact the Crestron sales representative for your area. A list of sales representatives is available online at www.crestron.com/How-To-Buy/Find-a-Representative or by calling 855-263-8754.

This product is covered under the Crestron standard limited warranty. Refer to www.crestron.com/warranty for full details.

The specific patents that cover Crestron products are listed online at patents.crestron.com.

Certain Crestron products contain open source software. For specific information, please visit www.crestron.com/opensource.

Crestron, the Crestron logo, and Saros are either trademarks or registered trademarks of Crestron Electronics, Inc. in the United States and/or other countries. Other trademarks, registered trademarks, and trade names may be used in this document to refer to either the entities claiming the marks and names or their products. Crestron disclaims any proprietary interest in the marks and names of others. Crestron is not responsible for errors in typography or photography.

Specifications are subject to change without notice.

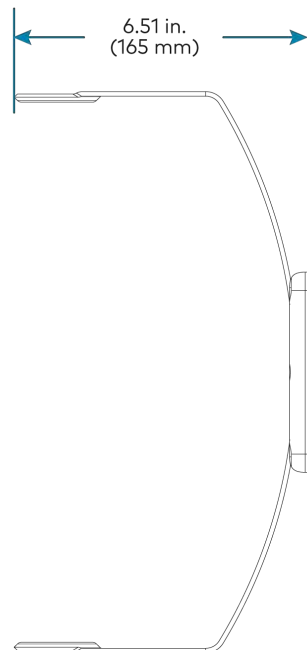
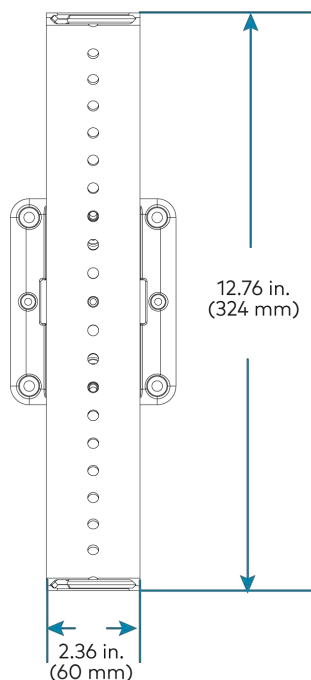
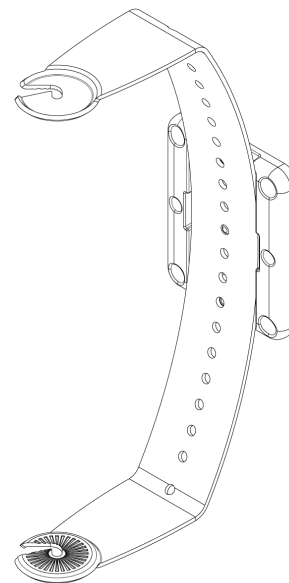
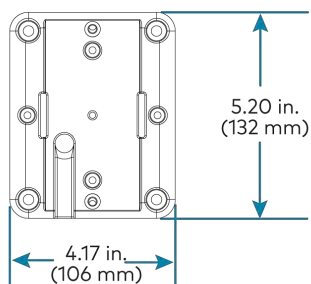
©2022 Crestron Electronics, Inc.

Rev 11/01/22

SPKA-PMK-SMT6T/SMT8T

Preconstruction Mounting Kit for Saros® Speakers, SMT6T and SMT8T

SAROS-SPKA-PMK-SMT6T



SPKA-PMK-SMT6T/SMT8T

Preconstruction Mounting Kit for Saros® Speakers, SMT6T and SMT8T

SAROS-SPKA-PMK-SMT8T

