

Zūm® Net Wireless Gateway for Zūm Lighting Control System

The Crestron® ZUMNET-GATEWAY is a 2-way RF wireless transceiver designed for use with products that use the Zūm Net wireless communications protocol. A single ZUMNET-GATEWAY works with the ZUM-FLOOR-HUB (not included) to provide central monitoring, management, reporting, and control of lighting systems throughout the enterprise.

NOTE: "Zūm Net" refers to the wireless mesh network that connects one or more rooms with a Zūm Floor Hub, and consists of one Zūm Net Wireless Gateway and one or more Zūm Network Bridges. Each Zūm Network Bridge functions as a routing node, which relays the signals it receives on to any other Zūm Net devices within range. This effectively extends the total range of the network and provides multiple redundant signal paths for extra reliability. A maximum of six "hops" across routing nodes is allowed, although a maximum of three is recommended. Up to 100 Zūm Net devices are permitted per gateway, although best practices suggest a limit of 50. Refer to the [Installation and Setup of Crestron RF Products Best Practices](#) (Doc. 6689) for more information.



In the Box

- 1 ZUMNET-GATEWAY, Zūm® Net Wireless Gateway for Zūm Light Control System

Additional Items

- 1 Mounting Bracket, Integrated DIN Rail Clip, Black (4519035)
- 1 Antenna, 2.4 GHz, 1/4 Wave, Reverse Polarity, Female (2001016)
- 1 Cable, Ethernet, CAT5e, 5 ft (1.52 m), Black (2022311)
- 2 Screw, 6-32 x 3/8 in., Pan Head, Phillips, Black (2007225)

Zūm® Net Wireless Gateway for Zūm Lighting Control System



Installation

Select the Mounting Location

For optimum performance when installing multiple ZUMNET-GATEWAY devices near each other:

- Do not stack multiple gateways.
- Do not place multiple gateways on the same channel.
- Place gateways at least 15 ft (4.6 m) apart.

For optimum performance when installing a ZUMNET-GATEWAY:

- Place gateways at least 15 ft (4.6 m) from the nearest Wi-Fi® access point.
- Place gateways at least 6 ft (1.8 m) from the nearest Bluetooth® device.

For more information, refer to [Installation and Setup of Crestron RF Products](#) (Doc. 6689).

Mount the Device

NOTES:

- Install and use this product in accordance with appropriate electrical codes and regulations.
- A qualified electrician must install this product.
- Do not install this gateway within 15 ft (4.6 m) of other Zūm Net or infiNET EX® gateways.
- The ZUMNET-GATEWAY can also be rack mounted. For rack mount installation, refer to the [RMK-IFE-1U Installation Guide](#) (Doc. 7627).

Mount the ZUMNET-GATEWAY onto a DIN rail or onto a vertical flat surface. It can also be placed onto a horizontal flat surface.

Zūm® Net Wireless Gateway for Zūm Lighting Control System

DIN Rail Mounting

To mount the ZUMNET-GATEWAY on a DIN rail:

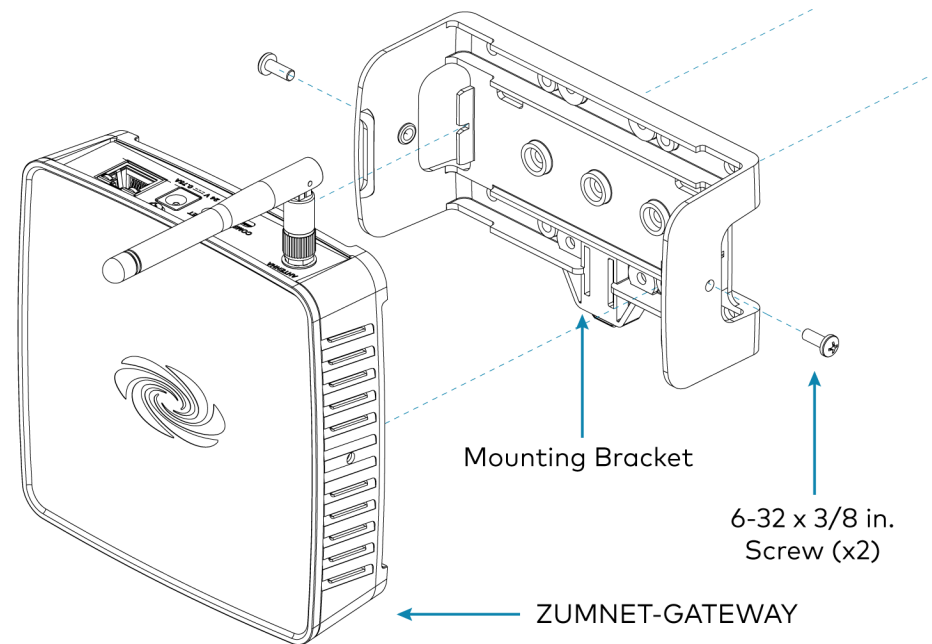
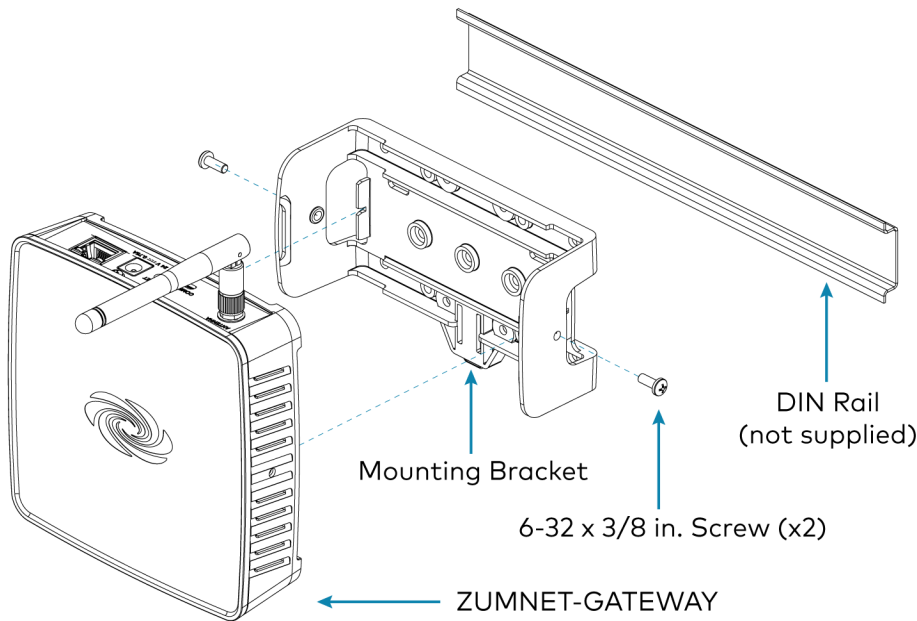
1. Attach the bracket to the DIN rail by snapping it into place.
2. Attach the ZUMNET-GATEWAY to the bracket by snapping it into place.
3. Insert the supplied 6-32 x 3/8 in. screws through the side of the bracket and secure the gateway.

NOTE: When mounting to a DIN rail, use the screw holes only on the side of the bracket when securing the gateway to the bracket. Using the screw holes on the back of the bracket to secure the gateway to the bracket will prevent removal of the device from the DIN rail.

Vertical Flat Surface Mounting

To mount the ZUMNET-GATEWAY on a vertical flat surface:

1. Attach the bracket to the wall (wall mount screws not included).
2. Attach the ZUMNET-GATEWAY to the bracket by snapping it into place.
3. Insert the supplied 6-32 x 3/8 in. screws through the side of the bracket and secure the gateway.



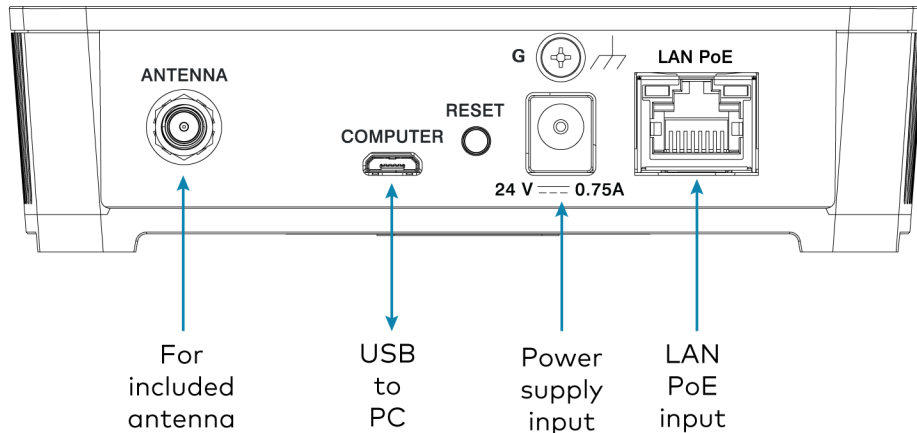
Zūm® Net Wireless Gateway for Zūm Lighting Control System

Make Connections

Make the necessary connections as called out in the illustrations that follow. Apply power after all connections have been made.

NOTES:

- When making connections to the ZUMNET-GATEWAY, use Crestron power supplies for Crestron equipment.
- The antenna must be attached directly to the antenna connector. It can be extended with an optional ANT-EXT-10 Antenna Extender (sold separately).



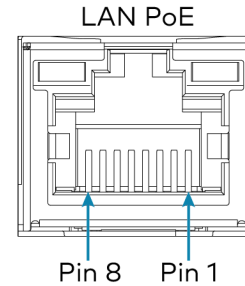
To supply power using a Crestron PoE injector (sold separately), do the following.

1. Attach the supplied AC power cord to the IEC 320 connector on the PoE (Power over Ethernet) injector.
2. Use a CAT5e cable to connect the LAN port of the PoE injector to the LAN.

3. Use a CAT5e cable to connect the LAN POE port of the PoE injector to the LAN PoE input port of the ZUMNET-GATEWAY.
4. Insert the other end of the power cord into an active AC outlet.

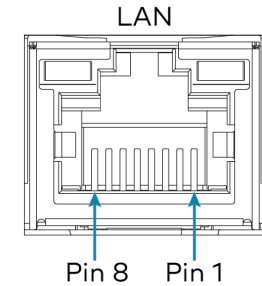
NOTE: In the listing of LAN PoE and LAN pins in the following image, arrows denote internal pin connections.

LAN PoE and LAN Pin Assignments



LAN PoE Pins

1. Data Pair 1
2. Data Pair 1
3. Data Pair 2
4. +VDC
5. +VDC
6. Data Pair 2
7. -VDC
8. -VDC



LAN Pins

1. Data Pair 1
2. Data Pair 1
3. Data Pair 2
4. No Connection
5. No Connection
6. Data Pair 2
7. No Connection
8. No Connection

Zūm® Net Wireless Gateway for Zūm Lighting Control System



Visit the Product Page

Scan the QR code to visit the product page.

ZUMNET-GATEWAY



www.crestron.com/model/6508255

Additional Information

Original Instructions

The U.S. English version of this document is the original instructions. All other languages are a translation of the original instructions.

Crestron product development software is licensed to Crestron dealers and Crestron Service Providers (CSPs) under a limited nonexclusive, nontransferable Software Development Tools License Agreement. Crestron product operating system software is licensed to Crestron dealers, CSPs, and end-users under a separate End-User License Agreement. Both of these Agreements can be found on the Crestron website at www.crestron.com/legal/software_license_agreement.

The product warranty can be found at www.crestron.com/warranty.

The specific patents that cover Crestron products are listed at www.crestron.com/legal/patents.

Certain Crestron products contain open source software. For specific information, visit www.crestron.com/opensource.

Crestron, the Crestron logo, infiNET EX, and Zūm are either trademarks or registered trademarks of Crestron Electronics, Inc. in the United States and/or other countries. Bluetooth is either a trademark or registered trademark of Bluetooth SIG, Inc. in the United States and/or other countries. Wi-Fi is either a trademark or registered trademark of Wi-Fi Alliance in the United States and/or other countries. Other trademarks, registered trademarks, and trade names may be used in this document to refer to either the entities claiming the marks and names or their products. Crestron disclaims any proprietary interest in the marks and names of others. Crestron is not responsible for errors in typography or photography.

©2020 Crestron Electronics, Inc.

Doc ID 7936D

07/28/20