

CS-SHADE-ROLLER-BATT

Crestron® Battery Powered Shades



- *Easy installation in post-construction or retrofit applications*
- *3 year (average) battery life*
- *Install shades where power and control cabling cannot be run*
- *Designed for use with Crestron® QMT®3 Series Architectural or QMT3 Series Décor shade hardware*
- *For roller shades 25.44 to 96 in. (646 to 2,439 mm) wide using Décor or Architectural shade hardware*
- *Digital Quiet Motor Technology™ provides silent operation and precise positioning*
- *Dependable, brushless motor design provides reliable, long-life operation*
- *Patented automatic torque calibration technology detects obstructions to prevent damage*
- *Programmable stop points afford customizable scene presets*
- *Real-time remote activity monitoring and status feedback*
- *Local push button interface for setup and testing*
- *Onboard multicolor diagnostic LED*
- *Quick and easy installation*
- *Fully integrated antenna— no external antenna or dongle required*
- *Control system integration using SG wireless communications*
- *Powered using 8 D cell batteries in an external battery pack*
- *Limited Lifetime Warranty*

Crestron® battery-powered shades (CS-SHADE-ROLLER-BATT) add beauty, convenience, and comfort to any interior space.¹ Install battery-powered shades in locations where power and control wires cannot be run. A battery pack powers the shade motor while the SG radio provides control and status of the shade.

Long-life Battery Operation

Power is supplied to the QMT® shade motor via 8 D cell batteries² (not supplied). The batteries are stored in an external battery compartment that is mounted in the fascia of QMT3 Series Architectural shade hardware. When mounting with QMT3 Series Décor shade hardware, the battery compartment can be hidden behind the roller shade fabric, valence, or drapes, and can be color-matched to the bracket hardware.

QMT®3 Series Architectural or Décor Mounting Hardware

Designed for use with Crestron® QMT®3 Series Architectural ([CSS-ARCH3](#)) or QMT3 Series Décor ([CSS-DECOR3](#)) mounting hardware.¹ QMT3 series mounting hardware is a compact mounting system that allows a Crestron shade to be mounted on a wall, ceiling, or window jamb.

The CSA-ARCH3 fascia for battery-operated shades includes an integrated battery holder that neatly stores the battery compartment. The battery holder swings open to provide easy access for battery replacement.

Natural and Artificial Daylight Control

Protect fine furnishings and floor coverings from harmful UV rays with intelligent shading solutions. For added energy efficiency, shades can also reduce solar-heat gain in the summer and utilize its warmth in the winter.

Security and Privacy

Shades provide privacy and security. Use semi-translucent shade fabrics to allow natural light into the space, or blackout shade fabric to completely block views.

Quiet Shade Motors

Crestron automated shades feature low-voltage Digital QMT® shade motors for quiet operation. Crestron shades help manage daylight without audible disruptions to the space.

Brushless Motor Technology

The Crestron Digital QMT shade motor is a brushless design, which translates into exceptional reliability, smoother operation, and ultra-quiet performance.

Easy Installation

Crestron shades are easy to install. Brackets are easily mounted, and the shade components are secured with no special tools required.

Crestron Design Tool Shades (CDTS) Software

The [Crestron Design Tool Shades \(CDTS\)](#) is a web-based tool used for quoting and ordering Crestron roller shades and

CS-SHADE-ROLLER-BATT

Crestron® Battery Powered Shades

drapery tracks. The software may be used to easily create proposals for customers and place orders directly to Crestron.

Specifications

Shade Motor

CSM-QMTDC-163-1-SG For details, refer to the [CSM-QMTDC-163-1-SG](#) product page.

CSMI-QMTDC-163-1-SG For details, refer to the [CSMI-QMTDC-163-1-SG](#) product page.

Shade Brackets

CSS-ARCH3 For details, refer to the [CSS-ARCH3](#) product page.

CSS-DECOR3 For details, refer to the [CSS-DECOR3](#) product page.

Environmental

Temperature 32° to 104° F (0° to 40° C)

Humidity 10% to 90% RH (noncondensing)

Dimensions

System Width **Décor shade hardware:** 25.44 to 96 in. (646 to 2,439 mm);
Architectural shade hardware: 25.44 to 96 in. (646 to 2,439 mm);
Architectural shade hardware with blackout channels: 29 to 96 in. (737 to 2,439 mm);
Depending upon shade height and fabric selection

Compliance

Regulatory Model: M202034001

UL, cUL, FCC, IC, CE, RCM

Model

CS-SHADE-ROLLER-BATT

Crestron® Battery Powered Shades

Available Accessories

For a list of available accessories, visit the [CS-SHADE-ROLLER-BATT](#) product page.

Notes:

1. Battery-powered shade motors cannot be used with roman shades, horizontal sheers, dual-roll brackets, couplers, and pockets.
2. Estimated battery life is based on two open/close cycles per day. High environmental temperatures and shades taller than 60 in. (1524 mm) can reduce the battery life.

This product may be purchased from select authorized Crestron dealers and distributors. To find a dealer or distributor, please contact the Crestron sales representative for your area. A list of sales representatives is available online at [www.crestron.com/How-To-Buy/Find-a-Representative](#) or by calling 855-263-8754.

This product is covered under the Crestron standard limited warranty. Refer to [www.crestron.com/warranty](#) for full details.

The specific patents that cover Crestron products are listed online at [patents.crestron.com](#).

Certain Crestron products contain open source software. For specific information, please visit [www.crestron.com/opensource](#).

Crestron, the Crestron logo, QMT, and Quiet Motor Technology are either trademarks or registered trademarks of Crestron Electronics, Inc. in the United States and/or other countries. Other trademarks, registered trademarks, and trade names may be used in this document to refer to either the entities claiming the marks and names or their products. Crestron disclaims any proprietary interest in the marks and names of others. Crestron is not responsible for errors in typography or photography.

Specifications are subject to change without notice.

©2024 Crestron Electronics, Inc.

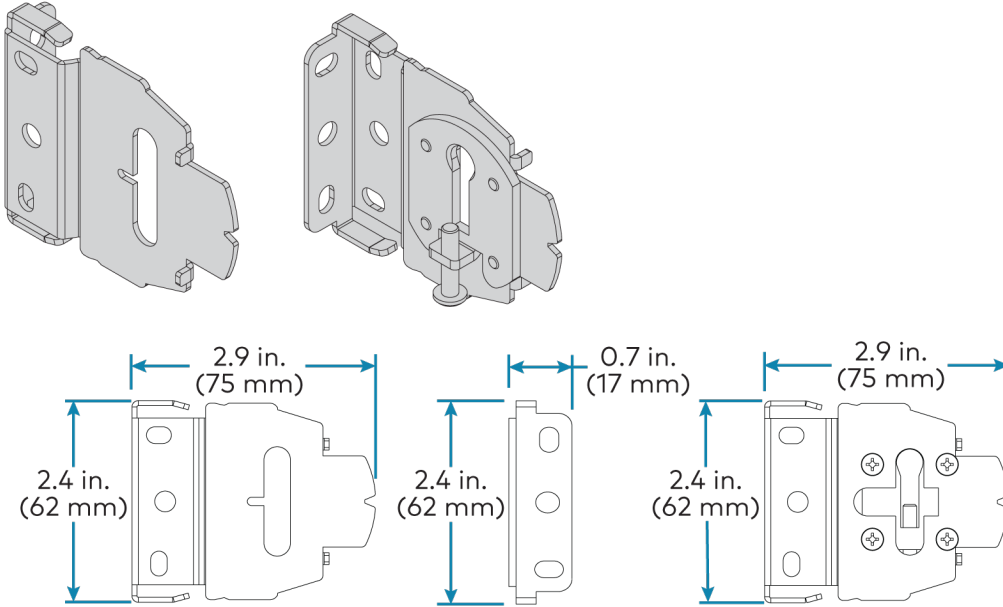
Rev 06/10/24

CS-SHADE-ROLLER-BATT

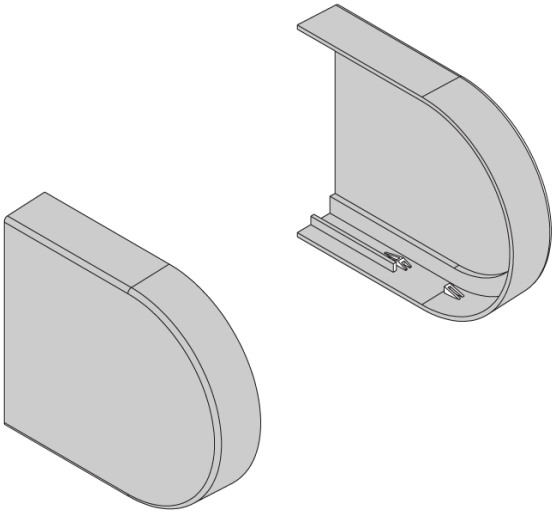
Crestron® Battery Powered Shades

CSS-DECOR3 Bracket

CSS-DECOR3 Bracket (Left and Right)



CSS-DECOR3 End Caps

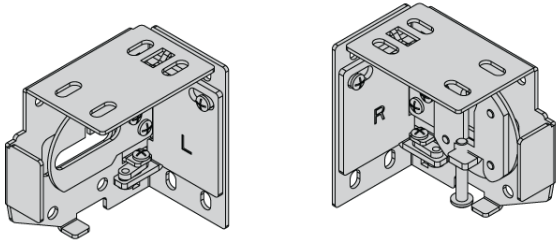


CS-SHADE-ROLLER-BATT

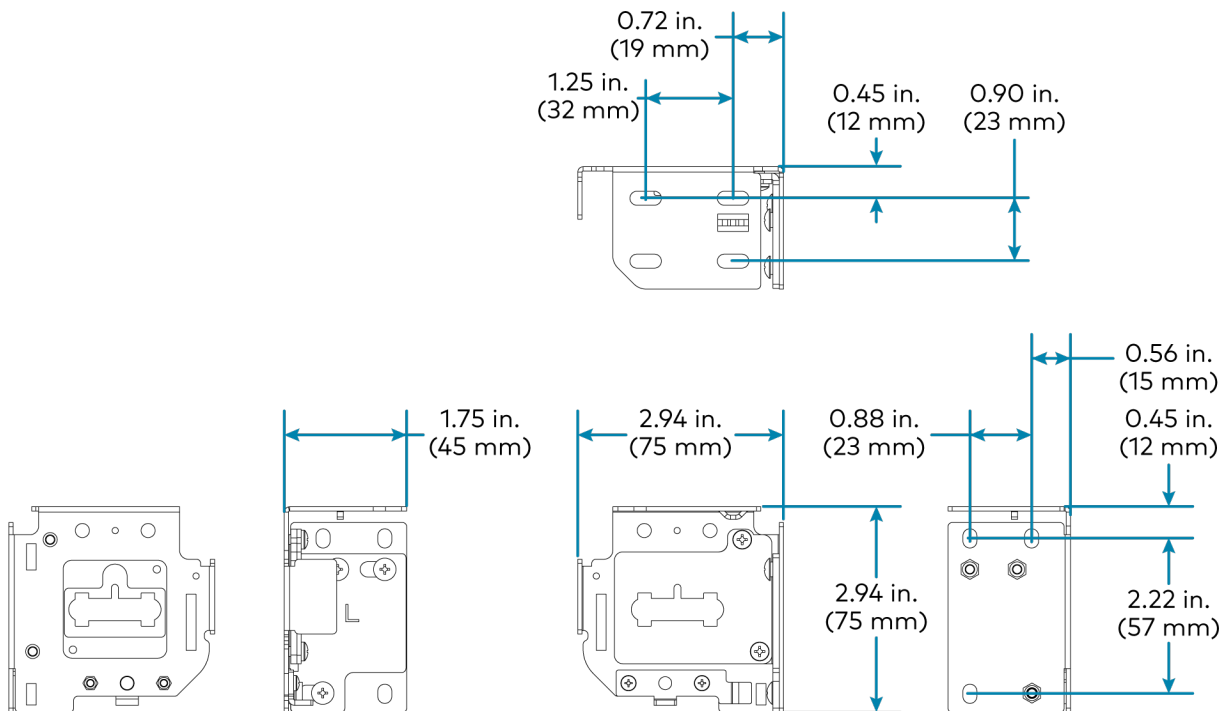
Crestron® Battery Powered Shades

CSS-ARCH3 Bracket

CSS-ARCH3 Bracket (Left and Right)



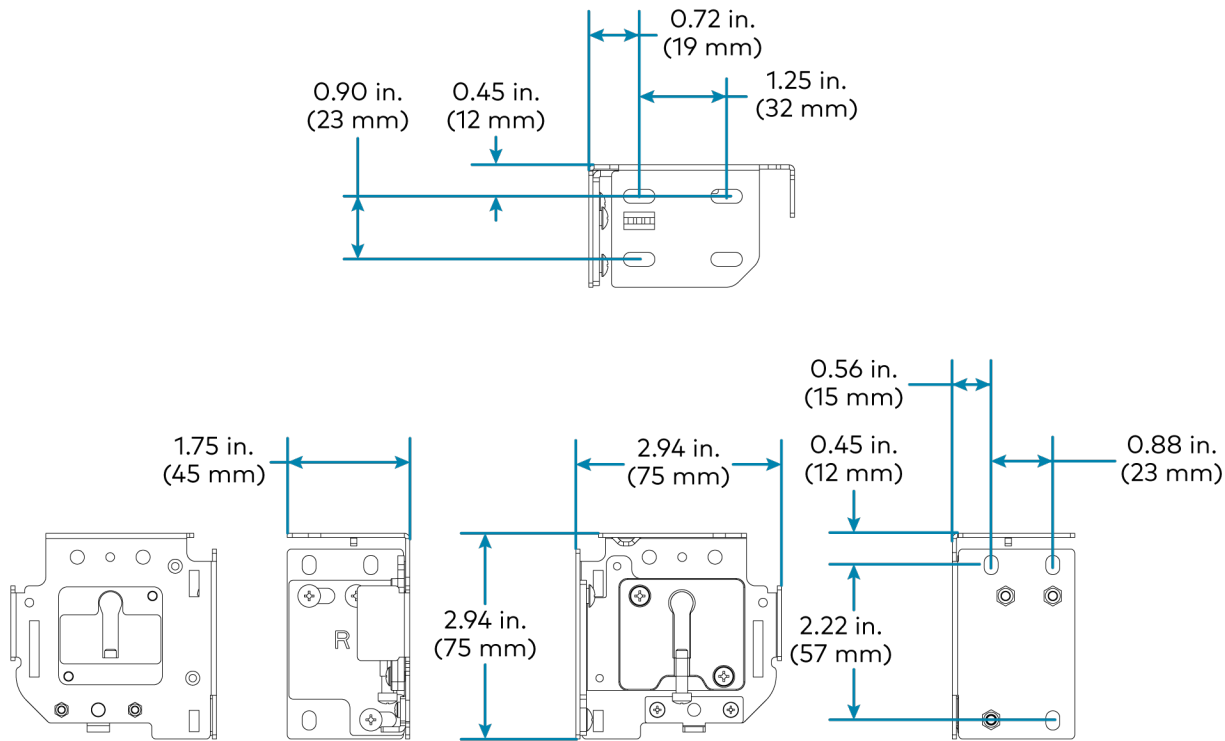
CSS-ARCH3 Dimensions (Left Bracket)



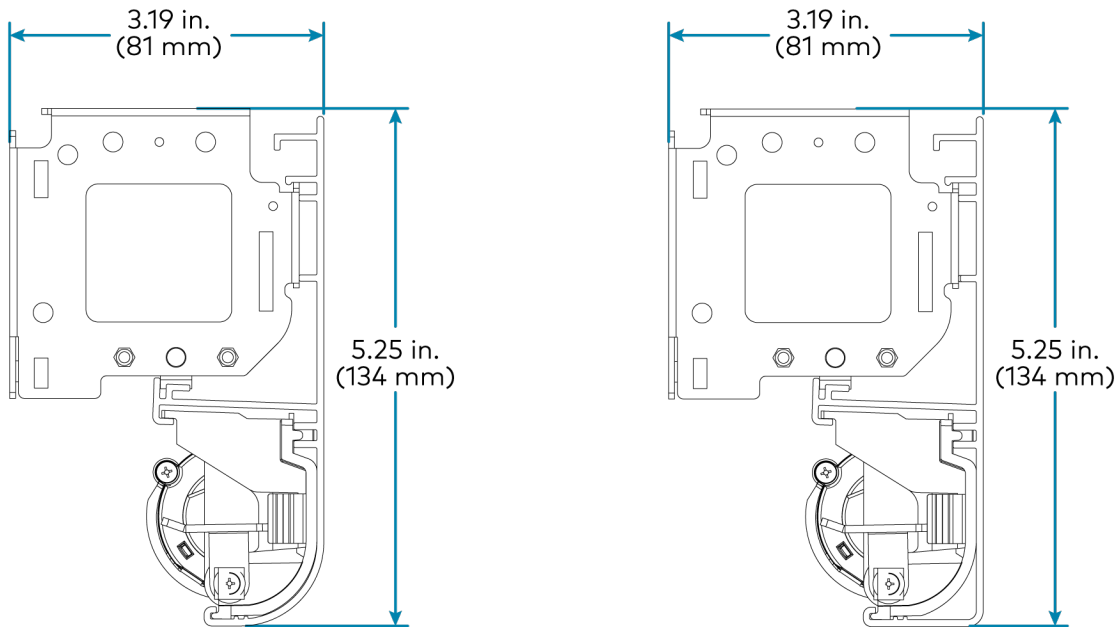
CS-SHADE-ROLLER-BATT

Crestron® Battery Powered Shades

CSS-ARCH3 Dimensions (Right Bracket)

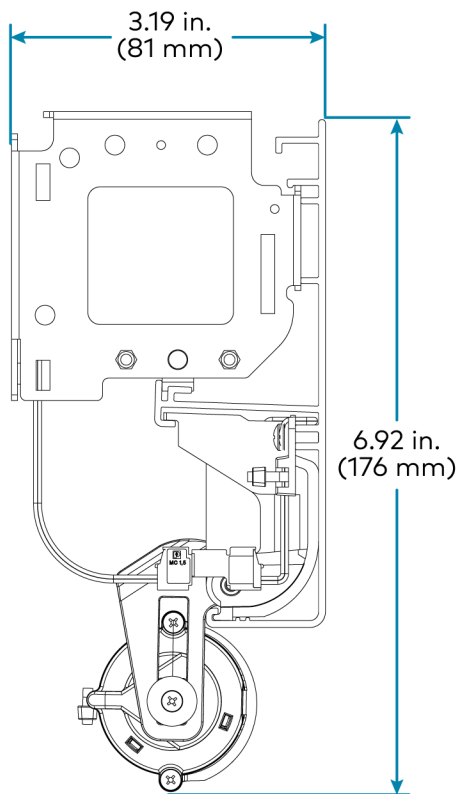


CSS-ARCH3 Dimensions with Fascia (Curved and Square)

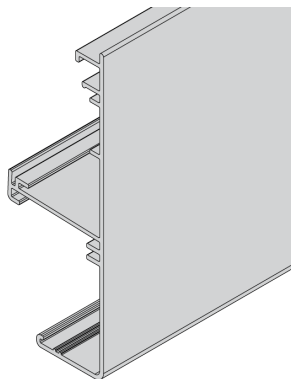
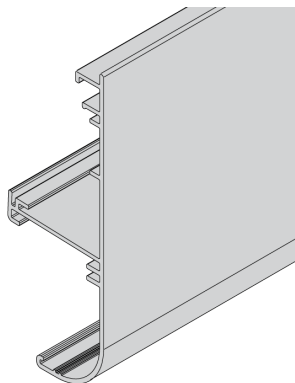


CS-SHADE-ROLLER-BATT

Crestron® Battery Powered Shades

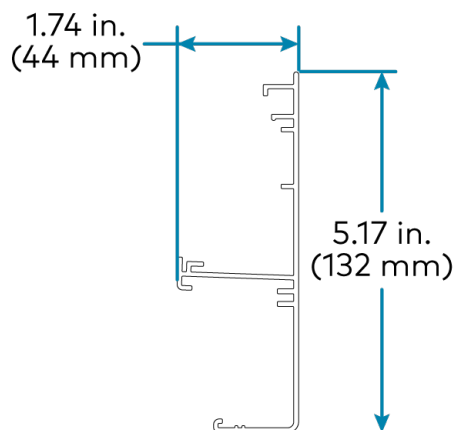
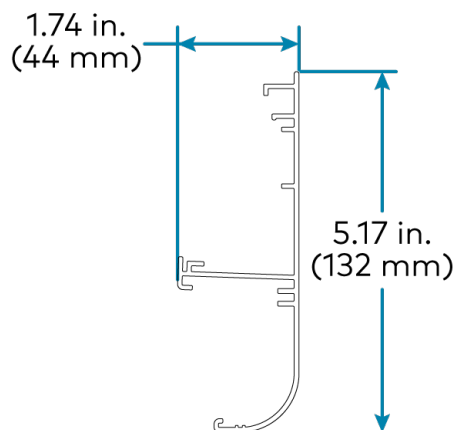


CSS-ARCH3 Fascia (Curved and Square)



CS-SHADE-ROLLER-BATT

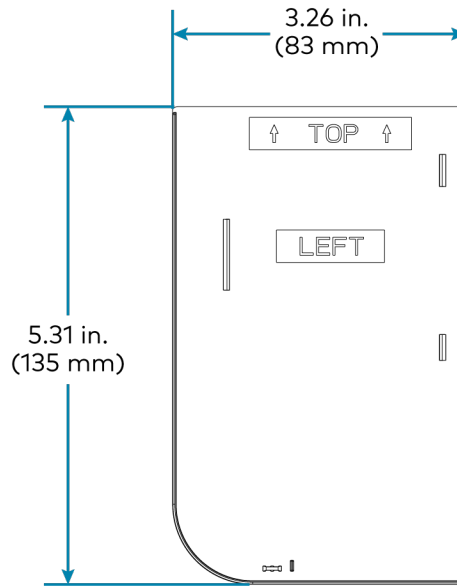
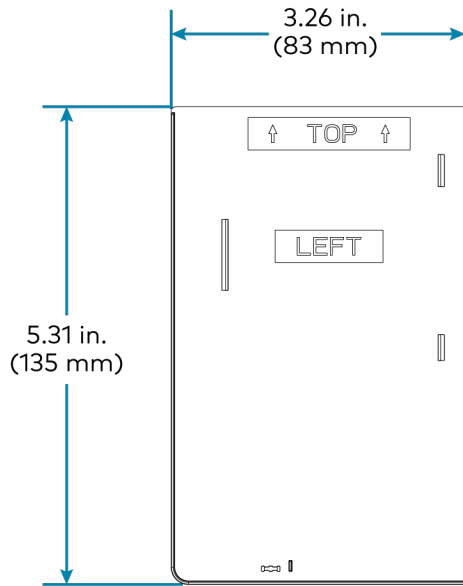
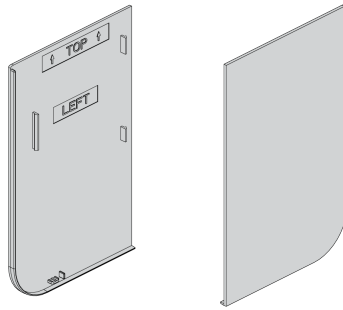
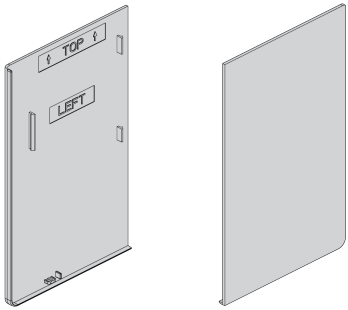
Crestron® Battery Powered Shades



CS-SHADE-ROLLER-BATT

Crestron® Battery Powered Shades

CSS-ARCH3 End Caps (Curved and Square)

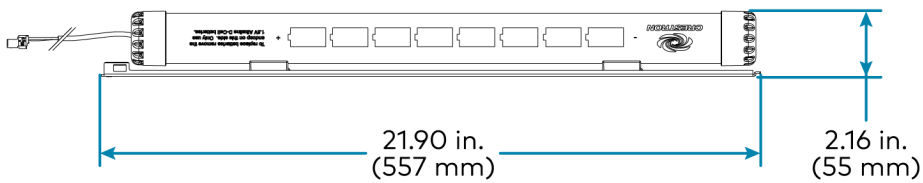
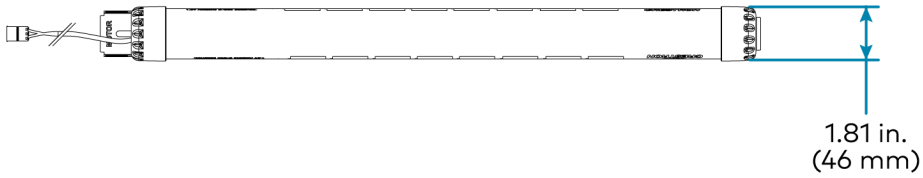


CS-SHADE-ROLLER-BATT

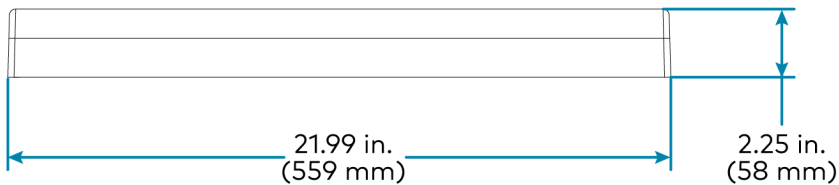
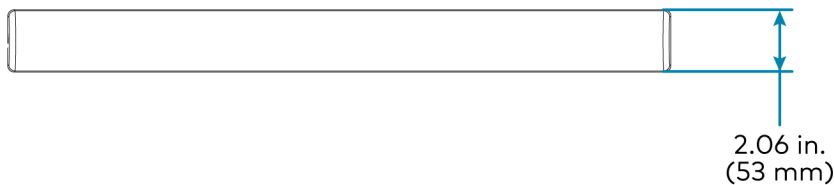
Crestron® Battery Powered Shades

Battery Pack

Battery Pack Dimensions

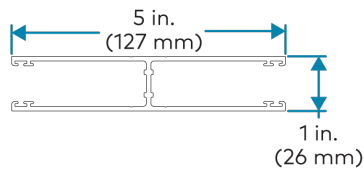
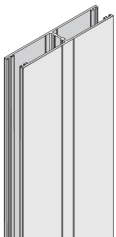


Battery Pack Cover Dimensions



Blackout Accessories

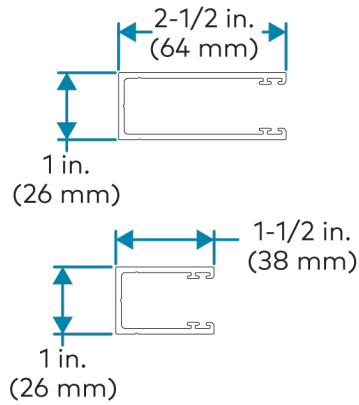
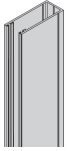
H-Channel



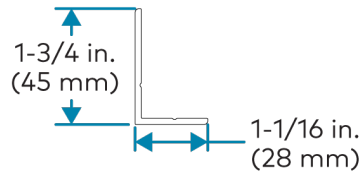
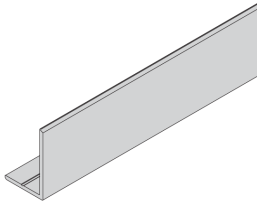
CS-SHADE-ROLLER-BATT

Crestron® Battery Powered Shades

Side Channel



Sill Angle



Channel Cap

