

SMARTCODE™ 916 TOUCHSCREEN DEADBOLT FEATURING INFINET EX®

Model #: 916

Function: Single Cylinder Electronic Touchscreen Deadbolt



Convenience

- Capacitive touchscreen keypad with one-touch locking
- Motorized locking mechanism enables true remote locking & unlocking
- Tapered deadbolt design permits misaligned doors to lock & unlock with ease
- SmartKey® easy re-key backup keyway
- Interior LED status indicator—Locked/unlocked status & low battery status
- Auto re-lock feature—locks door 30-seconds after unlocking

Security

- 128-bit Advanced Encryption Standard (AES) communication
- SecureScreen™ - patent-pending security feature (prevents on-screen fingerprint user code identification)
- MasterCode feature
- 30 user access code capacity, 4-8 digit code length
- Incorrect code protection with audible alarm
- Audit trail logging stores access history in the lock memory
- Date/time schedule user access control via the controller
- BHMA Grade 2 Certified
- Drill and pick resistant backup keyway with BumpGuard™ protection
- UL-certified 20-minute fire rating

Customizable Features

- SecureScreen™ security feature - ON/OFF
- Auto re-lock 30-seconds after unlocking - ON/OFF
- Interior LED locked/unlocked status - ON/OFF
- Audible feedback - ON/OFF

Specifications

Electrical:

Input Power 6V (4 x AA alkaline batteries)

Mechanical:

Door Prep 2 1/8" diameter face hole & 1" diameter latch hole

Backset Adjustable 2 3/8" or 2 3/4"

Door Thickness 1 3/8" - 2" automatic adjustment

Faceplates 1" x 2 1/4" round corner standard

Strikes Round corner strike 1 1/8" x 2 3/4"

Latch Round corner adjustable 2 3/8" x 2 3/4"

Bolt 1" throw, steel deadbolt

Door Handing Reversible

Cylinder SmartKey® Keyway

Environmental:

Temperature Range Exterior: -40°F to 150°F
Interior: 32°F to 140°F

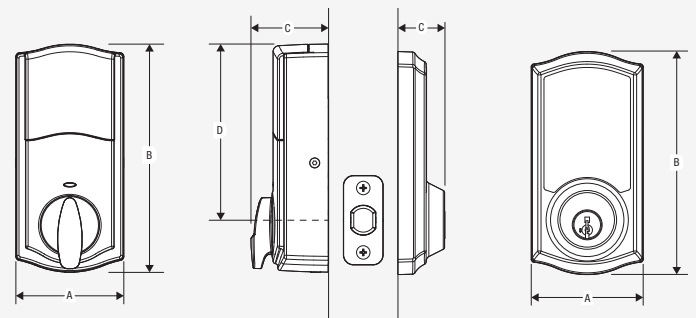
Humidity Exterior: 100% condensing
Interior: 30% - 95% non-condensing

Wireless Communication

- infiNET EX® wireless protocol compatible
- RF Operation: 2.4 GHz (World)
- Range: Typical 250ft line of sight

Electronic Compliance

- ZigBee: infiNET EX®
- FCC Part 15
- Industry Canada



Design	A	B	C	D
Interior	2 3/4" (70 mm)	5 3/4" (146 mm)	1 15/16" (49 mm)	4 9/16" (116 mm)
Exterior	2 13/16" (72 mm)	5 5/8" (143 mm)	1 3/16" (30 mm)	---

Enabled Lock Features:

- Monitor lock status (locked/unlocked)
- Remote locking and unlocking
- Lock jam notification

Enabled Lock Management Features:

- Over The Air (OTA) updates
- Multiple user type settings
 - Enable/Disable user codes
 - User codes can be programmed to give 24/7 access or scheduled for specific time frames
- Remote Lock Configuration
 - Add/Remove users
 - Status LED On/Off
 - AutoLock (user enabled/disabled)
 - Sound on/off
- Remote and local reset to factory default settings
- Remote power status information
- Tamper detection - Alarm if the device senses lock disassembly
- Audio/Visual enrollment success indicator
- Invalid code entry alarm with lockout state duration (user configurable)