

## DMPS Lite™ 4K Multiformat AV Switch and Receiver

The HD-RX-4K-510-C-E and HD-RX-4K-410-C-E are DMPS Lite™ 4K multiformat AV switches and receivers. The devices provide enhanced HDMI® video switching and audio presentation capabilities in areas such as conference rooms and classrooms.



### In the Box

- 1 HD-RX-4K-510-C-E or HD-RX-4K-410-C-E DMPS Lite™ 4K Multiformat AV Switch and Receiver

#### Additional Items

- 4 Anchor, Drywall, Plastic (2053825)
- 5 Connector, 2-Pin (2003574)
- 2 Connector, 2-Pin (2044402)
- 3 Connector, 3-Pin (2003575)
- 5 Connector, 5-Pin (2003577)
- 1 Power Cord, 6 ft 7 in. (2 m) (2001134)
- 4 Screw, 8-15A x 3/4 in., Flat Head, Phillips (2053836)

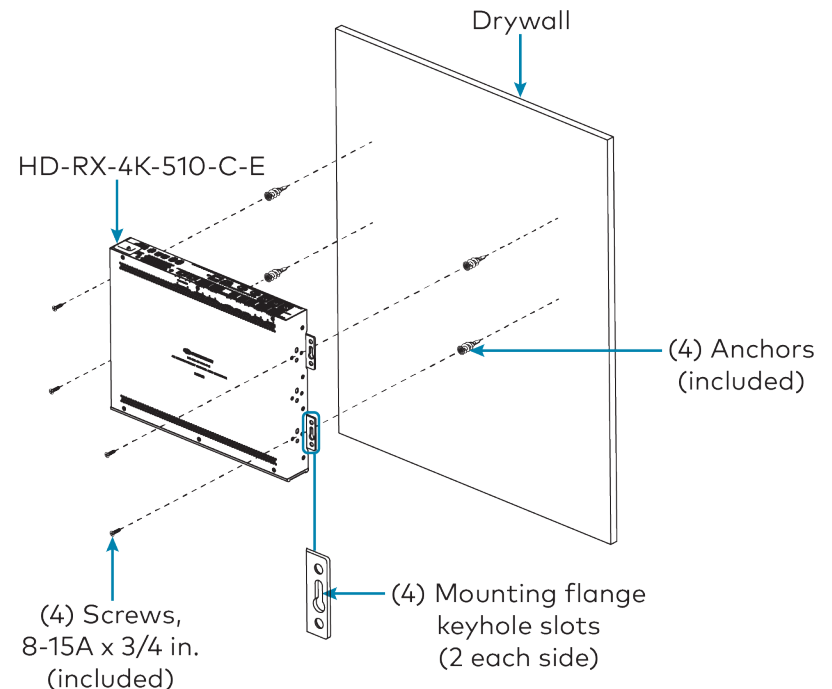


## Install the Device

To install the device, mount it onto drywall. Use the four included drywall anchors and the four included 8-15A x 3/4 in. flat head Phillips screws (one screw for each keyhole slot in the four mounting flanges of the device).

**NOTE:** For safety reasons, it is recommended that the mounting height of the device be no more than 6-1/2 ft (2 m) from the floor or any platform above which the device is mounted.

### Drywall Mounting (HD-RX-4K-510-C-E Shown)



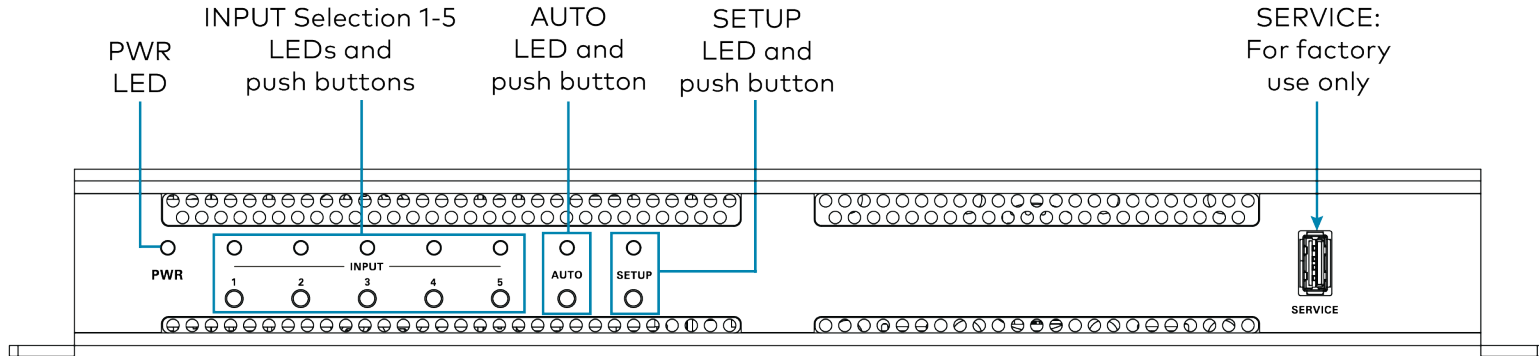
## DMPS Lite™ 4K Multiformat AV Switch and Receiver



### Connect the Device

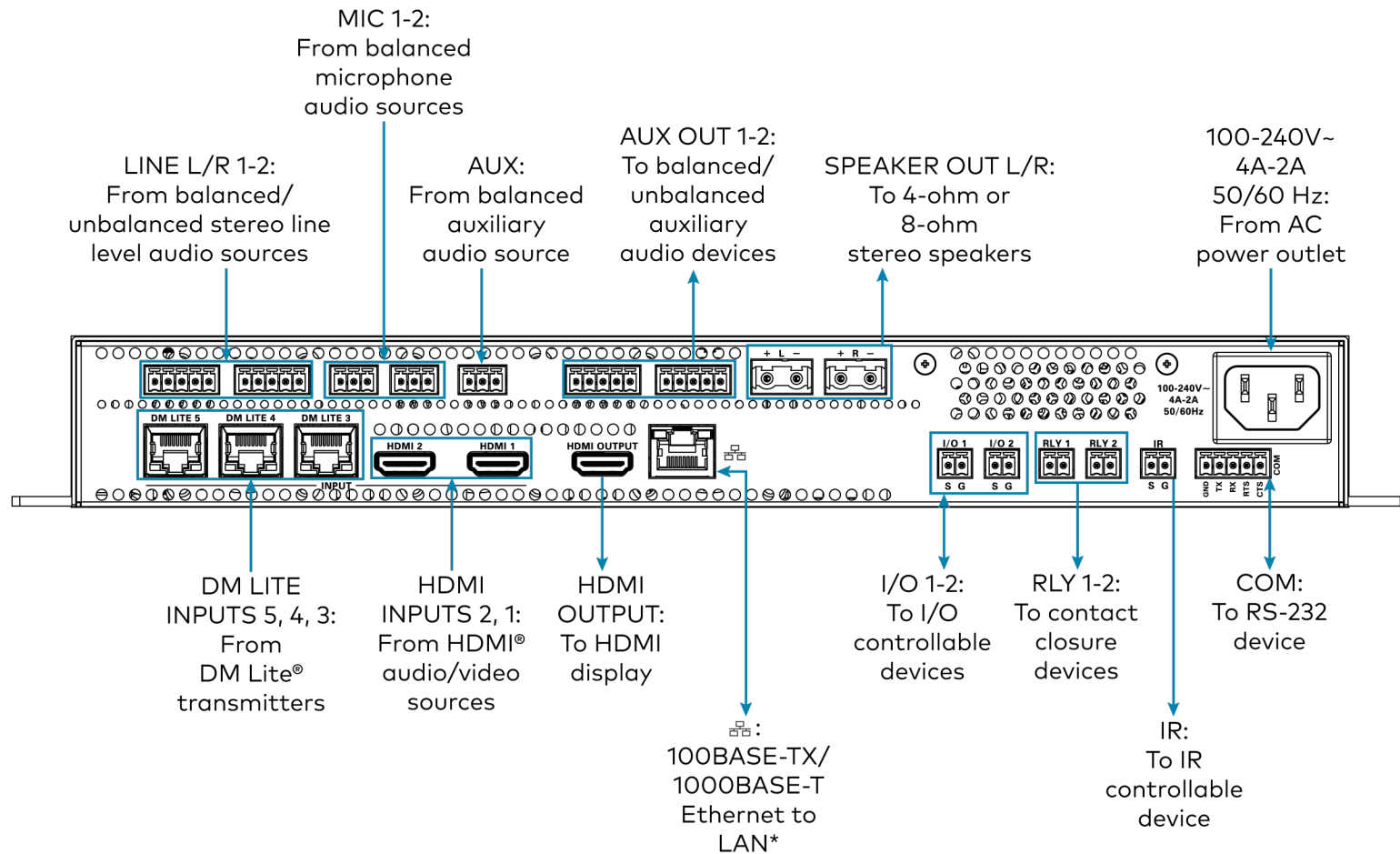
Connect the device as required for the application.

#### Front Panel Connection (HD-RX-4K-510-C-E Shown)



## DMPS Lite™ 4K Multiformat AV Switch and Receiver

### Rear Panel Connections (HD-RX-4K-510-C-E Shown)



\* To comply with the European Directive (CE), it is recommended that high-quality solid-core CAT5e (or higher) shielded twisted pair (STP) cable be used.

## DMPS Lite™ 4K Multiformat AV Switch and Receiver

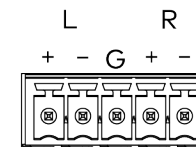
### NOTES:

- Cabling that connects the device to a DM Lite® transmitter is designed for intrabuilding use only.
- The HD-RX-4K-510-C-E can power three DM Lite transmitters simultaneously. The HD-RX-4K-410-C-E can power two DM Lite transmitters simultaneously. Do not connect power to DM Lite transmitters that are to be connected to the HD-RX-4K-510-C-E or HD-RX-4K-410-C-E.
- The device is grounded by connection of the included power cord to an AC power outlet with proper grounding.
- There are no user-serviceable parts inside this device. If repair of the device is needed, contact an authorized Crestron dealer for return of the device to the factory.

### LINE 1-2 Connector Pin Assignments

The LINE 1 and LINE 2 connectors use 5-pin terminal blocks for balanced or unbalanced analog audio inputs.

#### LINE Connector



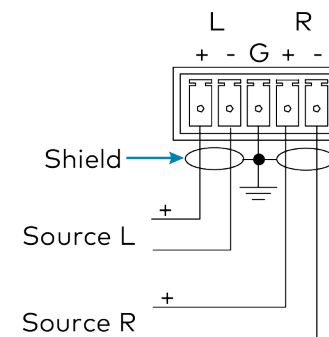
Refer to the following table and diagrams for LINE analog audio input pin assignments and wiring information.

#### LINE Balanced and Unbalanced Audio Input Pin Assignments

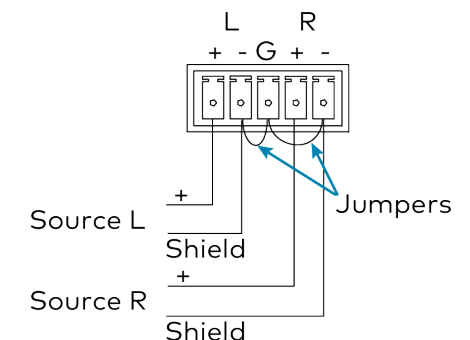
Signal Name	Balanced Audio Input	Unbalanced Audio Input
+	L+	L+ In
-	L-	L- Signal return, jumper to GND
G	Shield/ground	Ground
+	R+	R+ In
-	R-	R- Signal return, jumper to GND

#### LINE Balanced and Unbalanced Audio Input Wiring

##### Balanced Input



##### Unbalanced Input



## DMPS Lite™ 4K Multiformat AV Switch and Receiver

### AUX OUT 1-2 Connector Pin Assignments

The AUX OUT 1 and AUX OUT 2 connectors use 5-pin terminal blocks for balanced or unbalanced analog audio outputs.

#### AUX OUT 1-2 Connector



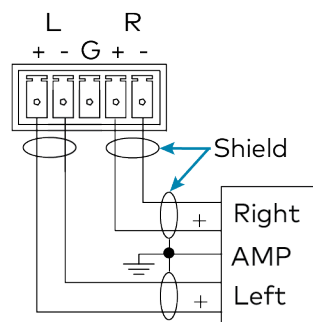
Refer to the following table and diagrams for AUX OUT analog audio output pin assignments and wiring information.

#### AUX OUT Balanced and Unbalanced Audio Output Pin Assignments

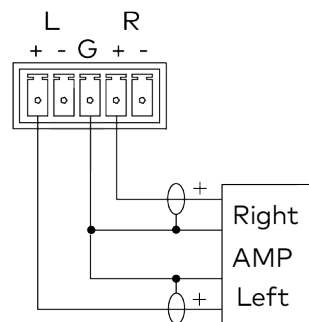
Signal Name	Balanced Audio Output	Unbalanced Audio Output
+	L+	L+ Out
-	L-	Open
G	Shield/ground	Common ground
+	R+	R+ Out
-	R-	Open

#### AUX OUT Balanced and Unbalanced Audio Output Wiring

##### Balanced Output



##### Unbalanced Output



### LED Indicators

Refer to the following table for information about the LED indicators on the device.

#### LED Indicators

LED Indicator	Color	Meaning
PWR	Amber	Power is being applied to the device. The device is booting.
	Green	Power is being applied to the device. The device is operational.
INPUT 1-5 or 1-4 (model dependent)	Green	The corresponding input is routed to the HDMI® output.
	Amber	The corresponding input is detected but is not routed to the HDMI output.
AUTO	Green	Automatic routing is enabled.
SETUP	Red	The SETUP button is pressed.
DM LITE	Green	A DM Lite™ link is established.
	Flashing amber	Non-HDCP video is detected.
	Steady amber	HDCP video is detected.
LAN	Green	An Ethernet link is established.
	Flashing amber	Data activity is occurring on the Ethernet link.

## DMPS Lite™ 4K Multiformat AV Switch and Receiver



### Configure the Device

Using the web interface, configure the HD-RX-4K-510-C-E or HD-RX-4K-410-C-E. The device also hosts the configuration of the connected DM Lite transmitters.

To access the web interface, open a web browser and then go to the IP address of the HD-RX-4K-510-C-E or HD-RX-4K-410-C-E. By default, DHCP is enabled. To display the IP address on the connected HDMI display, press the SETUP button on the front panel of the device. If a transmitter has a SETUP button, pressing the button on the transmitter will also display the IP address of the HD-RX-4K-510-C-E or HD-RX-4K-410-C-E.

To log in to the web interface, enter the user name and password. The default user name and password are both *admin*.



### Upgrade the Firmware

Before using the device, upgrade the firmware. The latest firmware can be downloaded from the HD-RX-4K-510-C-E and HD-RX-4K-410-C-E product pages on the Crestron website ([www.crestron.com](http://www.crestron.com)).



### Connect to the Cloud

The [XiO Cloud® service](#) allows supported devices across an enterprise to be managed and configured from one central and secure location in the cloud. Supported Crestron® devices are configured to connect to the service out of the box.

Use of the service requires a registered XiO Cloud account. To register for an XiO Cloud account, refer to [www.crestron.com/Support/Tools/Licensing-Registration/XiO-Cloud-Registration-Room-Licenses](http://www.crestron.com/Support/Tools/Licensing-Registration/XiO-Cloud-Registration-Room-Licenses).

To connect the device to the XiO Cloud service:

1. Record the MAC address and serial number that are labeled on the shipping box or the device. The MAC address and serial number are required to add the device to the XiO Cloud service.

**NOTE:** If the device has multiple MAC addresses, use the MAC address that is providing the primary connection back to the network. For most devices, the Ethernet MAC address should be used. However, if your device is connecting to the network over a different protocol (such as Wi-Fi® communications), use the MAC address for that protocol instead.

2. Log in to your XiO Cloud account at [portal.crestron.io](http://portal.crestron.io).
3. Claim the device to the XiO Cloud service as described in the [XiO Cloud User Guide](#).

Select the device from the cloud interface to view its status and settings. The device may now also be managed and assigned to a group or room. For more information, refer to the [XiO Cloud User Guide](#).

**NOTE:** For XiO Cloud accounts with room-based licenses, the device must be added to a licensed room before its status and settings can be viewed.

## DMPS Lite™ 4K Multiformat AV Switch and Receiver

### Additional Information

#### Original Instructions

The U.S. English version of this document is the original instructions.  
All other languages are a translation of the original instructions.

**Regulatory Model:** M1845002

Crestron product development software is licensed to Crestron dealers and Crestron Service Providers (CSPs) under a limited nonexclusive, nontransferable Software Development Tools License Agreement. Crestron product operating system software is licensed to Crestron dealers, CSPs, and end-users under a separate End-User License Agreement. Both of these Agreements can be found on the Crestron website at [www.crestron.com/legal/software\\_license\\_agreement](http://www.crestron.com/legal/software_license_agreement).

The product warranty can be found at [www.crestron.com/warranty](http://www.crestron.com/warranty).

The specific patents that cover Crestron products are listed at [www.crestron.com/legal/patents](http://www.crestron.com/legal/patents).

Certain Crestron products contain open source software. For specific information, visit [www.crestron.com/opensource](http://www.crestron.com/opensource).

Crestron, the Crestron logo, DM Lite, DMPS Lite, and XiO Cloud are either trademarks or registered trademarks of Crestron Electronics, Inc. in the United States and/or other countries. HDMI and the HDMI logo are either trademarks or registered trademarks of HDMI Licensing LLC in the United States and/or other countries. Wi-Fi is either a trademark or registered trademark of Wi-Fi Alliance in the United States and/or other countries. Other trademarks, registered trademarks, and trade names may be used in this document to refer to either the entities claiming the marks and names or their products. Crestron disclaims any proprietary interest in the marks and names of others. Crestron is not responsible for errors in typography or photography.

## HDMI

©2022 Crestron Electronics, Inc.

Doc. 8496C  
12/05/22