

Crestron **RMK-3U, -4U, -5U**  
Rack Mount Shelf  

---

Installation Guide



This document was prepared and written by the Technical Documentation department at:



Crestron Electronics, Inc.

15 Volvo Drive

Rockleigh, NJ 07647

1-888-CRESTRON

# Contents

<b>Rack Mount Shelf: RMK-3U, -4U, and -5U</b>	<b>1</b>
Introduction .....	1
Features and Functions .....	1
Specifications .....	2
Physical Description .....	2
Assembly and Installation .....	4
Assembly .....	4
Installation .....	4
Problem Solving .....	6
Further Inquiries .....	6
Future Updates .....	6
Return and Warranty Policies .....	7
Merchandise Returns / Repair Service .....	7
CRESTRON Limited Warranty .....	7



# Rack Mount Shelf: RMK-3U, -4U, and -5U

## Introduction

### Features and Functions

- 19" black, steel, rack-mountable shelves
- Available in 3U, 4U, and 5U sizes
- Simple assembly required prior to installation and use
- Designed to accommodate various devices used in a Crestron® system

### Supplied Components

DESCRIPTION	PART NUMBER	QTY
Left rack bracket (3U)	2014915	1
Right rack bracket (3U)	2014916	1
Left rack bracket (4U)	2014913	1
Right rack bracket (4U)	2014914	1
Left rack bracket (5U)	2014911	1
Right rack bracket (5U)	2014912	1
Stop bracket	2014917	2
Screw, 08-32x½, zinc plated steel, Phillips, pan head	2007272	8
Screw, 06-32x3/8, black oxidized steel, button head	2007232	6
Screw, 06-32x3/8, zinc plated steel, Phillips, pan head	2007229	4
Platform	4501024	1
Faceplate – 3U	2015203	1
Faceplate – 4U or 5U	2014910	1
Installation Guide (this guide)	2014922	1

## Specifications

Specifications for the RMK-3U, -4U, and -5U are listed in the following table.

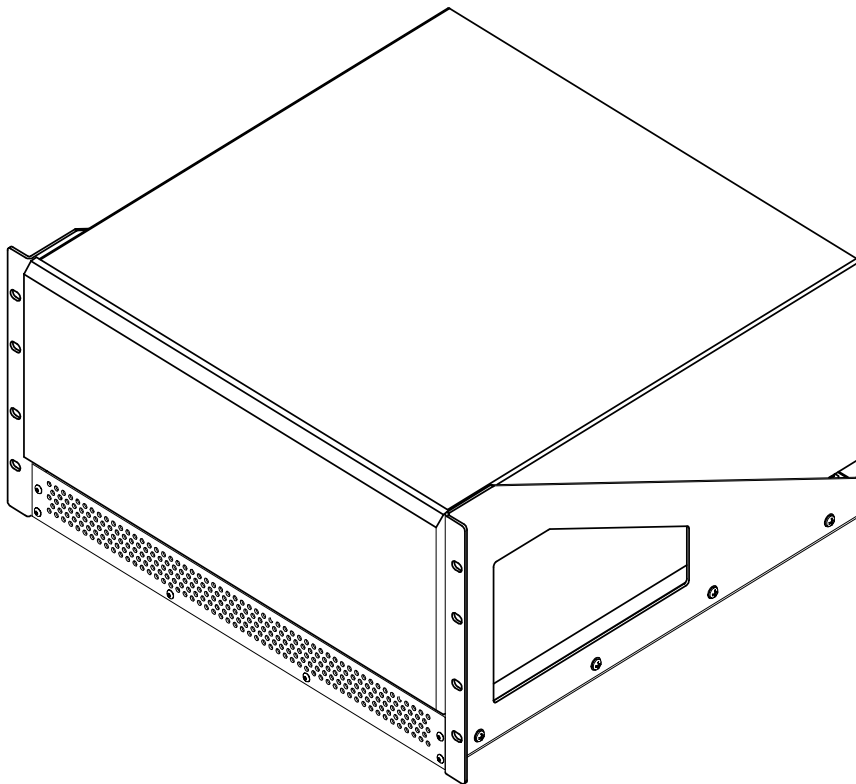
### *RMK-3U, -4U, and -5U Specifications*

SPECIFICATION	DETAILS
Construction	Black, 19" rack mountable
Dimensions (fully assembled)	
Height	3U – 5.22 in (13.26 cm) 4U – 6.97 in (17.70 cm) 5U – 8.72 in (22.15 cm)
Width	19.00 in (48.26 cm)
Depth	17.25 in (43.82 cm)
Weight	3U – 8.6 lbs (3.9 kg) 4U – 10.2 lbs (4.6 kg) 5U – 10.6 lbs (4.8 kg)
Maximum load	3U, 4U – 47.5 lbs (21.38 kg) 5U – 100 lbs (45 kg)

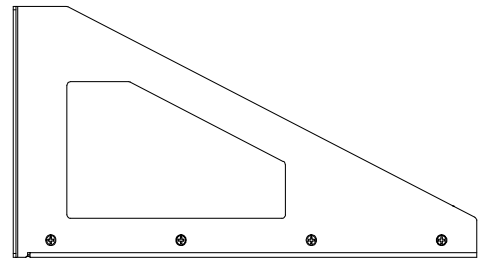
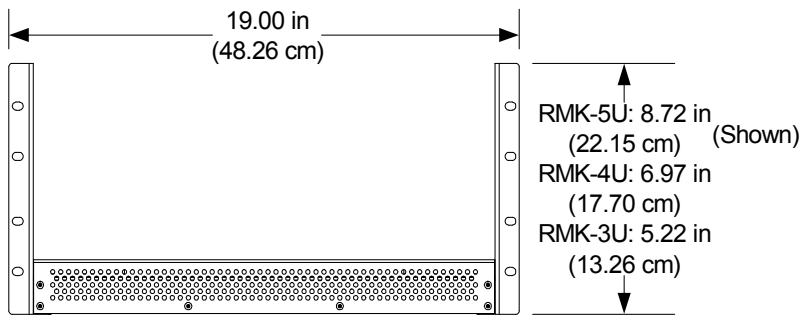
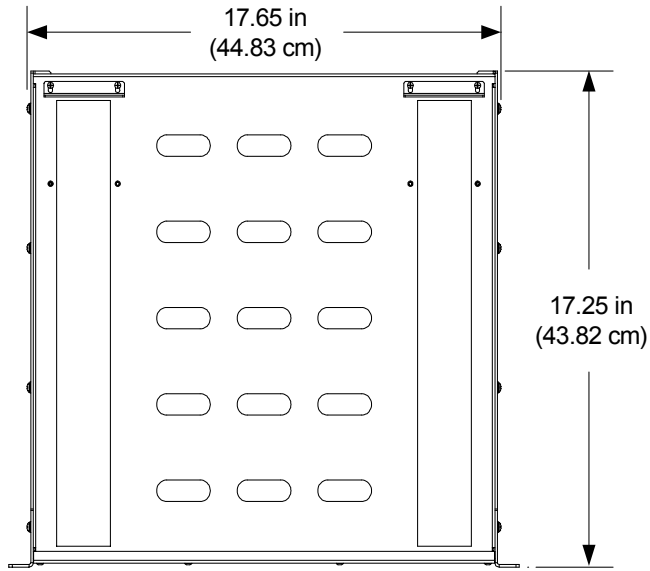
## Physical Description

An assembled view of the RMK-5U, with generic chassis mounted, is shown in the following illustration.

### *RMK-5U Physical View*



*RMK-3U, -4U, -5U Overall Dimensions*



## Assembly and Installation

### Assembly

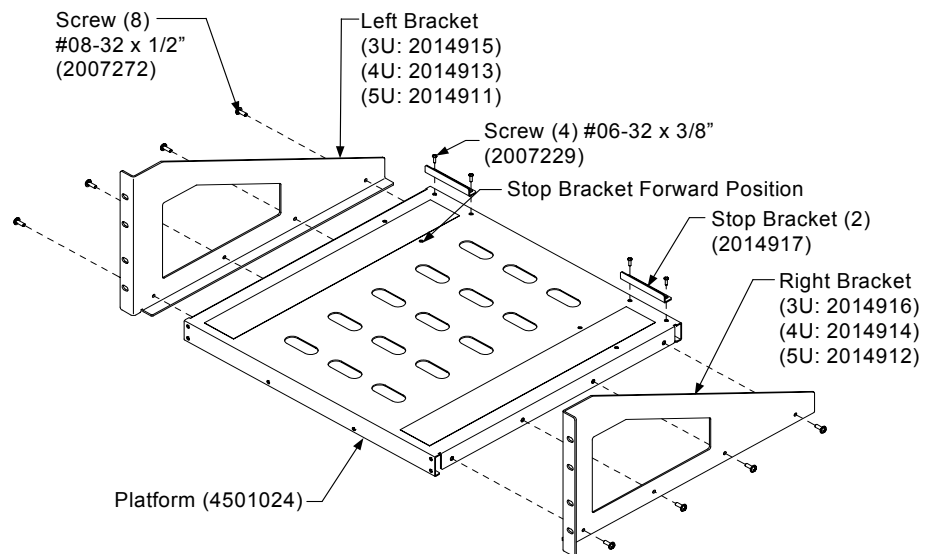
The Rack Mount Shelf requires assembly prior to installation and use.

#### Required Tools

- #1 Phillips screwdriver

Refer to the following illustration and perform the steps below to assemble the unit.

#### Rack Mount Shelf Assembly



1. Use a #1 Phillips screwdriver and four 6-32x3/8-inch screws supplied to attach the two stop brackets on the platform, in the appropriate location for the chassis that is to be installed (either in the rear position as shown, or in the forward position indicated).
2. Use the #1 Phillips screwdriver and the eight 8-32x1/2-inch screws supplied to attach the left and right brackets to the platform.

### Installation

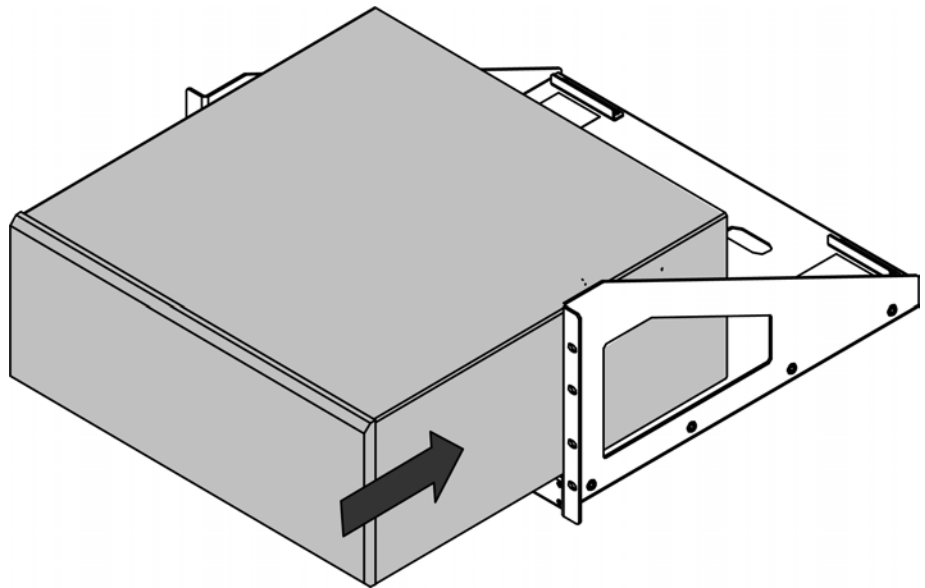
#### Required Tools

- 5/64" Allen wrench

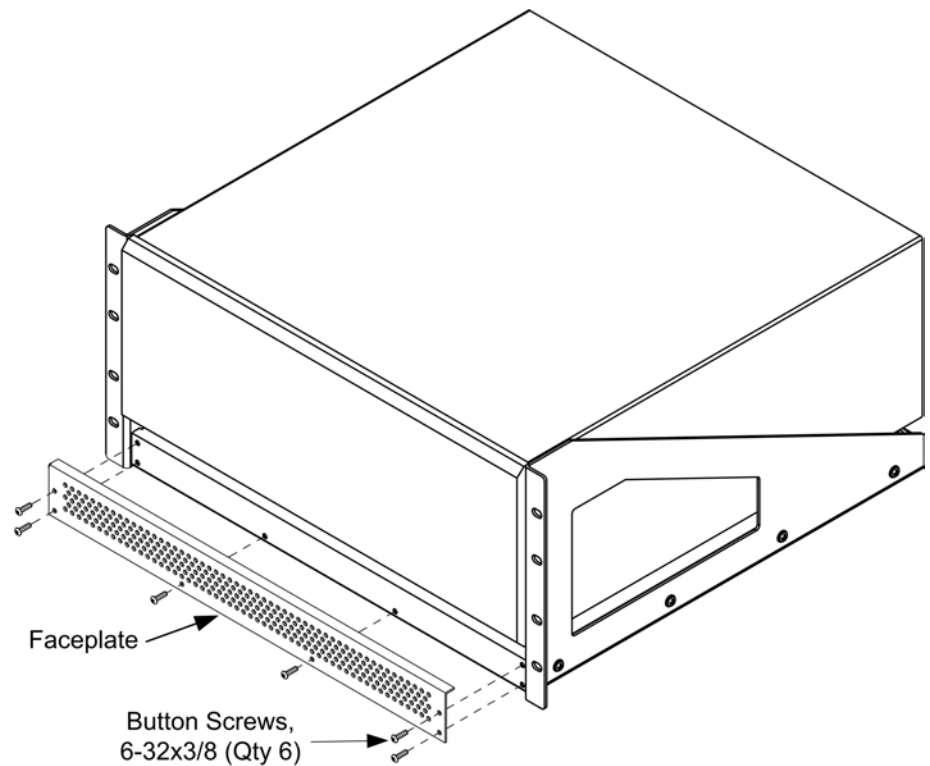
Install the assembled Rack Mount Shelf into a rack prior to placing and securing a device on the platform. Perform the following steps and refer to the associated illustration as necessary.

1. Use appropriate rack mounting hardware and tools (not supplied) to install the Rack Mount Shelf into the rack. Observe standard safety precautions.
2. Place the chassis of the unit being rack mounted in position on the platform and slide it back against the stop brackets.



*Installation of Chassis into Rack Mount Shelf*

3. To secure the chassis in position, attach the faceplate using the 5/64" Allen wrench to install and tighten the six supplied 6-32x3/8-inch button head screws as shown below.

*Attach Faceplate to Secure Chassis in Rack*

---

## Problem Solving

### Further Inquiries

If you cannot locate specific information or have questions after reviewing this guide, please take advantage of Crestron's award winning customer service team by calling Crestron at 1-888-CRESTRON [1-888-273-7876].

You can also log onto the online help section of the Crestron website ([www.crestron.com/onlinehelp](http://www.crestron.com/onlinehelp)) to ask questions about Crestron products. First-time users will need to establish a user account to fully benefit from all available features.

### Future Updates

As Crestron improves functions, adds new features and extends the capabilities of the Rack Mount Shelf, additional information may be made available as manual updates. These updates are solely electronic and serve as intermediary supplements prior to the release of a complete technical documentation revision.

Check the Crestron website periodically for manual update availability and its relevance. Updates are identified as an “Addendum” in the Download column.

---

## Return and Warranty Policies

### Merchandise Returns / Repair Service

1. No merchandise may be returned for credit, exchange or service without prior authorization from CRESTRON. To obtain warranty service for CRESTRON products, contact an authorized CRESTRON dealer. Only authorized CRESTRON dealers may contact the factory and request an RMA (Return Merchandise Authorization) number. Enclose a note specifying the nature of the problem, name and phone number of contact person, RMA number and return address.
2. Products may be returned for credit, exchange or service with a CRESTRON Return Merchandise Authorization (RMA) number. Authorized returns must be shipped freight prepaid to CRESTRON, 6 Volvo Drive, Rockleigh, N.J. or its authorized subsidiaries, with RMA number clearly marked on the outside of all cartons. Shipments arriving freight collect or without an RMA number shall be subject to refusal. CRESTRON reserves the right in its sole and absolute discretion to charge a 15% restocking fee plus shipping costs on any products returned with an RMA.
3. Return freight charges following repair of items under warranty shall be paid by CRESTRON, shipping by standard ground carrier. In the event repairs are found to be non-warranty, return freight costs shall be paid by the purchaser.

### CRESTRON Limited Warranty

CRESTRON ELECTRONICS, Inc. warrants its products to be free from manufacturing defects in materials and workmanship under normal use for a period of three (3) years from the date of purchase from CRESTRON, with the following exceptions: disk drives and any other moving or rotating mechanical parts, pan/tilt heads and power supplies are covered for a period of one (1) year; touchscreen display and overlay components are covered for 90 days; batteries and incandescent lamps are not covered.

This warranty extends to products purchased directly from CRESTRON or an authorized CRESTRON dealer. Purchasers should inquire of the dealer regarding the nature and extent of the dealer's warranty, if any.

CRESTRON shall not be liable to honor the terms of this warranty if the product has been used in any application other than that for which it was intended or if it has been subjected to misuse, accidental damage, modification or improper installation procedures. Furthermore, this warranty does not cover any product that has had the serial number altered, defaced or removed.

This warranty shall be the sole and exclusive remedy to the original purchaser. In no event shall CRESTRON be liable for incidental or consequential damages of any kind (property or economic damages inclusive) arising from the sale or use of this equipment. CRESTRON is not liable for any claim made by a third party or made by the purchaser for a third party.

CRESTRON shall, at its option, repair or replace any product found defective, without charge for parts or labor. Repaired or replaced equipment and parts supplied under this warranty shall be covered only by the unexpired portion of the warranty.

Except as expressly set forth in this warranty, CRESTRON makes no other warranties, expressed or implied, nor authorizes any other party to offer any warranty, including any implied warranties of merchantability or fitness for a particular purpose. Any implied warranties that may be imposed by law are limited to the terms of this limited warranty. This warranty statement supersedes all previous warranties.

#### Trademark Information

*All brand names, product names and trademarks are the sole property of their respective owners. Windows is a registered trademark of Microsoft Corporation. Windows95/98/Me/XP/Vista and WindowsNT/2000 are trademarks of Microsoft Corporation.*



**Crestron Electronics, Inc.**  
15 Volvo Drive Rockleigh, NJ 07647  
Tel: 888.CRESTRON  
Fax: 201.767.7576  
[www.crestron.com](http://www.crestron.com)

---

**Installation Guide – DOC. 6475A**  
**(2014922)**  
**05.08**  
Specifications subject to  
change without notice.