

# VECTOR SUBS15

## Vector™ 15" Performance Subwoofer

- > A professional performance subwoofer for use with Vector™ Performance Loudspeakers
- > High-power, long-excursion 15" (381 mm) low-frequency transducer
- > Compact vented enclosure tuned for maximum low-frequency output
- > Delivers superior performance in combination with an Avia™ DSP
- > Precisely tuned for articulate, impactful deep bass response
- > Ruggedly constructed for maximum reliability
- > Concealed M10 mounting points
- > Forged shoulder eyebolts available separately
- > Neutrik® speakON® input and pass-through connections

The Vector™ SUBS15 is a direct-radiating, vented subwoofer featuring a single high-power, long-excursion 15" (381 mm) transducer. It is designed to provide extended low frequency support for use with CS and CD series Vector Performance Loudspeakers, and is capable of producing articulate and impactful deep bass response for all types of installed music and multimedia applications.

The Vector SUBS15 requires use with a Crestron Avia™ DSP to ensure rated performance and reliable operation. Its enclosure is optimally tuned to provide maximum low frequency output in a compact package, facilitating placement in tight spaces. Concealed M10 mounting points are included to allow for suspended installation using forged shoulder eyebolts (sold separately).

## SPECIFICATIONS

### Performance

**Transducer:** 15 inch (381 mm) woofer with 4 inch (102 mm) voice coil and ceramic magnet

**Beamwidth:** Spherical

**Impedance:** 8 Ohms nominal

**Frequency Range:** 30 to 135 Hz (+3/-10 dB)

**Power Handling:** 700 Watts based on the AES power handling of the transducer

**Nominal Sensitivity:** 101 dB half space, 95 dB whole space, at 1W/1m using band limited pink noise without processing

**Nominal Maximum SPL:** Half space: 136 dB peak, 130 dB continuous;  
Whole space: 130 dB peak, 124 dB continuous;  
Measured at 700W/1m without processing

**Equalized Sensitivity:** 98 dB half space, 92 dB whole space, at 1W/1m using an EIA-426-B signal with processing

**Equalized Maximum SPL:** Half space: 132 dB peak, 126 dB continuous;  
Whole space: 126 dB peak, 120 dB continuous;  
Measured at 700W/1m with processing



### Processing & Amplification

**Digital Signal Processing:** Requires processing using one output channel of a [Crestron Avia DSP](#), settings provided via model-specific "Speaker Profiles" in the Avia Audio Tool software ([SW-AAT](#))

**Amplification:** Requires a single channel of amplification

**Recommended Amplifier Power:** 700 to 1050 Watts at 8 Ohms

### Connections

**Input:** (2) Neutrik NL4 speakON 4-pole chassis connectors;

Pins 1 +/-: Speaker input and pass-through;

Pins 2 +/-: Pass-through only

### Environmental

For indoor use only

### Construction

**Enclosure:** Void-free, exterior grade Baltic Birch plywood; black painted finish

**Grille:** Steel, black powder coat finish

**Suspension:** (16) M10 eyebolt angle points (eyebolts sold separately)

### Dimensions

**Height:** 24.62 in (625 mm)

**Width:** 19.68 in (500 mm)

**Depth:** 19.00 in (482 mm)

# VECTOR SUBS15 Vector™ 15" Performance Subwoofer

## Weight

68.0 lb (30.8 kg)

## MODELS & ACCESSORIES

### Available Models

VECTOR SUBS15: Vector™ 15" Performance Subwoofer

### Available Accessories

VECTOR EB10: M10 Forged Shoulder Eyebolt

VECTOR CONN2: Neutrik® NL2 speakON® 2-Pole Cable Connector

VECTOR CONN4: Neutrik® NL4 speakON® 4-Pole Cable Connector

DSP Series: Avia™ Digital Signal Processors

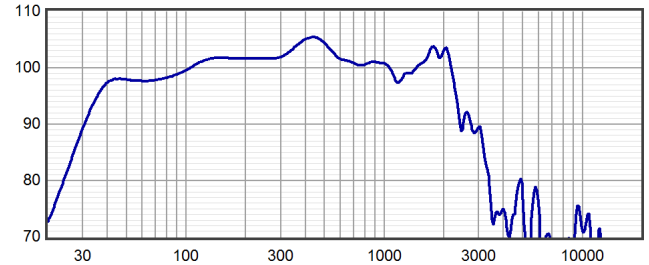
### Notes:

This product may be purchased from an authorized Crestron dealer. To find a dealer, please contact the Crestron sales representative for your area. A list of sales representatives is available online at [www.crestron.com/salesreps](http://www.crestron.com/salesreps) or by calling 800-237-2041.

The specific patents that cover Crestron products are listed online at: [patents.crestron.com](http://patents.crestron.com).

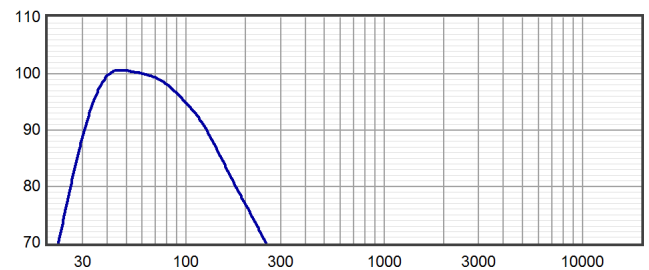
Certain Crestron products contain open source software. For specific information, please visit [www.crestron.com/opensource](http://www.crestron.com/opensource).

Crestron, the Crestron logo, Avia, and Vector are either trademarks or registered trademarks of Crestron Electronics, Inc. in the United States and/or other countries. Neutrik and speakON are either trademarks or registered trademarks of Neutrik AG in the United States and/or other countries. Other trademarks, registered trademarks, and trade names may be used in this document to refer to either the entities claiming the marks and names or their products. Crestron disclaims any proprietary interest in the marks and names of others. Crestron is not responsible for errors in typography or photography. Specifications are subject to change without notice. ©2017 Crestron Electronics, Inc.



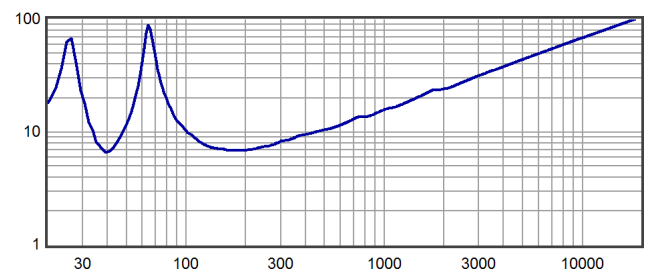
**Axial Sensitivity (dB SPL, 1W/1m)**

Plotted against frequency for a 1 watt swept sine wave, referenced to 1 m without processing



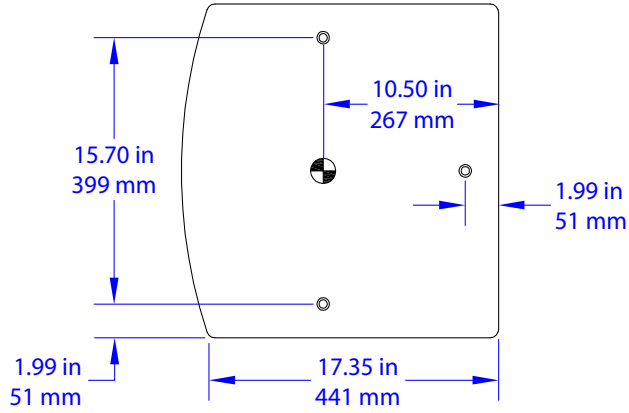
**Axial Processed Response (dB)**

The axial magnitude response with processing



**Impedance (Ohms)**

# VECTOR SUBS15 Vector™ 15" Performance Subwoofer



Symbol Key:

- = M10 Eyebolt angle point
- ⊗ = CoG

