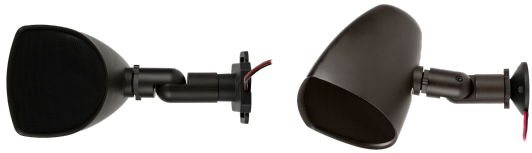


SPKA-SMK/TREEMK

Surface/Tree Mount Brackets for Reference and Ultimate Speakers



Tree Mount Bracket for Reference Speakers (speaker (not included) shown attached)

Surface Mount Bracket for Reference Speakers (speaker (not included) shown attached)

- Solid construction for durability and longevity
- Offers instant versatility for your application

The [SPKA-SMK/TREEMK-REFERENCE-OD4](#) and [SPKA-SMK/TREEMK-ULTIMATE-OD6](#) are comprised of both a tree and surface mount bracket.

The surface mount bracket allows Crestron® Reference and Ultimate speakers made by Origin Acoustics [REFERENCE OD4-BRZ-T-EACH](#) and [ULTIMATE OD6T-PRIMED-EACH](#) to be mounted to outdoor hard surfaces, such as a trellis, under an eave, on a wall, on a deck or to a post – so it offers instant versatility for your application. The bracket is made of heavy-duty cast brass for durability and longevity.

The tree mount bracket makes it easy to mount Crestron Reference and Ultimate speakers directly to a tree. Simply use the included mounting bolts to secure the bracket, and then screw in the speaker for a stable install.

The knuckle adapter bracket provided with the [SPKA-SMK/TREEMK-REFERENCE-OD4](#) pivots to allow setting the [REFERENCE OD4-BRZ-T-EACH](#) outdoor speaker to the desired angle.

Specifications

Dimensions

SPKA-SMK/TREEMK-ULTIMATE-OD6

Surface Mount Bracket

Diameter	2.83 in. (72 mm)
Depth	0.89 in. (23 mm)

Tree Mount Bracket

Width	3.75 in. (95 mm)
Height	4.88 in. (124 mm)
Depth	1.52 in. (39 mm)

SPKA-SMK/TREEMK-REFERENCE-OD4

Surface Mount Bracket

Diameter	2.83 in. (72 mm)
Depth	0.89 in. (23 mm)

Tree Mount Bracket

Width	3.75 in. (95 mm)
Height	4.88 in. (124 mm)
Depth	1.52 in. (39 mm)

Adapter

Width	1.57 in. (40 mm)
Height	2.40 in. (61 mm)

Models

SPKA-SMK/TREEMK-REFERENCE-OD4

Surface/Tree Mount Brackets with Knuckle Adapter for 4 in. Reference Outdoor Speaker, Single

SPKA-SMK/TREEMK-ULTIMATE-OD6

Surface/Tree Mount Brackets for 6 in. Ultimate Outdoor Speaker, Single

This product may be purchased from select authorized Crestron dealers and distributors. To find a dealer or distributor, please contact the Crestron sales representative for your area. A list of sales representatives is available online at www.crestron.com/How-To-Buy/Find-a-Representative or by calling 855-263-8754.

This product is covered under the Crestron standard limited warranty. Refer to www.crestron.com/warranty for full details.

The specific patents that cover Crestron products are listed online at patents.crestron.com.

Certain Crestron products contain open source software. For specific information, please visit www.crestron.com/opensource.

Crestron and the Crestron logo are either trademarks or registered trademarks of Crestron Electronics, Inc. in the United States and/or other countries. Origin Acoustics is either a trademark or a registered trademark of Origin Acoustics, Inc. in the United States and/or other countries. Other trademarks, registered trademarks, and trade names may be used in this document to refer to either the entities claiming the marks and names or their products. Crestron disclaims any proprietary interest in the marks and names of others. Crestron is not responsible for errors in typography or photography. Specifications are subject to change without notice.

Specifications are subject to change without notice.

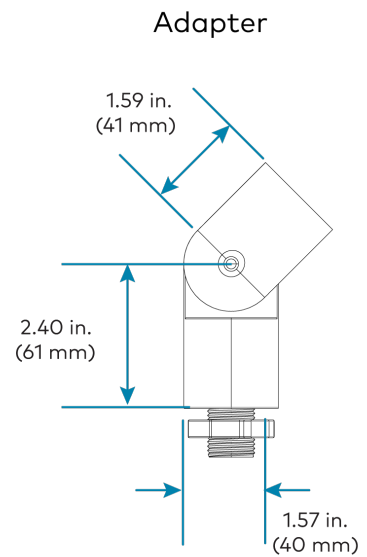
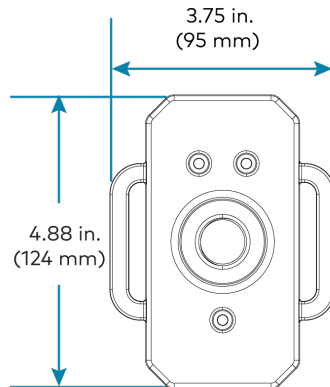
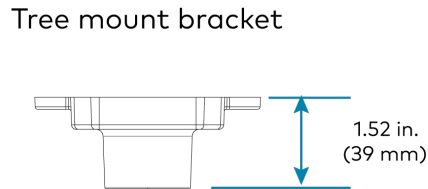
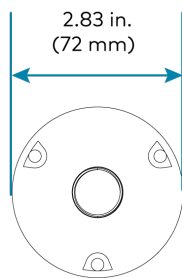
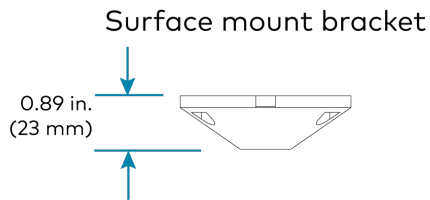
©2021 Crestron Electronics, Inc.

Rev 04/23/21

SPKA-SMK/TREEMK

Surface/Tree Mount Brackets for Reference and Ultimate Speakers

SPKA-SMK/TREEMK-REFERENCE-OD4



SPKA-SMK/TREEMK

Surface/Tree Mount Brackets for Reference and Ultimate Speakers

SPKA-SMK/TREEMK-ULTIMATE-OD6

