

Description

The Crestron® TSW-760/1060-MSMK multisurface mount kit provides a versatile mounting solution for the Crestron TSS-7, TSS-10, TSW-760, and TSW-1060 touch screens. With the TSW-760/1060-MSMK, the touch screen may be mounted directly onto glass, granite, marble, plaster, smooth stone and masonry, or almost any other flat surface using the included adhesive pad. The TSW-760/1060-MSMK also enables the touch screen to be mounted over an electrical box at a fixed tilt of 20 degrees.

The TSW-760/1060-MSMK adapter bracket provides three knockout holes (on the bottom and sides of the bracket) for running concealed cables to the touch screen using the included adhesive-backed raceway kit.

Additional Resources

Visit the product page on the Crestron website (www.crestron.com) for additional information and the latest firmware updates. Use a QR reader application on your mobile device to scan the QR image.



Electrical Box Mounting

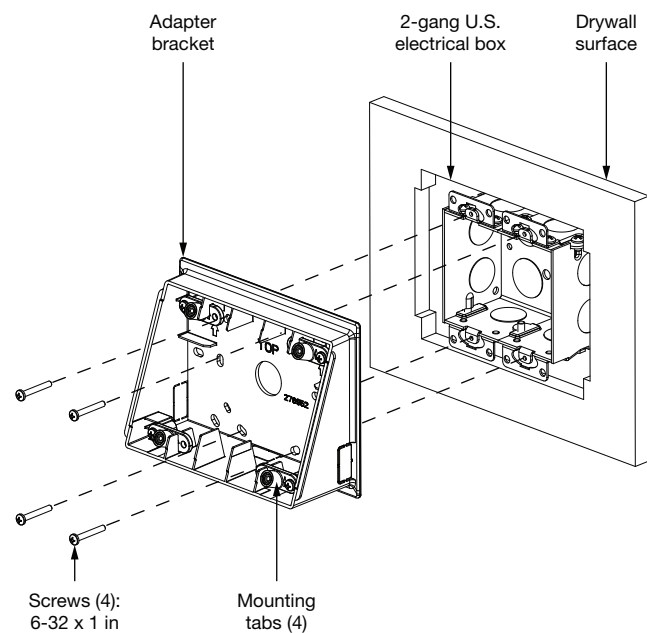
Use the following procedures to mount the touch screen over an electrical box using the adapter bracket. A Phillips screwdriver is required for this installation.

NOTE: For installations requiring a 3-gang U.S. or 2-gang European electrical box, loosen the screws on each of the four adapter bracket mounting tabs (about one half turn), and then rotate the tabs 90° so that the appropriate installation holes are exposed. Once the adapter bracket is mounted over the electrical box, return the mounting tabs to their original positions and tighten the screws. (Refer to the illustration below for mounting tab locations.)

Mount the Adapter Bracket over an Electrical Box

NOTE: For U.S.-style installations, use a #2 Phillips screwdriver. For European and U.K.-style installations, use a #1 Phillips screwdriver or equivalent.

- For U.S.-style installations, use the four included 6-32 x 1 in screws to install the adapter bracket over a 1-gang (horizontally mounted), 2-gang, or 3-gang U.S. electrical box.



- For European-style installations, use the four included M3 x 25 mm screws to install the adapter bracket over a 2-gang European electrical box.
- For U.K.-style installations, use the two included M3.5 x 25 mm screws to install the adapter bracket over a 2-gang U.K. electrical box.

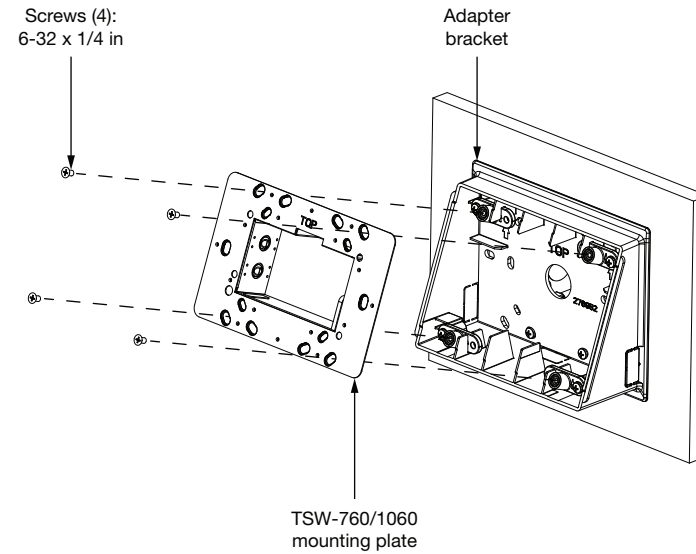
NOTE: Four washers are also provided to secure the adapter bracket to the electrical box if the mounting holes are too large for the included screws.

NOTE: Ensure that the adapter bracket is level after mounting it to the electrical box.

Attach the Touch Screen Mounting Plate to the Adapter Bracket

Once the adapter bracket is installed over the electrical box:

- Route all necessary cables through the rear of the electrical box.
- Use the four included 6-32 x 1/4 in screws to attach the TSW-760/1060 mounting plate (included with the touch screen) to the adapter bracket. Ensure the TSW-760/1060 mounting plate is level after installation.



Complete the Installation

- Route all necessary cables out of the center opening in the mounting plate, and connect them to the rear of the touch screen.
- After all connections have been made, hold the touch screen over the mounting plate, and place it gently in position so that it attaches securely to the plate.

For more information on installing and connecting the touch screen, refer to the TSW-560/TSW-760/TSW-1060 DO Guide (Doc. 7926) or the TSS-7/TSS-10 DO Guide (Doc. 8326) at www.crestron.com/manuals.

Glass Surface Mounting

Use the following procedure to mount the touch screen onto a flat pane of glass or similar smooth surface (such as granite, marble, plaster, or smooth stone and masonry) with the included adhesive pad and adapter bracket. The adhesive on the back of the pad permanently attaches to the glass surface, while the adhesive on the front of the pad attaches to the adapter bracket.

After mounting is complete, the included raceway kit may be installed on a nearby smooth surface to conceal cables running to the touch screen. For more information, refer to the "Raceway Mounting" section on the following page.

The following supplies (not included) are required for this installation: a level, a roll of tape, a Phillips screwdriver, a pair of pliers, and a glass cleaning product that does not leave a film.

Attach the Adhesive Pad to the Glass Surface

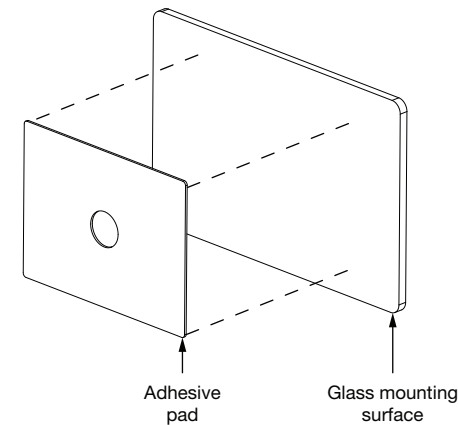
NOTE: Before attaching the adhesive pad, ensure that the glass surface is free of debris and has been cleaned with a glass cleaning product that does not leave a film.

- Clean and dry the glass surface thoroughly.
- Use the level to carefully tape a horizontal reference line on the glass surface that aligns with the lower edge of the adhesive pad.
- Remove the protective covering from the rear of the adhesive pad.

CAUTION: The adhesive on both sides of the pad is high-strength bond. Once the adhesive comes in contact with a surface, it cannot be easily removed.

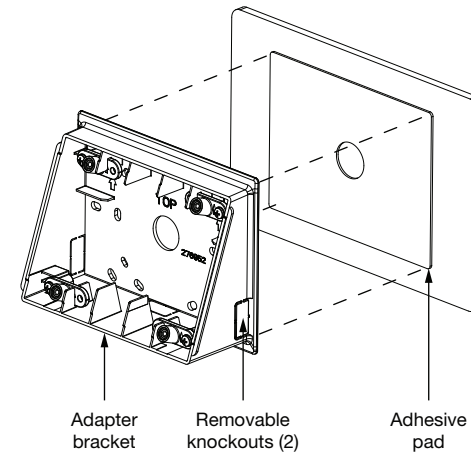
- Hold the adhesive pad at a 45-degree angle to the glass surface, and then align the lower edge of the pad with the taped reference line. Do not allow the adhesive to come in contact with the glass surface.

- Once the adhesive pad is level and aligned with the taped reference line, attach the pad carefully to the glass surface, starting with the bottom near the taped reference line. Press the pad firmly to the surface to ensure proper adhesion and to eliminate any trapped air bubbles.



Attach the Adapter Bracket to the Adhesive Pad

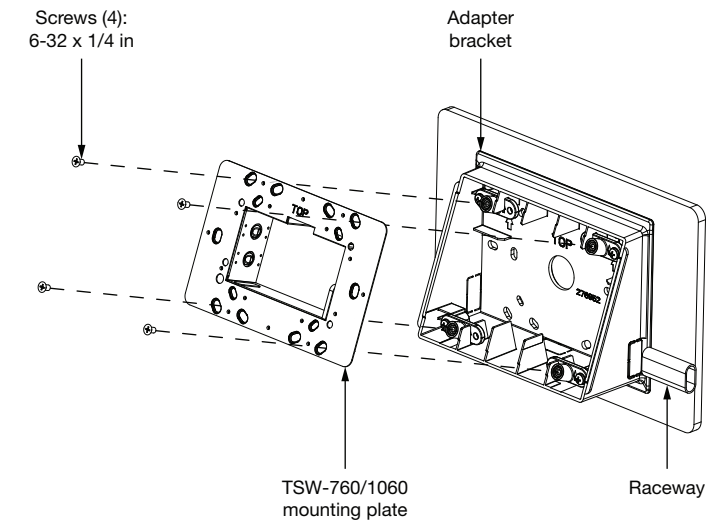
- Use pliers (or a similar tool) to break away the appropriate knockout on the left, right, or bottom of the TSW-760/1060-MSMK adapter bracket.
- Remove the protective covering from the front of the adhesive pad.
- Hold the adapter bracket at a 45-degree angle to the adhesive pad, and then align the lower edge of the bracket with the lower edge of the pad. Do not allow the bracket to come in contact with the adhesive.
- Once the adapter bracket is level and aligned with the adhesive pad, tilt the bracket back carefully until it is secured to the adhesive pad. Firmly press the bracket to the pad to ensure proper adhesion and to eliminate any trapped air bubbles.



Attach the Touch Screen Mounting Plate to the Adapter Bracket

Once the adapter bracket is installed onto the glass surface:

- Route all necessary cables through the appropriate knockout on the adapter bracket.
- Use the four included 6-32 x 1/4 in screws to attach the TSW-760/1060 mounting plate (included with the touch screen) to the adapter bracket. Ensure the TSW-760/1060 mounting plate is level after installation.



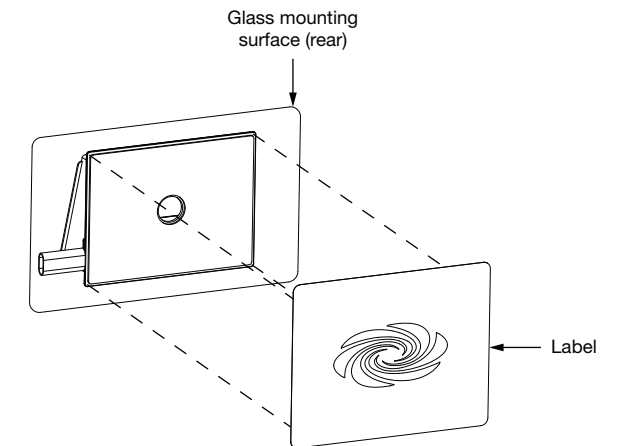
NOTE: The raceway shown in the illustration above conceals cables running to the touch screen. For raceway kit installation instructions, refer to "Raceway Mounting" on the following page.

Complete the Installation

- Route all necessary cables out of the center opening in the mounting plate, and connect them to the rear of the touch screen.
- After all connections have been made, hold the touch screen over the mounting plate, and place it gently in position so that it attaches securely to the plate.

For more information on installing and connecting the touch screen, refer to the TSW-560/TSW-760/TSW-1060 DO Guide (Doc. 7926) or the TSS-7/TSS-10 DO Guide (Doc. 8326).

If the adapter bracket is installed on a glass surface, apply the included peel-and-stick label to the opposite side of the surface. Ensure that the label is level and that it is aligned with the rear of the adapter bracket.



Raceway Mounting

Use the following procedure to mount the included raceway on a smooth surface near the touch screen. The raceway conceals cables running to the knockouts on the left, right, or bottom of the adapter bracket. The raceway kit contains three cable channels, two flat elbows, one inside elbow, one outside elbow, and two couplings.

NOTE: The surface must be cleaned thoroughly before mounting the raceway.

NOTE: Do not install the raceway on textured surfaces.

1. Cut the raceway to the desired length. The raceway can also be cut to a desired shape near the knockout area for a neat appearance.
2. Insert all necessary cables into the opening in the raceway, and then press on the raceway to snap it shut.
3. Remove the protective backing from the rear of the raceway to expose the adhesive strip.
4. Press the raceway firmly against the desired mounting location. Ensure the raceway is level as it is being applied to the surface. Attach any elbows, couplings, and additional cable channels as necessary.

NOTE: The raceway may be painted after installation to match the walls and surrounding décor.