

Crestron **TMK-3000L & WMKT-3000L**
Trim Ring Mount Kits

Installation Guide



CRESTRON

This document was prepared and written by the Technical Documentation department at:



Crestron Electronics, Inc.
15 Volvo Drive
Rockleigh, NJ 07647
1-888-CRESTRON

Trim Ring Mount Kits: TMK-3000L & WMKT-3000L

Description

Trim Ring Mount Kits are the preferred method of mounting the Crestron Isys™ TPS-3000L series of lectern/wall-mounted video touchpanels when a finished appearance within a neatly trimmed cutout is required. This application is perfect for wallpapering.

There are two Trim Ring Mount Kits. The TMK-3000L is a pre-construction accessory. Pre-construction refers to framed walls prior to hanging drywall. This accessory is designed be used with the optional Pre-Construction Mount Kit (PMK-3000L) or Back Box Kit (BB-3000L).

The WMKT-3000L is a post-construction kit. Post-construction refers to framed walls with drywall hung. This accessory is designed with a mounting plate so that it can be placed anywhere on a wall without the support from a stud.

NOTE: If necessary, consult the latest revision of the TPS-3000L Operations Guide (Doc. 6077) for a complete list of mounting options.

Supplied Hardware

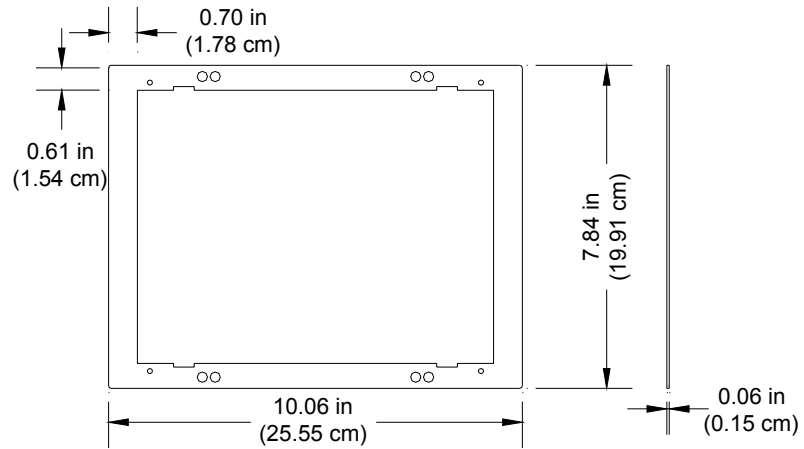
The TMK-3000L consists of a metal trim ring that attaches to the PMK-3000L or BB-3000L. The WMKT-3000L consists of the trim ring found in the TMK-3000L as well as a mounting plate. The mounting plate is the part that provides the necessary support for post-construction applications.

Supplied Hardware of the TMK-3000L and WMKT-3000L

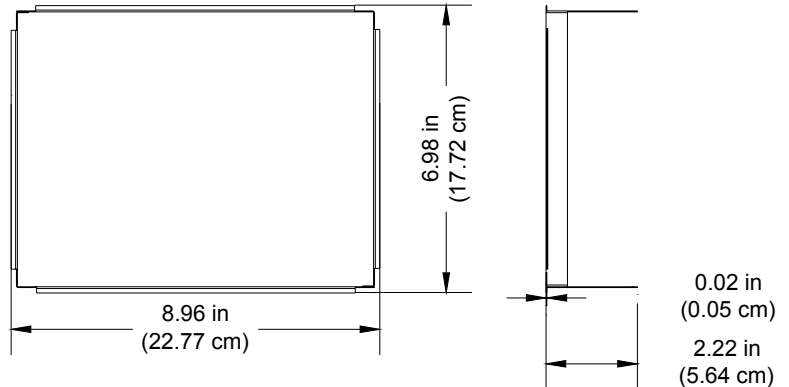
DESCRIPTION	PART NUMBER	QUANTITY
Metal Plate, Mounting (WMKT-3000L only)	MTPL02848-1	1
Metal Trim Ring	MTPL02847-1	1

The dimensions of the TMK-3000L/WMKT-3000L are shown below.

Dimensional Drawing

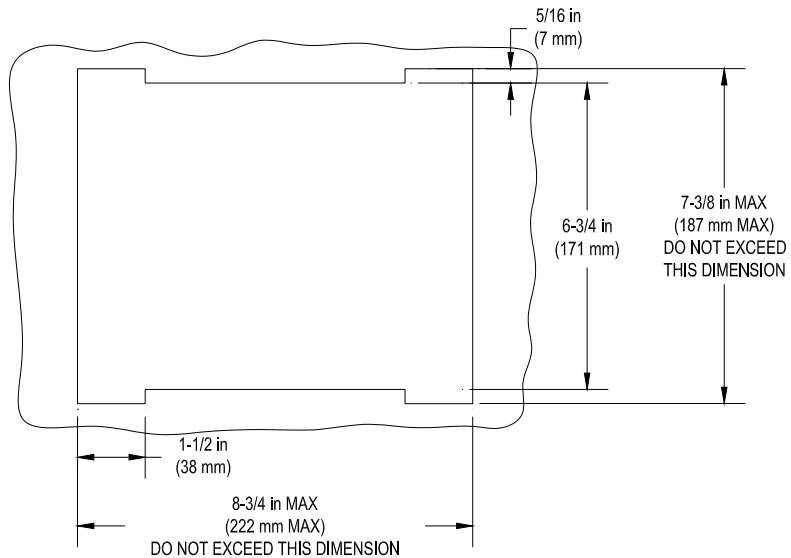


MOUNTING PLATE (WMKT-3000L ONLY)



TRIM RING

Drywall Cutout Dimensions



Installation

This section provides an installation procedure for each Trim Ring Mount Kit. The procedure for the TMK-3000L starts below and the “WMKT-3000L Procedure” starts on page 4.

TMK-3000L Procedure

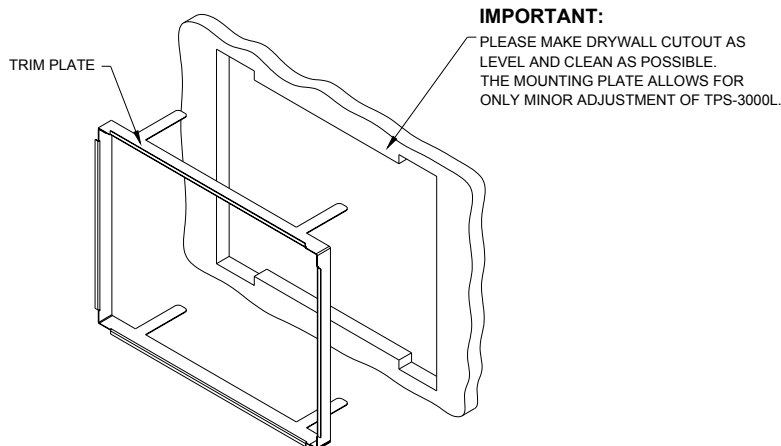
The procedure in this section provides the necessary steps for the assembly of the TMK-3000L to either the PMK-3000L or BB-3000L. It is assumed that the PMK-3000L or BB-3000L has been secured to the stud according to the procedures in the latest revisions of their respective Installation Guides (Doc. 6024 and Doc. 6022, respectively). Also, it is assumed that drywall is in place and a rectangular cutout for the touchpanel is made in the drywall (refer to the Drywall Cutout dimensions on the previous page for cutout dimensions).

Complete the steps in the order provided. The only tool required and not supplied is a level.

NOTE: When installing into the PMK-3000L, verify that the 18 AWG bus wire securing the cables for the touchpanel remains attached.

1. Verify that the rectangular cutout in the drywall is as level as possible.
2. Insert the symmetrical trim plate into the opening, as shown in the illustration after this step.

Insert Trim Plate into Opening



3. When the trim plate is in position, bend the top two flanges of the plate upward and the bottom two flanges downward.
 - If mounting into the PMK-3000L, bend the flanges approximately 90 degrees.
 - If mounting into the BB-3000L, bend the flanges back as far as they can go.

NOTE: If using BNC connectors (supplied by others), the flanges may need to be bent out of the way

4. Run the necessary cables for the touchpanel and secure them behind the drywall.
5. The TPS-3000L can be installed using the four tapped holes in the PMK-3000L or BB-3000L. Refer to the latest revision of the TPS-3000L Operations Guide (Doc. 6077) for details.

WMKT-3000L Procedure

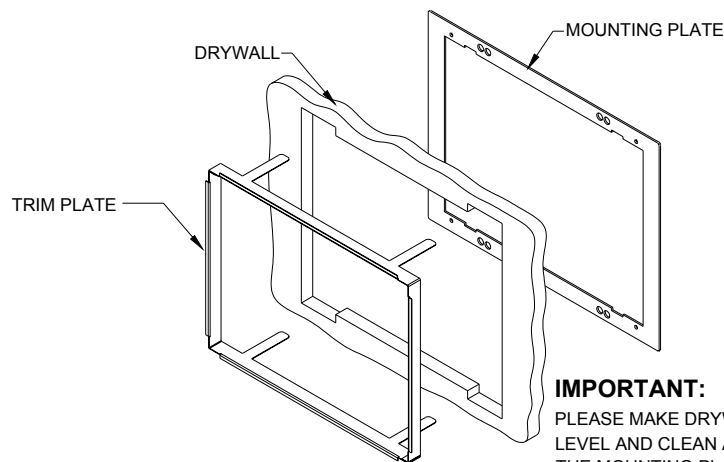
The procedure in this section provides the necessary steps for installation of the WMKT-3000L into a wall. Complete the steps in the order provided. The only tools or materials required and not supplied are a drywall saw or equivalent and a level.

1. Locate an area on the wall that is free of miscellaneous wiring and studs.
2. Make a small hole near the middle of the designated site; verify that the location is suitable.

NOTE: Make the cutout as level and smooth as possible. The mounting plate allows for only minor leveling adjustments. If a larger cutout is accidentally made, consider purchasing the Crestron Mud Mount Kit, MMK-3000L. It and the mounting plate supplied with the WMKT-3000L provide a cost-effective means of correction. Essentially, The combination of these two kits makes up the Crestron Mud Mount Kit for the Wall, WMKM-3000L. Simply follow the “WMKM-3000L Procedure” in the latest revision of the Mud Mount Kits Installation Guide (Doc. 6021).

3. Use the drywall saw or equivalent to produce a level, rectangular cutout in the drywall (refer to the Drywall Cutout dimensions on page 2 for cutout dimensions.).
4. Insert the symmetrical trim plate into the opening, as shown in the illustration after this step.

Insert the Trim Plate into the Opening



IMPORTANT:

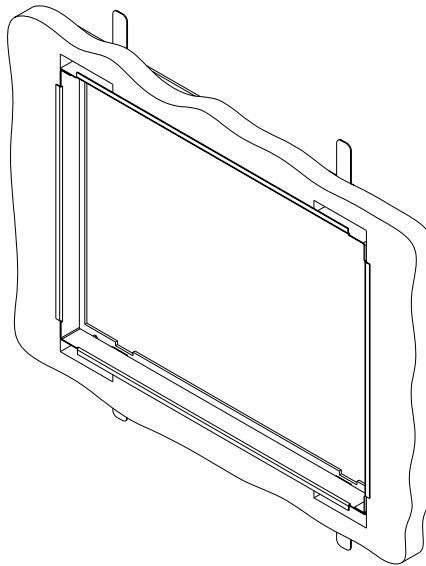
PLEASE MAKE DRYWALL CUTOUT AS LEVEL AND CLEAN AS POSSIBLE. THE MOUNTING PLATE ALLOWS FOR ONLY MINOR ADJUSTMENT OF TPS-3000L.

5. Carefully pass the mounting plate through the opening and rest it against the interior surface of the drywall.

6. When the mounting plate is in position, bend the top two flanges of the trim plate upward (approximately 90 degrees) and the bottom two flanges downward (approximately 90 degrees). Refer to the illustration after this step.

NOTE: The mounting plate will have slight play; this is normal. It allows for minor adjustments to the TPS-3000L during installation.

Bend Flanges



7. Run the necessary cables for the touchpanel and secure them behind the drywall.
8. The TPS-3000L can be installed using the four tapped holes in the mounting plate. Refer to the latest revision of the TPS-3000L Operations Guide (Doc. 6077) for details.

Further Inquiries

If after reviewing this Installation Guide, you cannot locate specific information or have questions, please take advantage of Crestron's award winning customer service team by calling:

- In the US and Canada, call Crestron's corporate headquarters at 1-888-CRESTRON [1-888-273-7876].
- In Europe, call Crestron International at +32-15-50-99-50.
- In Asia, call Crestron Asia at +852-2341-2016.
- In Latin America, call Crestron Latin America at +5255-5093-2160.
- In Australia and New Zealand, call Crestron Pacific at +613-9480-2999.

As of the date of manufacture, the TMK-3000L and WMKT-3000L have been tested and found to comply with specifications for CE marking.



Future Updates

As Crestron improves functions, adds new features, and extends the capabilities of the TMK-3000L or WMKT-3000L, additional information may be made available as manual updates. These updates are solely electronic and serve as intermediary supplements prior to the release of a complete technical documentation revision.

Check the Crestron website (www.crestron.com) periodically for manual update availability and its subjective value. Updates are available from the Download | Product Manuals section and are identified as an "Addendum" in the Download column.

This page intentionally left blank.

This page intentionally left blank.

Return and Warranty Policies

Merchandise Returns / Repair Service

1. No merchandise may be returned for credit, exchange, or service without prior authorization from CRESTRON. To obtain warranty service for CRESTRON products, contact the factory and request an RMA (Return Merchandise Authorization) number. Enclose a note specifying the nature of the problem, name and phone number of contact person, RMA number, and return address.
2. Products may be returned for credit, exchange, or service with a CRESTRON Return Merchandise Authorization (RMA) number. Authorized returns must be shipped freight prepaid to CRESTRON, Cresskill, N.J., or its authorized subsidiaries, with RMA number clearly marked on the outside of all cartons. Shipments arriving freight collect or without an RMA number shall be subject to refusal. CRESTRON reserves the right in its sole and absolute discretion to charge a 15% restocking fee, plus shipping costs, on any products returned with an RMA.
3. Return freight charges following repair of items under warranty shall be paid by CRESTRON, shipping by standard ground carrier. In the event repairs are found to be non-warranty, return freight costs shall be paid by the purchaser.

CRESTRON Limited Warranty

CRESTRON ELECTRONICS, Inc. warrants its products to be free from manufacturing defects in materials and workmanship under normal use for a period of three (3) years from the date of purchase from CRESTRON, with the following exceptions: disk drives and any other moving or rotating mechanical parts, pan/tilt heads and power supplies are covered for a period of one (1) year; touchscreen display and overlay components are covered for 90 days; batteries and incandescent lamps are not covered.

This warranty extends to products purchased directly from CRESTRON or an authorized CRESTRON dealer. Purchasers should inquire of the dealer regarding the nature and extent of the dealer's warranty, if any.

CRESTRON shall not be liable to honor the terms of this warranty if the product has been used in any application other than that for which it was intended, or if it has been subjected to misuse, accidental damage, modification, or improper installation procedures. Furthermore, this warranty does not cover any product that has had the serial number altered, defaced, or removed.

This warranty shall be the sole and exclusive remedy to the original purchaser. In no event shall CRESTRON be liable for incidental or consequential damages of any kind (property or economic damages inclusive) arising from the sale or use of this equipment. CRESTRON is not liable for any claim made by a third party or made by the purchaser for a third party.

CRESTRON shall, at its option, repair or replace any product found defective, without charge for parts or labor. Repaired or replaced equipment and parts supplied under this warranty shall be covered only by the unexpired portion of the warranty.

Except as expressly set forth in this warranty, CRESTRON makes no other warranties, expressed or implied, nor authorizes any other party to offer any other party to offer any warranty, including any implied warranties of merchantability or fitness for a particular purpose. Any implied warranties that may be imposed by law are limited to the terms of this limited warranty. This warranty statement supercedes all previous warranties.

Trademark Information

All brand names, product names, and trademarks are the sole property of their respective owners. Windows is a registered trademark of Microsoft Corporation. Windows95/98/Me/XP and WindowsNT/2000 are trademarks of Microsoft Corporation.



Crestron Electronics, Inc.
15 Volvo Drive Rockleigh, NJ 07647
Tel: 888.CRESTRON
Fax: 201.767.7576
www.crestron.com

Installation Guide – DOC. 6020
11.02

Specifications subject to
change without notice.