

TSW-60-RMB/TSW-60-RMK

Retrofit Mounting Bracket & Rack Mount Kit for TSW-60 Series Installation Guide



Description

The Crestron® TSW-60-RMB retrofit mounting brackets and the TSW-60-RMK rack mount kits provide versatile mounting solutions for the Crestron TSW-560, TSW-760, and TSW-1060 touch screens. The TSW-60-RMB mounts over an existing back box, mounting kit, or cutout for a wall mounted Crestron touch screen, while the TSW-60-RMK enables the touch screen to be installed in an equipment rack.

The installation procedures for both mounting solutions are provided in this guide.

Additional Resources

Visit the product page on the Crestron website (www.crestron.com) for additional information and the latest firmware updates. Use a QR reader application on your mobile device to scan the QR image.



TSW-60-RMB



TSW-60-RMK

TSW-60-RMB Installation

Refer to the following table to determine the touch screens and legacy installations that are compatible with each TSW-60-RMB model.

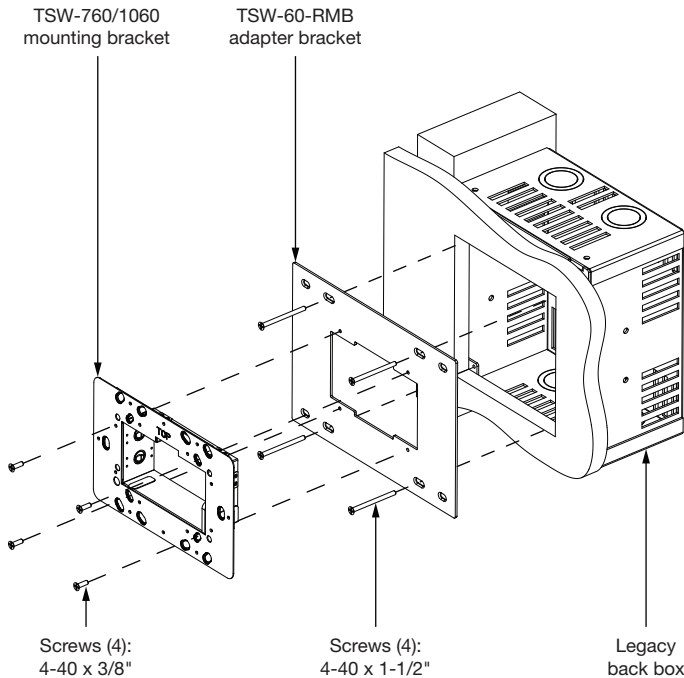
TSW-60-RMB Model Compatibility

TSW-60-RMB MODEL	COMPATIBLE TOUCH SCREENS	COMPATIBLE LEGACY INSTALLATIONS
TSW-760/1060-RMB-1	TSW-760, TSW-1060	APAD, CT-1000, LC-1000, TPS-2000L
TSW-760/1060-RMB-2	TSW-760, TSW-1060	TPS-4L
TSW-1060-RMB-3	TSW-1060	TPS-6L
TSW-1060-RMB-4	TSW-1060	TPS-3100L

Installation with a Back Box

To install the TSW-60-RMB in applications where there is an existing back box:

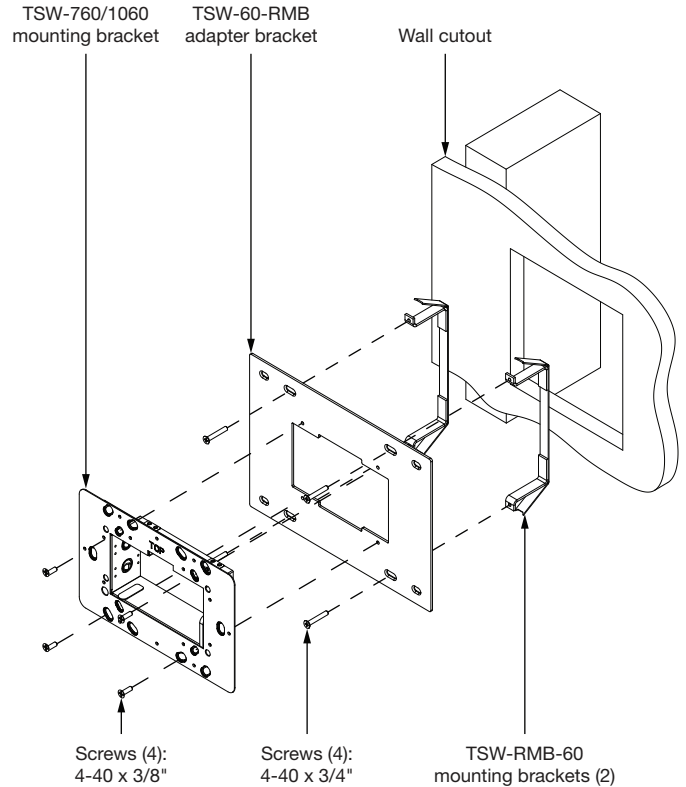
1. Use the included 4-40 x 1-1/2" screws to install the TSW-60-RMB adapter bracket over the existing back box.
2. Use the included 4-40 x 3/8" screws to install the TSW-760/1060 mounting bracket (not included) over the adapter bracket.



Installation without a Back Box

To install the TSW-60-RMB in applications where there is no existing back box:

1. Use the included 4-40 x 3/4" screws to loosely attach the TSW-60-RMB adapter bracket to the included mounting brackets. Install the screws only far enough to engage the threads in the bracket. (Do not tighten the screws yet.)
2. Push the assembly into the wall until the mounting brackets are fully seated and clip to the wall.
3. Tighten the four screws to secure the mounting bracket.
4. Use the included 4-40 x 3/8" screws to install the TSW-760/1060 mounting bracket (not included) over the adapter bracket.



TSW-60-RMK Installation

Refer to the following table to determine the touch screens that are compatible with each TSW-60-RMK model and the rack units required for installation.

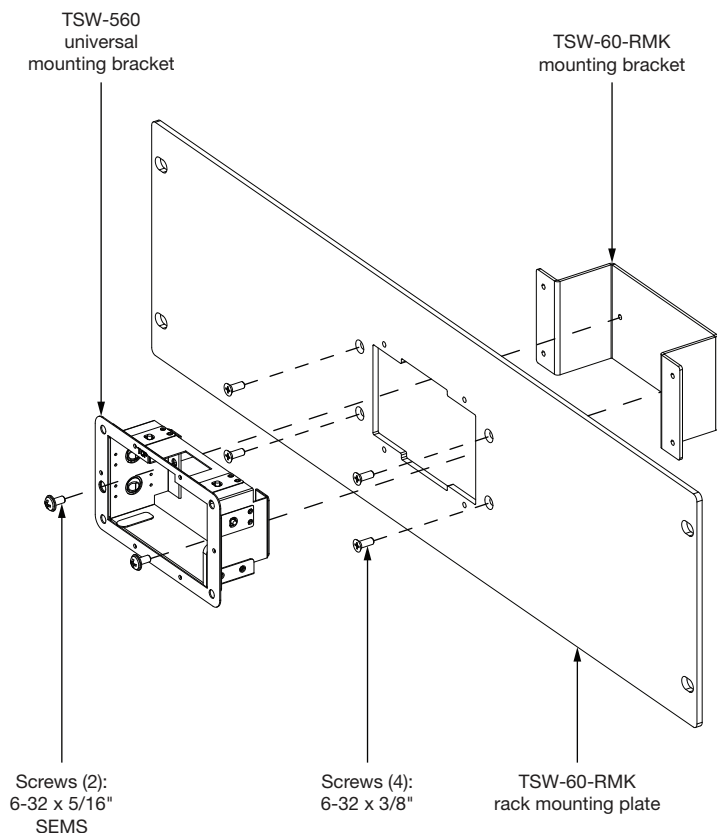
TSW-60-RMK Compatibility

TSW-60-RMK MODEL	COMPATIBLE TOUCH SCREENS	RACK UNITS REQUIRED
TSW-560/760-RMK-1	TSW-560, TSW-760	3 rack units
TSW-1060-RMK-2	TSW-1060	4 rack units

Install a TSW-560 into the Rack

To install a TSW-560 into the rack with the TSW-560/760-RMK-1:

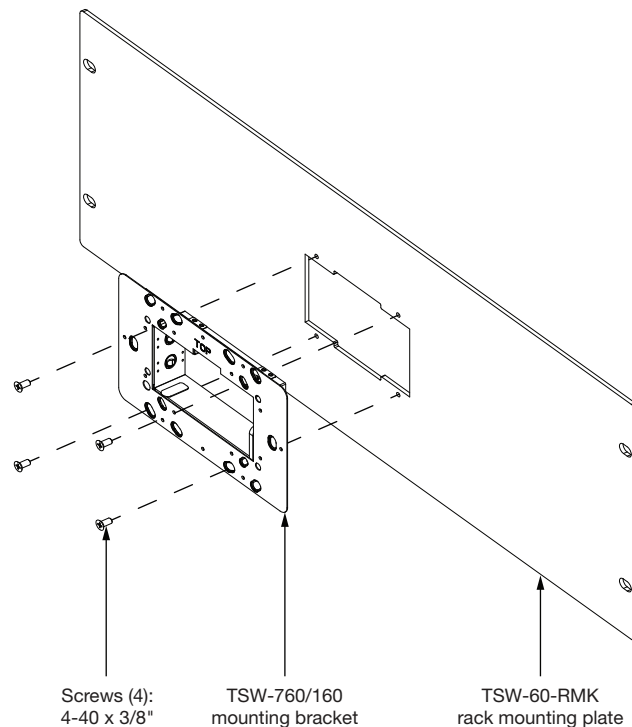
1. Use the included 6-32 x 3/8" screws to attach the TSW-60-RMK mounting bracket to the included rack mounting plate.
2. Mount the rack mounting plate to the rack using the appropriate hardware.
3. Separate the two halves of the TSW-560 universal mounting bracket (not included) by removing the two 1-1/2" screws that hold the halves together.
4. Use the included 6-32 x 5/16" SEMS screws to attach the front portion of the TSW-560 universal mounting bracket to the rack mounting plate.



Install a TSW-760 or TSW-1060 into the Rack

To install a TSW-760 or TSW-1060 into the rack with the TSW-560/760-RMK-1 or TSW-1060-RMK-2 (respectively):

1. Mount the included rack mounting plate to the rack using the appropriate hardware.
2. Use the included 4-40 x 3/8" screws to attach the TSW-760/1060 mounting bracket to the rack mounting plate.



The product warranty may be found at www.crestron.com/legal/sales-terms-conditions-warranties.

The specific patents that cover Crestron products are listed at www.crestron.com/legal/patents.

Certain Crestron products contain open source software. For specific information, please visit www.crestron.com/legal/open-source-software.

Crestron and the Crestron logo are either trademarks or registered trademarks of Crestron Electronics, Inc. in the United States and/or other countries. Other trademarks, registered trademarks, and trade names may be used in this document to refer to either the entities claiming the marks and names or their products. Crestron disclaims any proprietary interest in the marks and names of others. Crestron is not responsible for errors in typography or photography.

This document was written by the Technical Publications department at Crestron.

©2018 Crestron Electronics, Inc.

Crestron Electronics, Inc.
15 Volvo Drive, Rockleigh, NJ 07647
Tel: 888.CRESTRON
Fax: 201.767.7576
www.crestron.com

Installation Guide - DOC. 7982B
(2048544)

06.18

Specifications subject to change without notice.