

HD-MD-400-C-E

HD Scaling Auto-Switcher and Extender 400

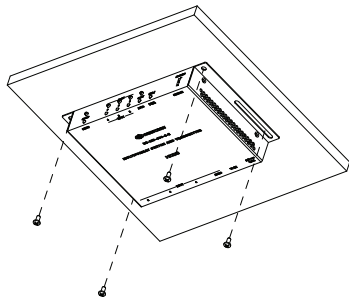
DO Install the Devices

The HD-MD-400-C-E is a multiformat switcher that consists of a transmitter and a receiver. The transmitter and receiver can be mounted onto a flat surface or onto a rack rail.

Mounting onto a Flat Surface

Using four mounting screws (not included), mount the transmitter and receiver onto a flat surface such as the underside of a table or onto a wall as appropriate for the installation.

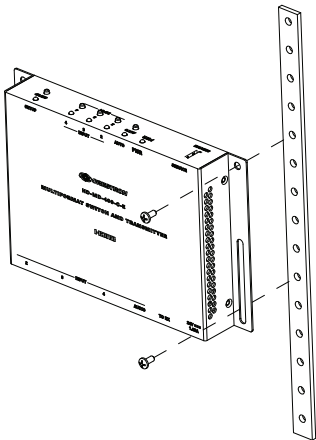
Mounting to the Underside of a Table



Mounting onto a Rack Rail

The transmitter and receiver can be mounted onto the front or rear rail of a rack. Position either the left or right mounting flange of the device so that the holes align with the holes in the rack. Then, secure the device to the rack using two mounting screws (not included).

Mounting onto a Rack Rail



DO Check the Box

QTY	PRODUCT	COLOR	PART NUM.
1	Connector, 2-Pin		2003574
2	Connector, 5-Pin		2003577
1	Power Pack, 24 Vdc 1.25 A, 100-240 Vac		2045870

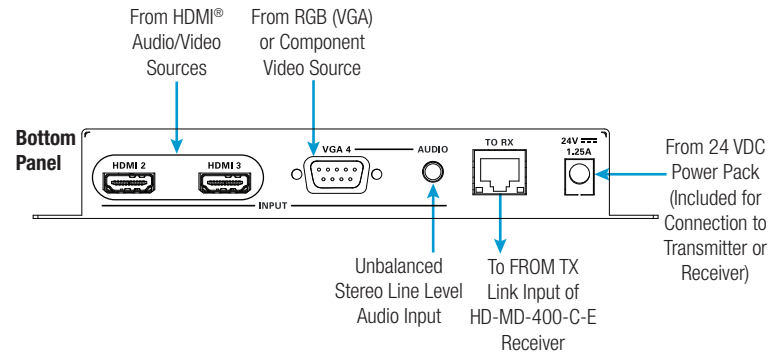
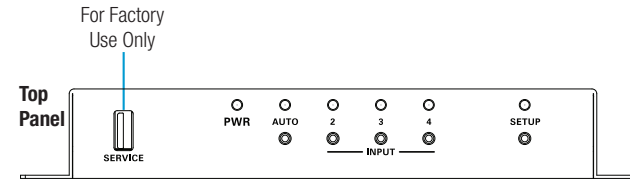
Not included: Cables, Mounting Screws

DO Connect the Devices

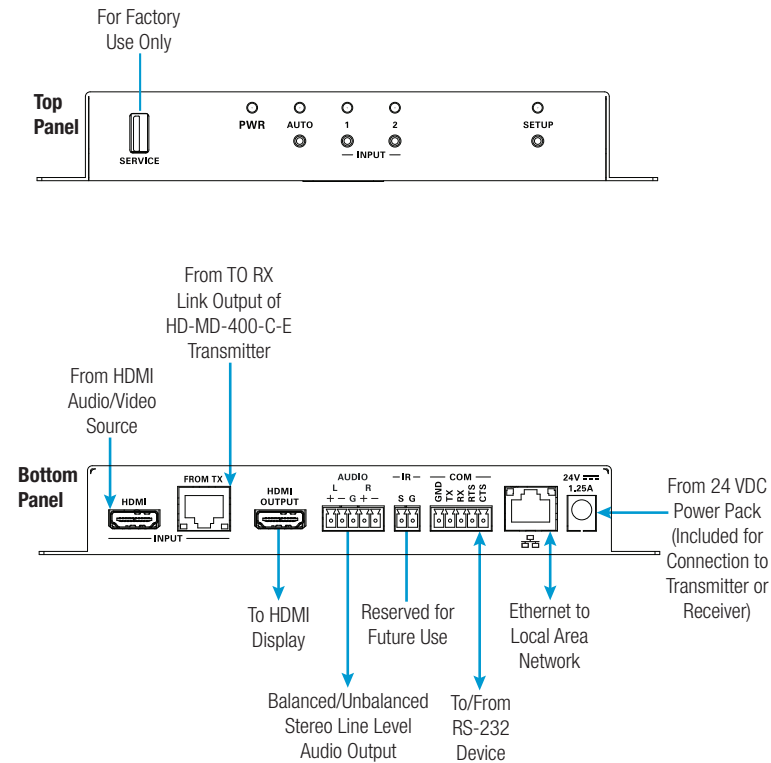
Make connections to the top and bottom panels of the devices as required for the application.

NOTE: Only one 24 Vdc power pack (included) is required to power both the transmitter and the receiver; therefore, connect the power pack to the 24 Vdc power connector of either the transmitter or receiver. Power is transmitted over the cable that connects the TO RX link output port of the transmitter to the FROM TX link input port of the receiver.

Top and Bottom Panel Connections of the HD-MD-400-C-E Transmitter



Top and Bottom Panel Connections of the HD-MD-400-C-E Receiver



DO Configure the HD-MD-400-C-E

Using the web interface, configure the HD-MD-400-C-E. To access the web interface, open a web browser and then go to the IP address of the HD-MD-400-C-E.

NOTE: By default, DHCP is enabled. To display the IP address on the connected HDMI® display, press the **SETUP** button on the top panel of the receiver. Although configuration of the HD-MD-400-C-E is hosted by the receiver, pressing the **SETUP** button on the top panel of the transmitter will also display the IP address.

To log in to the user interface, enter the user name and password. The default user name is *admin*, and the default password is *admin*. For additional information, refer to the HD-MD-400-C-E Supplemental Guide (Doc. 7797) at www.crestron.com/manuals.

DO Learn More

Visit the website for additional information and the latest firmware updates. To learn more about this product, use a QR reader application on your mobile device to scan the QR image.



Crestron Electronics

15 Volvo Drive, Rockleigh, NJ 07647
888.CRESTRON | www.crestron.com

CE As of the date of manufacture, the product has been tested and found to comply with specifications for CE marking.

Federal Communications Commission (FCC) Compliance Statement

This device complies with part 15 of the FCC Rules. Operation is subject to the following two conditions:
(1) This device may not cause harmful interference, and (2) this device must accept any interference received, including interference that may cause undesired operation.

CAUTION: Changes or modifications not expressly approved by the manufacturer responsible for compliance could void the user's authority to operate the equipment.

NOTE: This equipment has been tested and found to comply with the limits for a Class B digital device, pursuant to part 15 of the FCC Rules. These limits are designed to provide reasonable protection against harmful interference in a residential installation. This equipment generates, uses and can radiate radio frequency energy and, if not installed and used in accordance with the instructions, may cause harmful interference to radio communications. However, there is no guarantee that interference will not occur in a particular installation.

If this equipment does cause harmful interference to radio or television reception, which can be determined by turning the equipment off and on, the user is encouraged to try to correct the interference by one or more of the following measures:

- Reorient or relocate the receiving antenna.
- Increase the separation between the equipment and receiver.
- Connect the equipment into an outlet on a circuit different from that to which the receiver is connected.
- Consult the dealer or an experienced radio/TV technician for help.

Industry Canada (IC) Compliance Statement

CAN ICES-3(B)/NMB-3(B)

The specific patents that cover Crestron products are listed at www.crestron.com/legal/patents/.

The product warranty can be found at www.crestron.com/warranty.

Certain Crestron products contain open source software. For specific information, please visit www.crestron.com/opensource.

Crestron and the Crestron logo are either trademarks or registered trademarks of Crestron Electronics, Inc. in the United States and/or other countries. HDMI and the HDMI logo are either trademarks or registered trademarks of HDMI Licensing LLC in the United States and/or other countries. Other trademarks, registered trademarks, and trade names may be used in this document to refer to either the entities claiming the marks and names or their products. Crestron disclaims any proprietary interest in the marks and names of others. Crestron is not responsible for errors in typography or photography.

This document was written by the Technical Publications department at Crestron.

©2016 Crestron Electronics, Inc.