

CSA-DECOR3-BRKT-CLUTCH-EC-MTL

Crestron Shades with Brushed Metal Brackets, Manual Clutch Operation

- *Intuitive pull-chain control for precise positioning*
- *Universal mounting brackets allow for inside mount installation to the window jamb or header or outside mount to the window casing, wall, or ceiling*
- *Small light gaps*
- *Modern-looking hardware for exposed roller shade systems*
- *Compact design, takes up less space on mounting surface*
- *Metal end caps available in a variety of colors to match any decor*
- *Universal bracket for both manual and motorized shading solutions*
- *Smooth and quiet operation*
- *Field-configurable for left or right side pull chain operation*
- *Quick and easy installation*
- *Limited Lifetime Warranty*

The CSA-DECOR3-BRKT-CLUTCH-EC-MTL is a small mounting system that exposes the entire shade, giving the space a contemporary look. The system is very compact, enabling installation in tight spaces. The brushed metal end caps conceal the mounting brackets to provide an exceptionally elegant finish. The easy-to-install and versatile mounting brackets allow the shade to be mounted inside the window opening or on a wall or ceiling.

Clutch-operated shades provide precise pull-chain control for manual shade positioning. Manual shades offer a cost-effective alternative shading solution where motorized shades are unnecessary or not feasible.

For ceiling mounting, the brackets are rotated 90 degrees, leaving a smaller dimensional projection than a wall mount.

Easy Installation

Crestron shades are easy to install. Brackets are easily mounted, and the shade components are secured with no special tools required.

Crestron Design Tool Shades (CDTS) Software

The [Crestron Design Tool Shades \(CDTS\)](#) is a web-based tool used for quoting and ordering Crestron roller shades and drapery tracks. The software may be used to easily create proposals for customers and place orders directly to Crestron.

Specifications

Shade Control

Manual	Operator: Metal bead chain with manual clutch; Gear Ratio: 3:1; Load : 15.6 lb (7.1 kg) max; Pull Force: 5.2 lb. (2.4 kg) max
---------------	--

Shade Configuration

Shade Width	8 to 96 in. (204 to 2,439 mm); Bracket-to-Bracket (B2B) width including end caps; Width is dependent upon shade height and fabric selection
Fabric Width	1.56 in. (39 mm) deduction; Fabric Width = B2B - 1.56 in. (40 mm)
Light Gap	Drive Side: 0.79 in. (20 mm) Idler Side: 0.77 in. (19 mm)
Tube Diameter	Ø 1.63 in. (42 mm)
Roll Up Diameter	2.5 in. (64 mm)

End Caps

Material	Metal
Colors	Chrome, stainless steel, natural aluminum, black nickel, and old brass

Environmental

Temperature	32° to 104°F (0° to 40°C)
Humidity	10% to 90% RH (noncondensing)

Dimensions

Bracket	Height: 2-7/16 in. (62 mm) Width: 1-1/16 in. (28 mm) Depth: 3-1/16 in. (78 mm)
----------------	--

Available Accessories

For a list of available accessories, visit the [CSA-DECOR3-BRKT-CLUTCH-EC-MTL](#) product page.

CSA-DECOR3-BRKT-CLUTCH-EC-MTL

Crestron Shades with Brushed Metal Brackets, Manual Clutch Operation

This product may be purchased from select authorized Crestron dealers and distributors. To find a dealer or distributor, please contact the Crestron sales representative for your area. A list of sales representatives is available online at www.crestron.com/How-To-Buy/Find-a-Representative or contact us for additional information by visiting www.crestron.com/contact/our-locations for your local contact.

The original language version of this document is U.S. English. All other languages are a translation of the original document.

The product warranty can be found at www.crestron.com/warranty.

The specific patents that cover Crestron products are listed online at patents.crestron.com.

Certain Crestron products contain open source software. For specific information, please visit www.crestron.com/opensource.

Crestron and the Crestron logo are either trademarks or registered trademarks of Crestron Electronics, Inc. in the United States and/or other countries. Other trademarks, registered trademarks, and trade names may be used in this document to refer to either the entities claiming the marks and names or their products. Crestron disclaims any proprietary interest in the marks and names of others. Crestron is not responsible for errors in typography or photography.

Specifications are subject to change without notice.

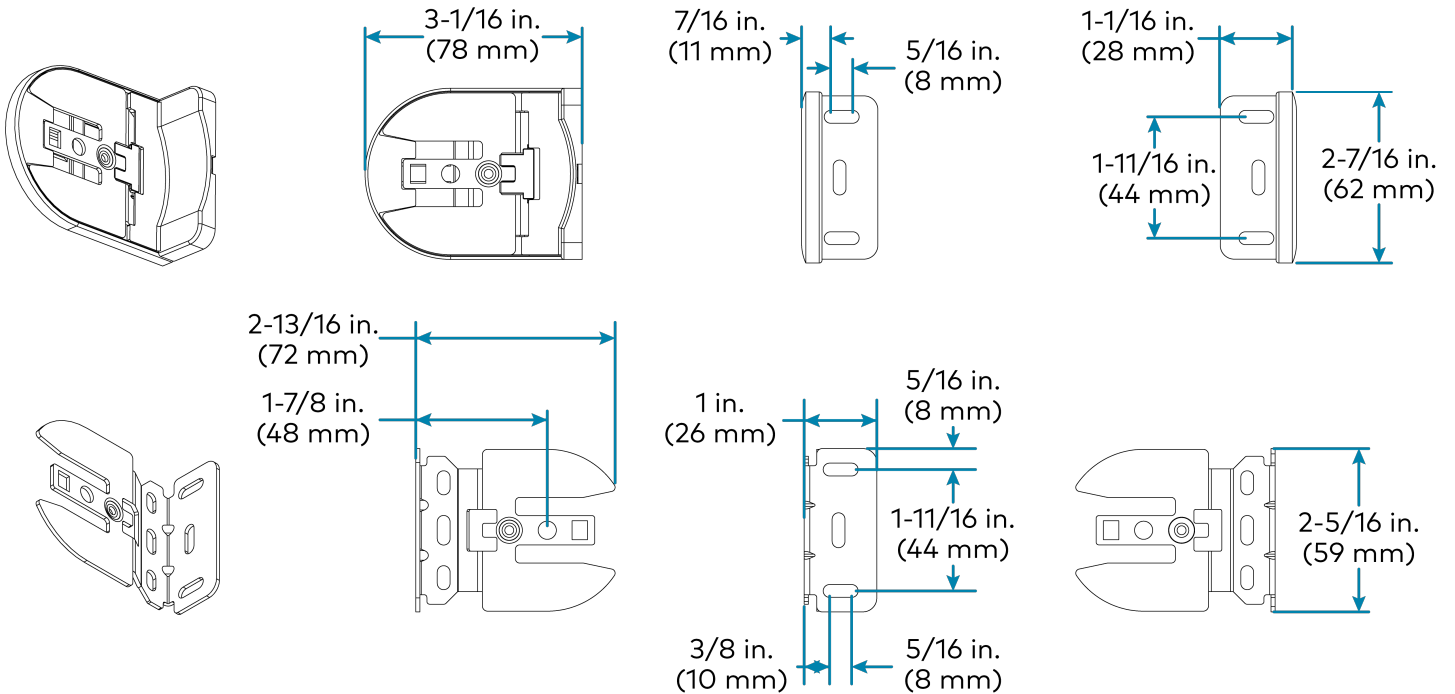
©2022 Crestron Electronics, Inc.

Rev 10/06/22

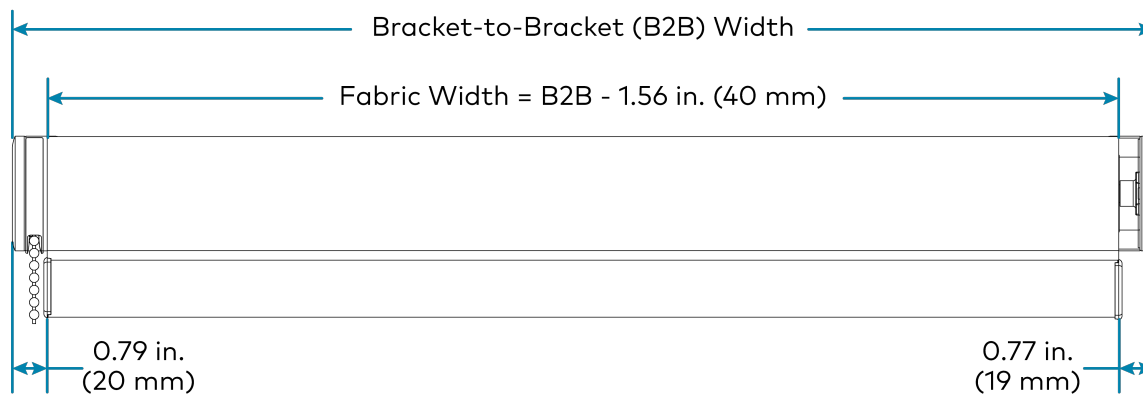
CSA-DECOR3-BRKT-CLUTCH-EC-MTL

Crestron Shades with Brushed Metal Brackets, Manual Clutch Operation

Bracket Dimensions



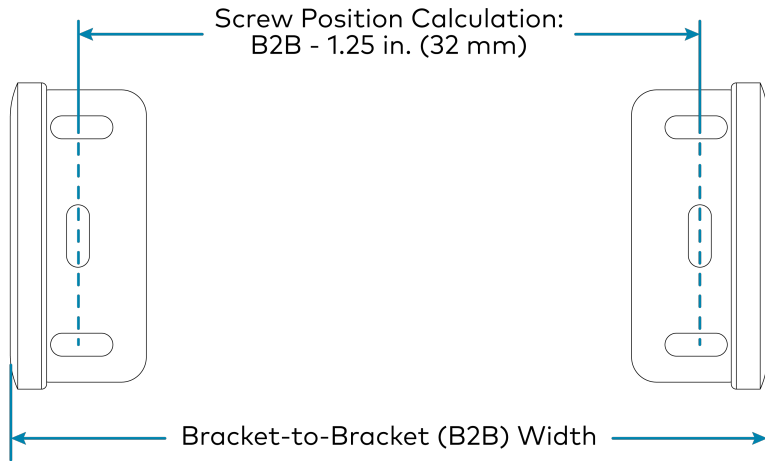
System Size



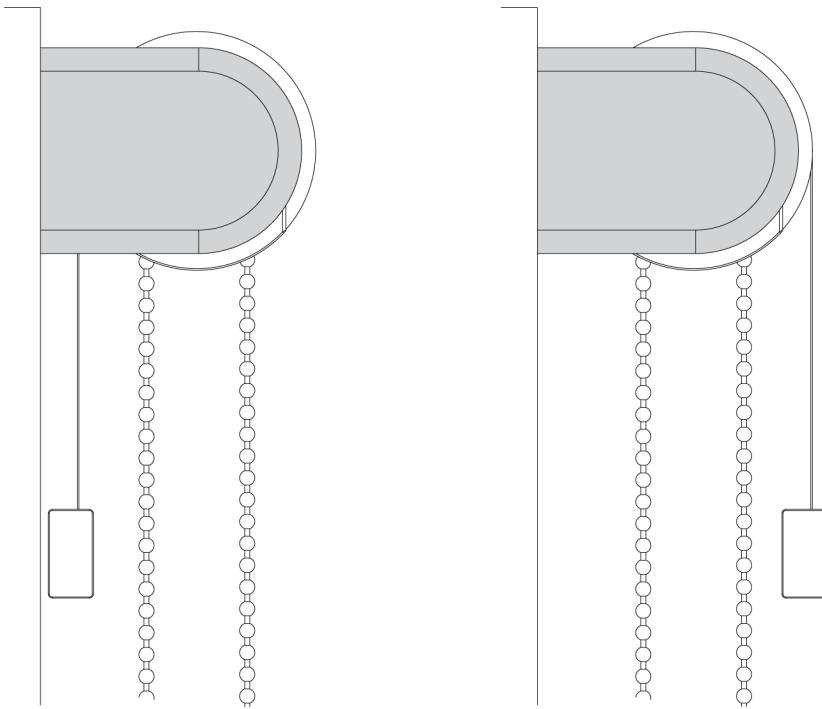
CSA-DECOR3-BRKT-CLUTCH-EC-MTL

Crestron Shades with Brushed Metal Brackets, Manual Clutch Operation

Bracket Mounting Screw Position



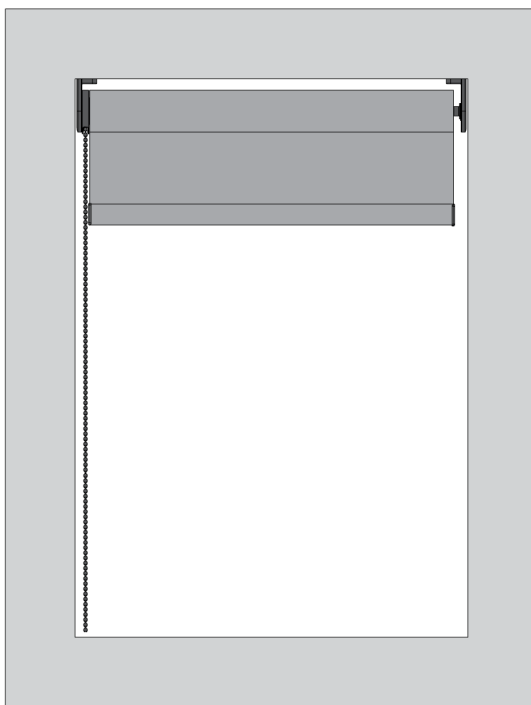
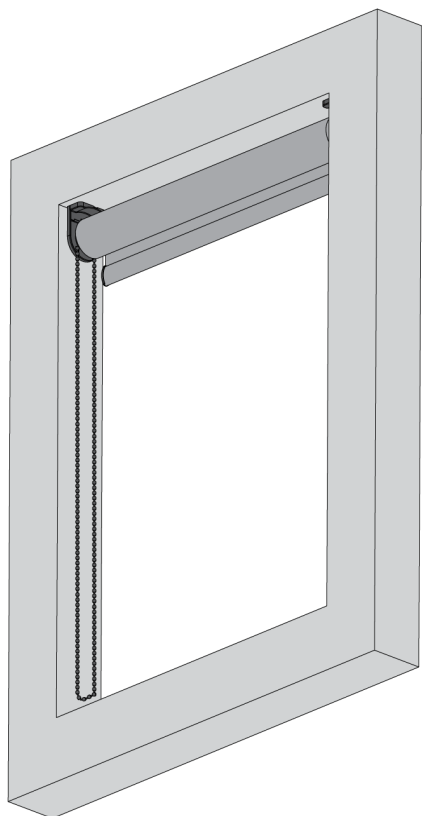
Roll Type: Regular Roll (Left) and Reverse Roll (Right)



CSA-DECOR3-BRKT-CLUTCH-EC-MTL

Crestron Shades with Brushed Metal Brackets, Manual Clutch Operation

Inside Mount



CSA-DECOR3-BRKT-CLUTCH-EC-MTL

Crestron Shades with Brushed Metal Brackets, Manual Clutch Operation

Outside Mount

