

## SAROS ICT5T-12-W-T-EACH+\*/SAROS ICT5T-22-W-T-EACH+

### Saros® In-Ceiling Tile Loudspeakers

The Saros ICT5T series of loudspeakers are designed for installation in a suspended ceiling grid using 15/16 in. tees and 2 ft x 2 ft or 2 ft x 4 ft tiles. With a 4 in. overall height, the loudspeakers have a very low profile and can be installed in a crowded plenum space.

The ICT5T-12 is a 1 ft x 2 ft in-ceiling tile loudspeaker while the ICT5T-22 is a 2 ft x 2 ft in-ceiling tile loudspeaker.

### Check the Box

Item	Qty
<b>SAROS ICT5T-12-W-T-EACH+*</b>	2
Cross Tee, 2 ft	2
<b>SAROS ICT5T-22-W-T-EACH+</b>	2
Cross Tee, 2 ft	2

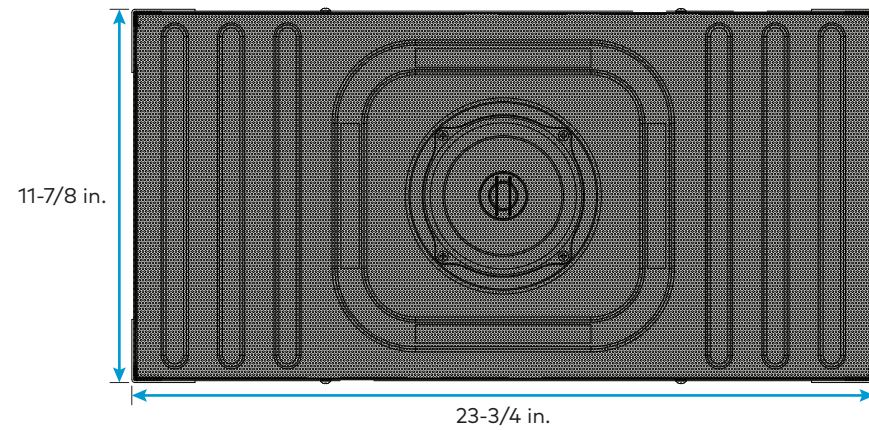
### Install the Speaker

#### Required Tools/Recommended Accessories

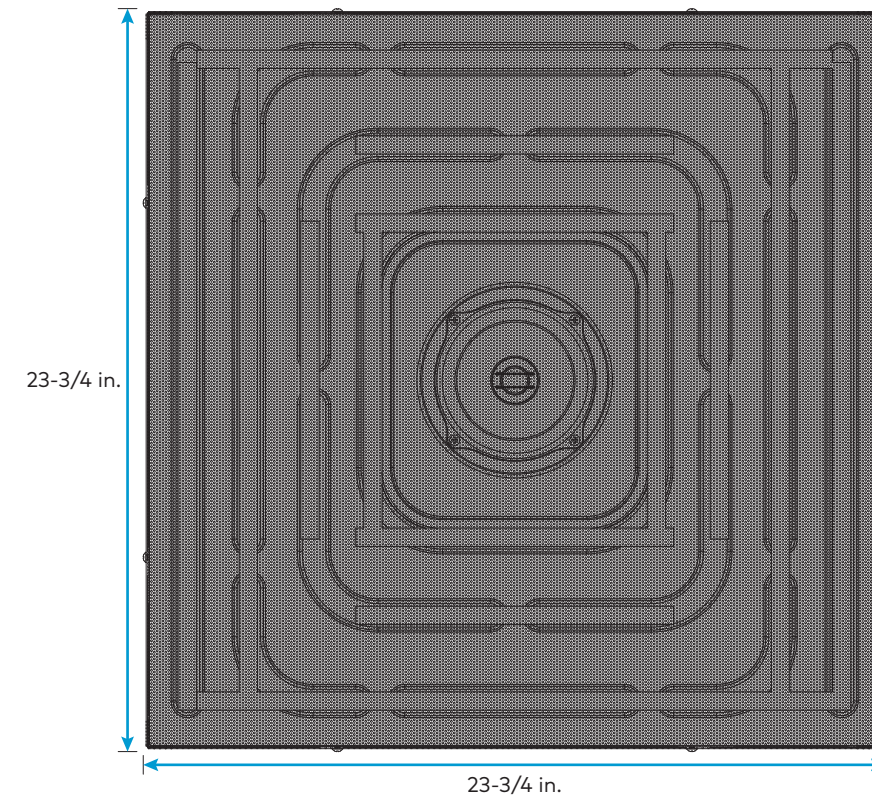
- Utility knife
- Flat blade screwdriver
- #1 Phillips screwdriver
- SPKA-ST-15 Safety Tether/Tie Down Kit (sold separately)

#### Install the Loudspeaker

The ICT5T-12 loudspeaker has the following dimensions for installation in a 2 ft x 2 ft or 2 ft x 4 ft suspended ceiling grid.

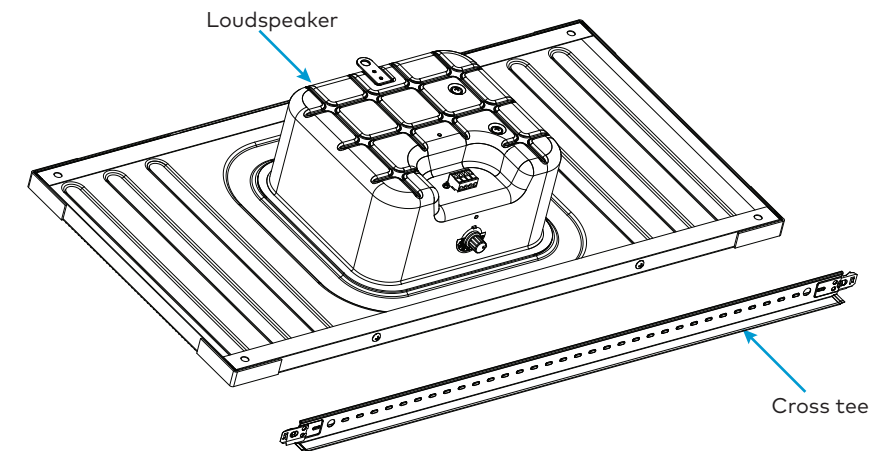


The ICT5T-22 loudspeaker has the following dimensions for installation in a 2 ft x 2 ft or 2 ft x 4 ft suspended ceiling grid.



1. Remove a 2 ft x 2 ft or 2 ft x 4 ft tile from the suspended ceiling grid.
2. When installing the loudspeaker in a tile space that is larger than the loudspeaker, use a utility knife to cut a 1 ft x 2 ft (for the 1 ft x 2 ft loudspeaker) or a 2 ft x 2 ft (for the 2 ft x 2 ft loudspeaker) section from the end of the tile.
3. When installing the loudspeaker in a tile space that is larger than the loudspeaker, install the included cross tee in the grid so the loudspeaker and ceiling tiles are supported on four sides.

#### Install cross tee (ICT5T-12 shown)



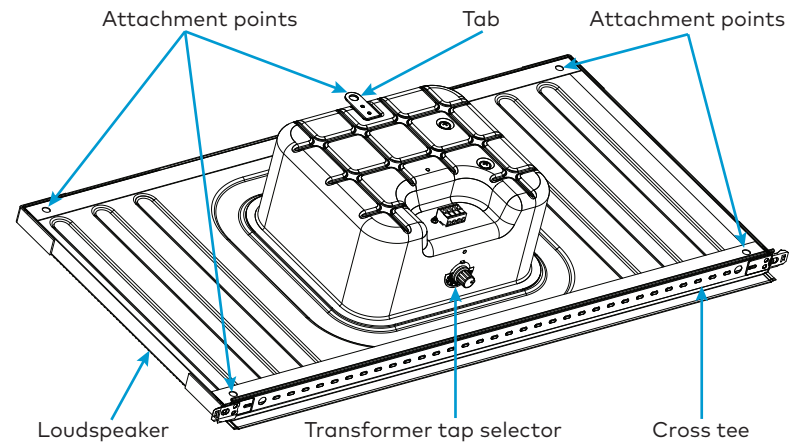
**NOTE:** The loudspeaker is designed for use with a suspended ceiling grid with 15/16 in. cross tees.

4. Return the remaining ceiling tile to the suspended ceiling grid and place the loudspeaker in the new opening on the grid.
5. To secure the loudspeaker and make the loudspeaker terminations, temporarily remove an adjacent tile for access to the area above the loudspeaker.



- Secure the loudspeaker to the building structure above using SPKA-ST-15 Safety Tether/Tie Down Kits (sold separately) or ceiling grid hanger wire.

**Secure the loudspeaker (ICT5T-12 shown)**



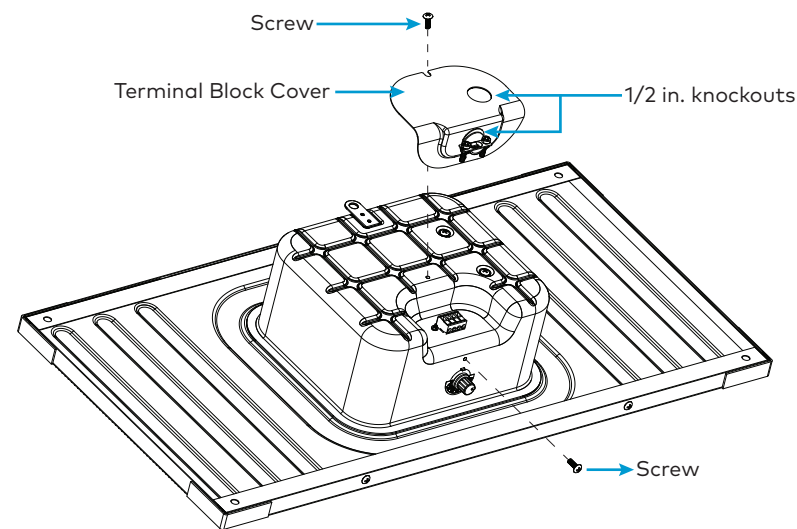
**CAUTION:** When attaching the loudspeaker to the building structure, always observe local building codes for compliance with the authority having jurisdiction.

**NOTE:** Secure the loudspeaker at the corner points for optimal installation. At a minimum, secure the tab located at the top of the loudspeaker.

**Connect the Loudspeaker**

- Use a #1 Phillips screwdriver to remove the two screws securing the terminal block cover, and remove the terminal block cover as shown in the diagram below. The terminal block is revealed.

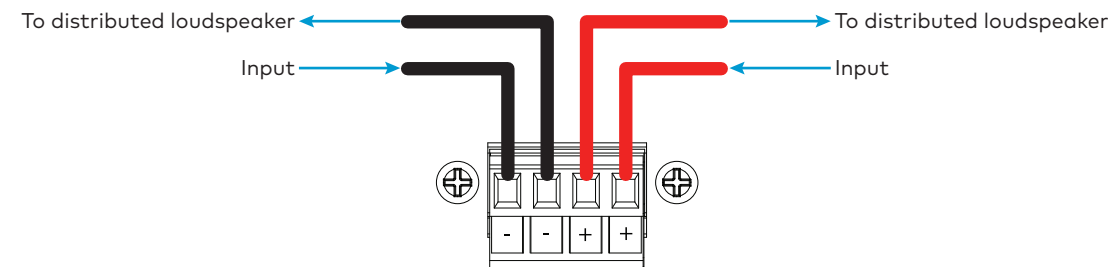
**Remove terminal block cover (ICT5T-12 shown)**



- Remove a knockout from the terminal block cover and feed the speaker wire through the terminal block cover to the terminal block. Use a 1/2 in. clamp (not included) to secure the cable to the terminal block cover.

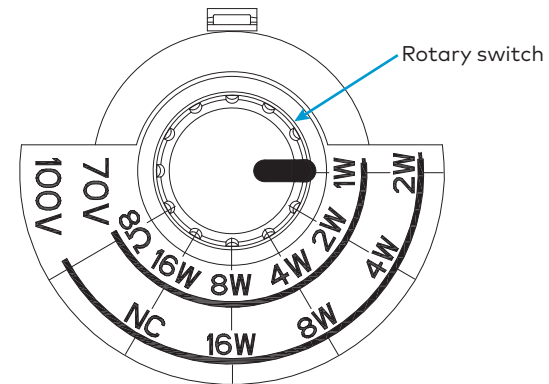
**NOTE:** For distributed systems with additional loudspeakers, the second knockout can be removed.

- Terminate the speaker wire to the terminal block connector.



- Replace the terminal block cover.

- The loudspeaker uses a rotary switch to set the transformer tap to the 8Ω low impedance selection or various high impedance taps for distributed system applications. Turn the knob to select the operating mode (1W, 2W, 4W, 8W, or 16W for 70V operation, or 2W, 4W, 8W, or 16W for 100V operation).



- Replace all ceiling tiles that were removed during installation.

**Additional Information**

Scan or click the QR code for detailed product information.



SAROS ICT5T-12-W-T-EACH+\*



SAROS ICT5T-22-W-T-EACH+

**Compliance and Legal**

**Original Instructions:** The U.S. English version of this document is the original instructions. All other languages are a translation of the original instructions.

**Regulatory Model:** M201904004

This product is Listed to applicable UL® Standards and requirements tested by Intertek.

Ce produit est homologué selon les normes et les exigences UL applicables par Intertek.



As of the date of manufacture, the product has been tested and found to comply with specifications for CE marking.



The product warranty can be found at [www.crestron.com/warranty](http://www.crestron.com/warranty).

The specific patents that cover Crestron products are listed at [www.crestron.com/legal/patents](http://www.crestron.com/legal/patents).

Certain Crestron products contain open source software. For specific information, please visit [www.crestron.com/opensource](http://www.crestron.com/opensource).

Crestron, the Crestron logo, and Saros are either trademarks or registered trademarks of Crestron Electronics, Inc. in the United States and/or other countries. The ETL logo is either a trademark or registered trademark of Intertek Testing Services NA in the United States and/or other countries. UL and the UL logo are either trademarks or registered trademarks of Underwriters Laboratories, Inc. in the United States and/or other countries. Other trademarks, registered trademarks, and trade names may be used in this document to refer to either the entities claiming the marks and names or their products. Crestron disclaims any proprietary interest in the marks and names of others. Crestron is not responsible for errors in typography or photography.

©2019 Crestron Electronics, Inc.

**Crestron Electronics, Inc.**  
15 Volvo Drive, Rockleigh, NJ 07647  
Tel: 888.CRESTRON  
Fax: 201.767.7576  
[www.crestron.com](http://www.crestron.com)

**Quick Start - Doc. 8488A**  
(2054117)  
08/21/19  
Specifications subject to  
change without notice.