

# HZA-KEY Series

## Horizon™ Keystone Plate

- > Bespoke designer aesthetics
- > Precision fit and finish
- > Accommodates any flush-mount keystone connector
- > 1, 2, or 4 keystone module positions
- > Single-gang U.S. wall box installation
- > Gangable up to four across
- > Contiguous surface when multi-ganged
- > Distinctively customizable faceplate trim options
- > Compatible with Crestron® Horizon™ faceplates only (HZ-FP-G series)<sup>[1]</sup>

The Horizon™ keystone plate (HZA-KEY series) is used in conjunction with keystone modules<sup>[1]</sup> to fulfill the most complicated installation requirements. Styled to match the Horizon™ devices, the keystone plate enables the connection of networking and AV equipment while maintaining an elegant look throughout the home while. Compatible with most third-party keystone modules<sup>[1]</sup> to suit any application.

Visit <https://www.crestron.com/horizon> for additional information.

To achieve a more bespoke appearance tailored to the room décor, the trim pieces may be replaced with custom trim fabricated from any solid material, such as wood, metal, marble, engineered stone, or Corian®. Please contact your Crestron representative, or refer to Crestron True Blue Support Online Help [Answer ID: 1000140](#), to obtain specifications and CADs for the fabrication of custom trim.

### Contiguous Multi-Gang Expansion

Installing a single Horizon keystone plate requires a single-gang U.S. electrical box or plaster ring (not included). For larger applications, up to four keystone plates may be installed together, arranged side-by-side in a multi-gang electrical box. All devices in a multi-gang arrangement align perfectly to form one contiguous surface with no separation between them. Multi-gang Horizon faceplates (HZ-FP-G series) are offered in 2, 3, and 4 gang sizes.<sup>[1]</sup>



White  
(HZA-KEY2 shown  
with faceplate)



Almond  
(HZA-KEY2 shown  
with faceplate)



Black  
(HZA-KEY2 shown  
with faceplate)

## SPECIFICATIONS

### Connectors

#### Keystone Module Positions:

HZA-KEY1: 1 position (empty)

HZA-KEY2: 2 position (empty)

HZA-KEY4: 4 position (empty)

### Construction

Keystone Plate: Plastic; smooth

Mounting: Mounts in a 1-gang or larger U.S. electrical box or plaster ring (not included), gangable up to four units

Faceplate: Requires an HZ-FP series faceplate<sup>[1]</sup>

### Dimensions

Height: 4.13 in (105 mm)

Width: 1.80 in (46 mm)

Depth: 0.56 in (15 mm)

## MODELS & ACCESSORIES

### Available Models

HZA-KEY1-A: Horizon™ Keystone Plate, 1 Position, Almond

HZA-KEY1-B: Horizon™ Keystone Plate, 1 Position, Black

HZA-KEY1-W: Horizon™ Keystone Plate, 1 Position, White

HZA-KEY2-A: Horizon™ Keystone Plate, 2 Position, Almond

HZA-KEY2-B: Horizon™ Keystone Plate, 2 Position, Black

HZA-KEY2-W: Horizon™ Keystone Plate, 2 Position, White

HZA-KEY4-A: Horizon™ Keystone Plate, 4 Position, Almond

HZA-KEY4-B: Horizon™ Keystone Plate, 4 Position, Black

HZA-KEY4-W: Horizon™ Keystone Plate, 4 Position, White

# HZA-KEY Series Horizon™ Keystone Plate

## Available Accessories

**HZ-FP-G1 Series:** Horizon™ Faceplates, 1-Gang; Almond, Black, or White

**HZ-FP-G2 Series:** Horizon™ Faceplates, 2-Gang; Almond, Black, or White

**HZ-FP-G3 Series:** Horizon™ Faceplates, 3-Gang; Almond, Black, or White

**HZ-FP-G4 Series:** Horizon™ Faceplates, 4-Gang; Almond, Black, or White

**HZ-TRIM-G1-PAINT-DARK:** Horizon™ Paintable Trim, 1-Gang, Dark

**HZ-TRIM-G1-PAINT-Light:** Horizon™ Paintable Trim, 1-Gang, Light

**HZ-TRIM-G2-PAINT-DARK:** Horizon™ Paintable Trim, 2-Gang, Dark

**HZ-TRIM-G2-PAINT-Light:** Horizon™ Paintable Trim, 2-Gang, Light

**HZ-TRIM-G3-PAINT-DARK:** Horizon™ Paintable Trim, 3-Gang, Dark

**HZ-TRIM-G3-PAINT-Light:** Horizon™ Paintable Trim, 3-Gang, Light

**HZ-TRIM-G4-PAINT-DARK:** Horizon™ Paintable Trim, 4-Gang, Dark

**HZ-TRIM-G4-PAINT-Light:** Horizon™ Paintable Trim, 4-Gang, Light

## Notes:

1. Item(s) sold separately.

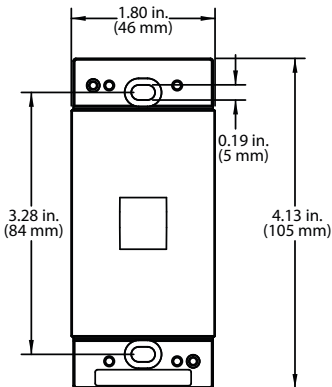
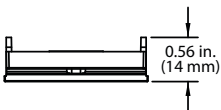
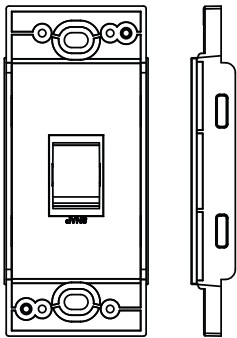
This product may be purchased from an authorized Crestron dealer. To find a dealer, please contact the Crestron sales representative for your area. A list of sales representatives is available online at <https://www.crestron.com/How-To-Buy/Find-a-Representative> or by calling 855-263-8754.

The specific patents that cover this and other Crestron products are listed online at <https://www.crestron.com/legal/patents>.

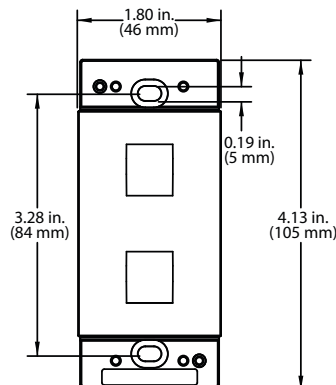
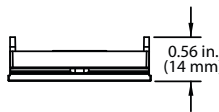
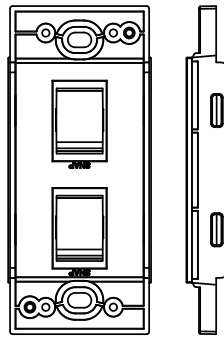
Certain Crestron products contain open source software. For specific information, please visit <https://www.crestron.com/opensource>.

Crestron, the Crestron logo, and Horizon are either trademarks or registered trademarks of Crestron Electronics, Inc. in the United States and/or other countries. Corian is either a trademark or registered trademark of E. I. du Pont de Nemours and Company in the United States and/or other countries. Other trademarks, registered trademarks, and trade names may be used in this document to refer to either the entities claiming the marks and names or their products. Crestron disclaims any proprietary interest in the marks and names of others. Crestron is not responsible for errors in typography or photography. Specifications are subject to change without notice. ©2019 Crestron Electronics, Inc.

**HZA-KEY1**



**HZA-KEY2**



**HZA-KEY4**

