

Crestron **TSW-550-BBI**

Wall Mount Back Box

International Version

Installation Guide



The specific patents that cover Crestron products are listed at patents.crestron.com.

Crestron and the Crestron logo are either trademarks or registered trademarks of Crestron Electronics, Inc. in the United States and/or other countries. Other trademarks, registered trademarks, and trade names may be used in this document to refer to either the entities claiming the marks and names or their products. Crestron disclaims any proprietary interest in the marks and names of others. *Crestron is not responsible for errors in typography or photography.*

This document was written by the Technical Publications department at Crestron.
©2014 Crestron Electronics, Inc.

Contents

Wall Mount Back Box: TSW-550-BBI	1
Description.....	1
Installation	3
Resources.....	6
Further Inquiries	6
Future Updates	6
Return and Warranty Policies	7
Merchandise Returns / Repair Service	7
Crestron Limited Warranty.....	7

Wall Mount Back Box: TSW-550-BBI

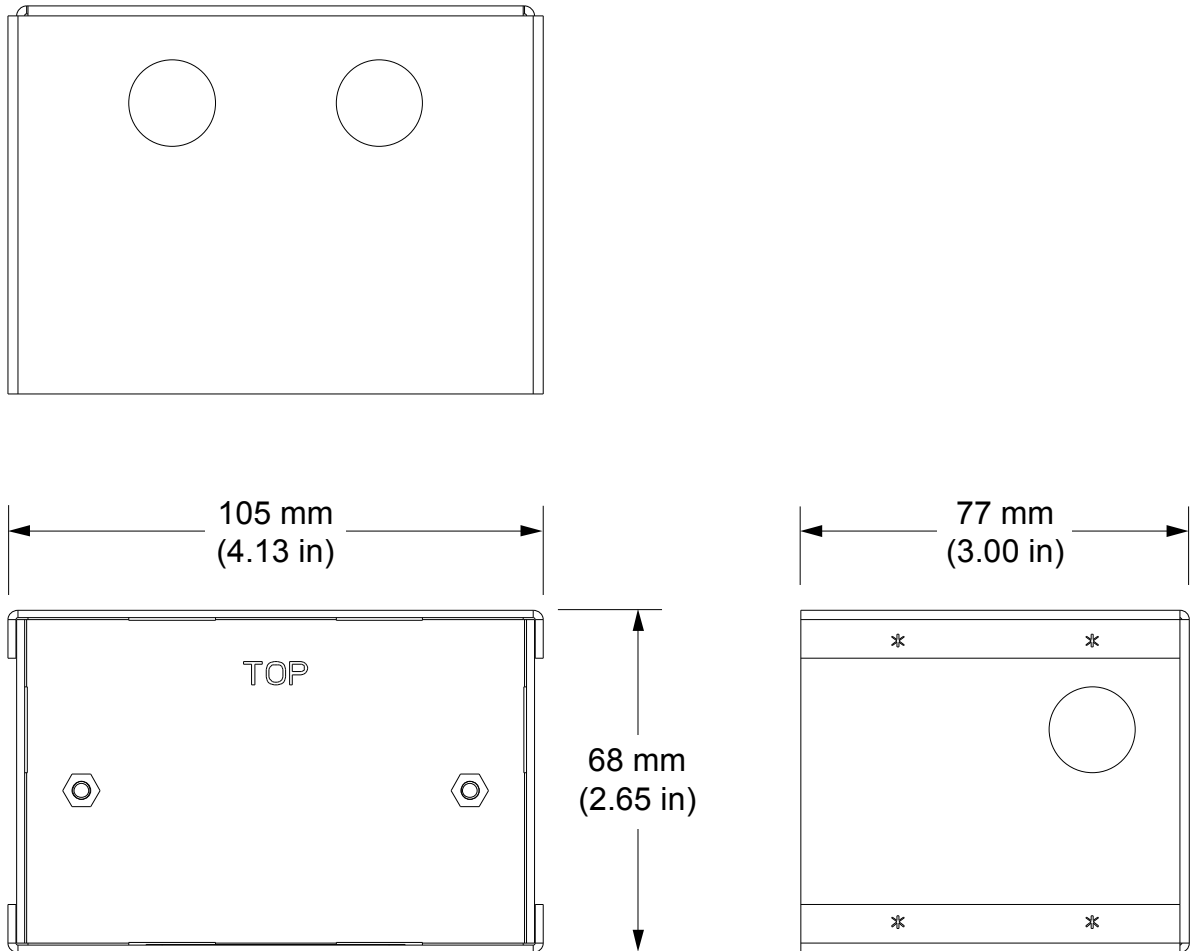
Description

The TSW-550-BBI provides a recess wall-mounted metal back box for the Crestron® TSW-550 or TSW-552 Touch Screens. It is designed for installation in concrete and masonry applications. Conduit knockouts are provided on the top and bottom.

NOTE: Depending on the installation, forced ventilation may be required.

The dimensions of the TSW-550-BBI are shown in the following illustrations.

TSW-550-BBI Overall Dimensions (Top, Front and Side Views)



NOTE: Knockout holes are intended for Class 2 wiring only and are 20 mm (13/16") diameter.

Installation

The hardware supplied with the TSW-550-BBI is listed in the following table.

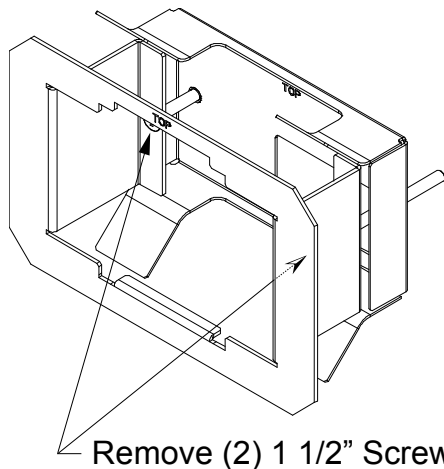
Supplied Hardware for the TSW-550-BBI

DESCRIPTION	PART NUMBER	QUANTITY
Assembly, Back Box, International	4518364	1
Screw, #06-32 x 1/2", Flat, Phil	2007241	2

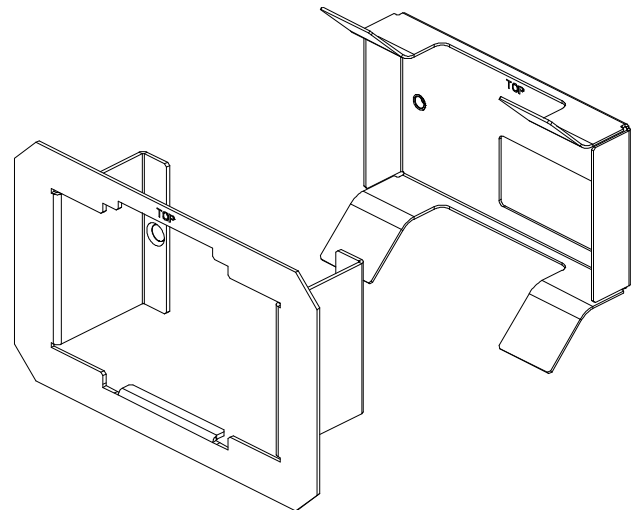
To install the TSW-550-BBI, use the following procedure:

1. If it has not already been done, separate the two halves of the mounting bracket that comes with the touch screen by removing the two 1 1/2" screws that hold them together. Refer to the following illustrations.

Separate Halves of Mounting Bracket



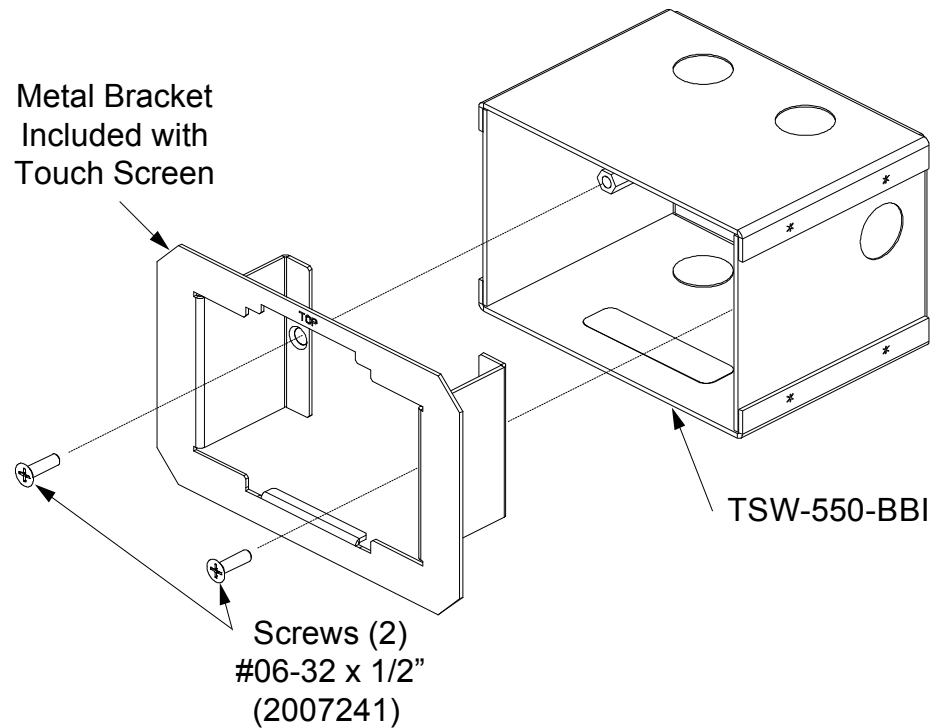
Mounting Bracket (After Separation)



2. The rear part of the mounting bracket can be saved for possible use in the future. Only the front part is required for installation of the TSW-550-BBI.

3. Use the two #06-32 x 1/2" screws (2007241) that come with the TSW-550-BBI to install the front part of the mounting bracket assembly onto the back box. Refer to the following illustration.

Install Mounting Bracket into TSW-550-BBI

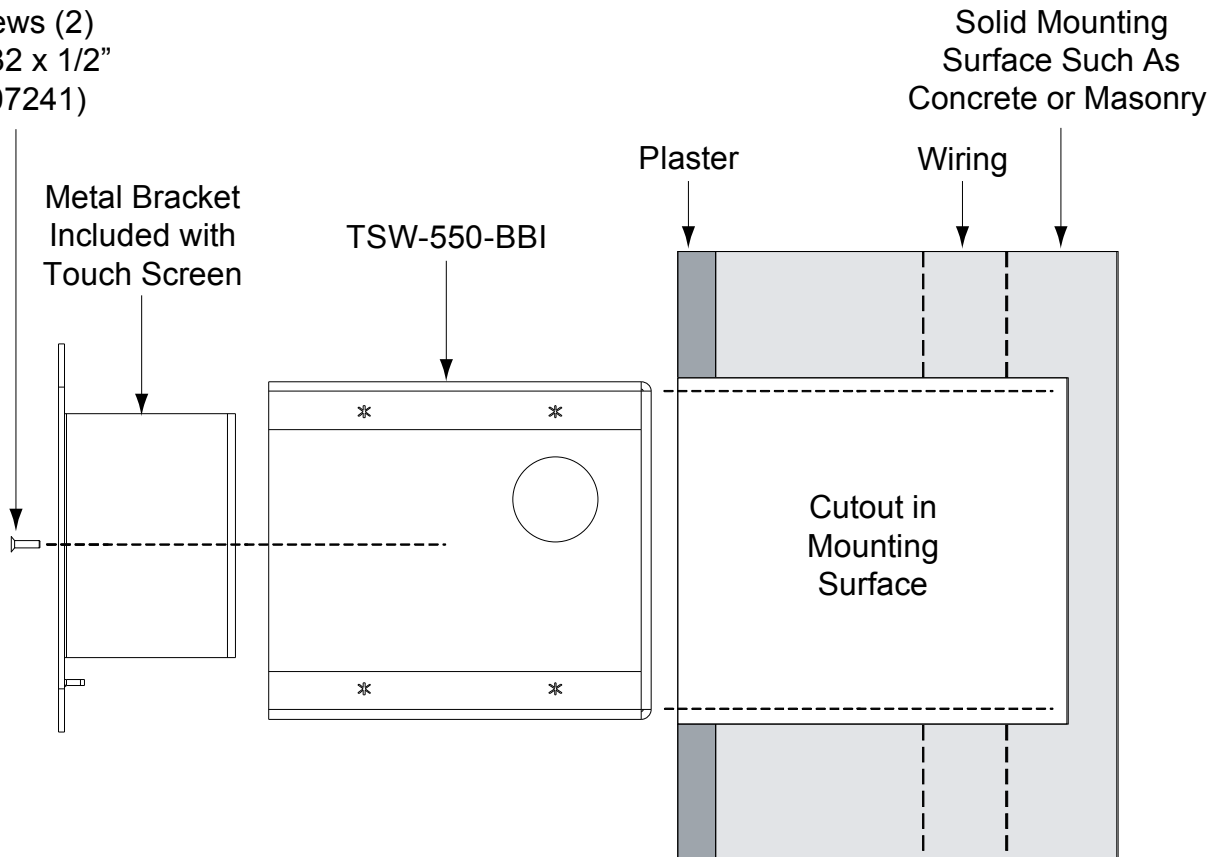


NOTE: Remove the appropriate knockouts before installation.

4. Make sure the “TOP” text on the inside of the back box is facing upward. Mount the TSW-550-BBI as shown in the following illustration. Depending on the installation, forced ventilation may be required.

Mounting the TSW-550-BBI (Exploded View)

Screws (2)
 #06-32 x 1/2”
 (2007241)



Resources

Further Inquiries

To locate specific information or resolve questions after reviewing this guide, contact Crestron's True Blue Support at 1-888-CRESTRON [1-888-273-7876] or, for assistance within a particular geographic region, refer to the listing of Crestron worldwide offices at www.crestron.com/offices.

To post a question about Crestron products, log onto Crestron's Online Help at www.crestron.com/onlinehelp. First-time users must establish a user account to fully benefit from all available features.

Future Updates

As Crestron improves functions, adds new features and extends the capabilities of the TSW-550-BBI, additional information may be made available as manual updates. These updates are solely electronic and serve as intermediary supplements prior to the release of a complete technical documentation revision.

Check the Crestron website periodically for manual update availability and its relevance. Updates are identified as an "Addendum" in the Download column.

Return and Warranty Policies

Merchandise Returns / Repair Service

1. No merchandise may be returned for credit, exchange or service without prior authorization from Crestron. To obtain warranty service for Crestron products, contact an authorized Crestron dealer. Only authorized Crestron dealers may contact the factory and request an RMA (Return Merchandise Authorization) number. Enclose a note specifying the nature of the problem, name and phone number of contact person, RMA number and return address.
2. Products may be returned for credit, exchange or service with a Crestron Return Merchandise Authorization (RMA) number. Authorized returns must be shipped freight prepaid to Crestron, 6 Volvo Drive, Rockleigh, N.J. or its authorized subsidiaries, with RMA number clearly marked on the outside of all cartons. Shipments arriving freight collect or without an RMA number shall be subject to refusal. Crestron reserves the right in its sole and absolute discretion to charge a 15% restocking fee plus shipping costs on any products returned with an RMA.
3. Return freight charges following repair of items under warranty shall be paid by Crestron, shipping by standard ground carrier. In the event repairs are found to be non-warranty, return freight costs shall be paid by the purchaser.

Crestron Limited Warranty

Crestron Electronics, Inc. warrants its products to be free from manufacturing defects in materials and workmanship under normal use for a period of three (3) years from the date of purchase from Crestron, with the following exceptions: disk drives and any other moving or rotating mechanical parts, pan/tilt heads and power supplies are covered for a period of one (1) year; touch screen display and overlay components are covered for 90 days; batteries and incandescent lamps are not covered.

This warranty extends to products purchased directly from Crestron or an authorized Crestron dealer. Purchasers should inquire of the dealer regarding the nature and extent of the dealer's warranty, if any.

Crestron shall not be liable to honor the terms of this warranty if the product has been used in any application other than that for which it was intended or if it has been subjected to misuse, accidental damage, modification or improper installation procedures. Furthermore, this warranty does not cover any product that has had the serial number altered, defaced or removed.

This warranty shall be the sole and exclusive remedy to the original purchaser. In no event shall Crestron be liable for incidental or consequential damages of any kind (property or economic damages inclusive) arising from the sale or use of this equipment. Crestron is not liable for any claim made by a third party or made by the purchaser for a third party.

Crestron shall, at its option, repair or replace any product found defective, without charge for parts or labor. Repaired or replaced equipment and parts supplied under this warranty shall be covered only by the unexpired portion of the warranty.

Except as expressly set forth in this warranty, Crestron makes no other warranties, expressed or implied, nor authorizes any other party to offer any warranty, including any implied warranties of merchantability or fitness for a particular purpose. Any implied warranties that may be imposed by law are limited to the terms of this limited warranty. This warranty statement supersedes all previous warranties.



Crestron Electronics, Inc.
15 Volvo Drive Rockleigh, NJ 07647
Tel: 888.CRESTRON
Fax: 201.767.7576
www.crestron.com



Installation Guide – DOC. 7519B
(2036297)

04.14

Specifications subject to
change without notice.