

## Tabletop Mounting Kit for Zūm® Battery-Powered Wireless Keypads



(ZUMMESH-KP-BATT-TTK-W-S shown, keypad sold separately)

- *Tabletop mounting kit for Zūm® Mesh battery-powered wireless keypads*
- *Quick assembly*
- *Available in black and white finishes*

The ZUMMESH-KP-BATT-TTK is a tabletop mounting kit for Zūm® Mesh battery-powered wireless keypads. The mounting kit enables the wireless keypad to control Zūm lighting systems from a conference room table or desk. The ZUMMESH-KP-BATT-TTK provides a quick and easy mounting solution for Zūm battery-powered keypads.

### Specifications

#### Compatible Keypads

ZUMMESH-KP10AMBATT, ZUMMESH-KP10AV1BATT, ZUMMESH-KP10AV2BATT, ZUMMESH-KP10AV3BATT, ZUMMESH-KP10AV4BATT, ZUMMESH-KP10AV5BATT, ZUMMESH-KP10ABATT, ZUMMESH-KP10BBATT, ZUMMESH-KP10CBATT, ZUMMESH-KP10DBATT, ZUMMESH-KP10FBATT, ZUMMESH-KP10GBATT

**NOTE:** Keypad sold separately.

#### Construction

<b>Material</b>	Polycarbonate, white or black smooth finish
<b>Mounting</b>	Surface mountable with protective adhesive pads

#### Dimensions

<b>Height</b>	1.75 in. (44 mm)
<b>Width</b>	2.30 in. (58 mm)
<b>Length</b>	4.51 in. (115 mm)

### Models

#### ZUMMESH-KP-BATT-TTK-W-S

Tabletop Mounting Kit for Zūm® Battery-Powered Wireless Keypads, White

#### ZUMMESH-KP-BATT-TTK-B-S

Tabletop Mounting Kit for Zūm® Battery-Powered Wireless Keypads, Black

The original language version of this document is U.S. English. All other languages are a translation of the original document.

A list of sales representatives is available online at [www.crestron.com/How-To-Buy/Find-a-Representative](http://www.crestron.com/How-To-Buy/Find-a-Representative) or contact us for additional information by visiting [www.crestron.com/contact/our-locations](http://www.crestron.com/contact/our-locations) for your local contact.

The product warranty can be found at [www.crestron.com/warranty](http://www.crestron.com/warranty).

The specific patents that cover Crestron products are listed online at [www.crestron.com/legal/patents](http://www.crestron.com/legal/patents).

Certain Crestron products contain open source software. For specific information, please visit [www.crestron.com/opensource](http://www.crestron.com/opensource).

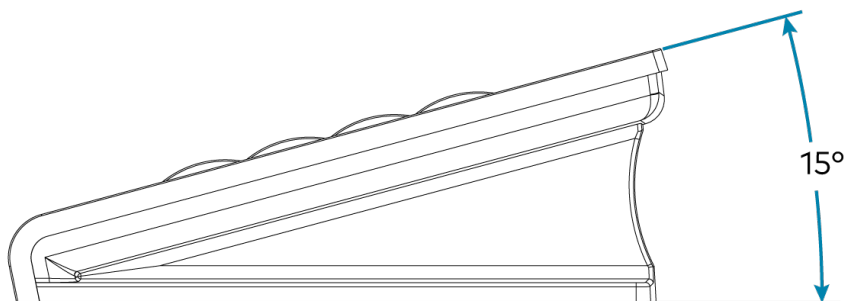
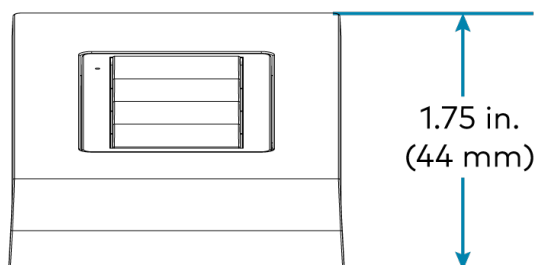
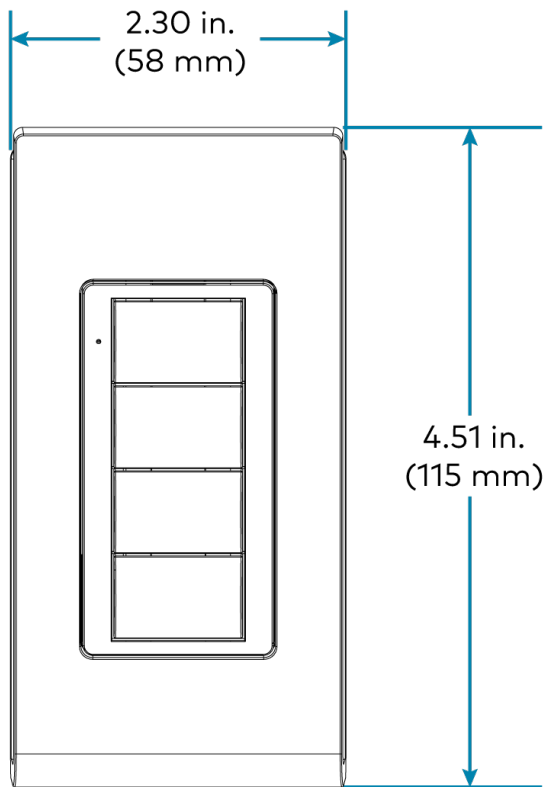
Crestron, the Crestron logo, and Zūm are either trademarks or registered trademarks of Crestron Electronics, Inc. in the United States and/or other countries. Other trademarks, registered trademarks, and trade names may be used in this document to refer to either the entities claiming the marks and names or their products. Crestron disclaims any proprietary interest in the marks and names of others. Crestron is not responsible for errors in typography or photography.

Specifications are subject to change without notice.

©2022 Crestron Electronics, Inc.

Rev 11/29/22

## Tabletop Mounting Kit for Zūm® Battery-Powered Wireless Keypads



**NOTE:** Keypad sold separately.