

Crestron **WMKU-4SM**
Universal Wall Mount Kit
for TPMC-4SM(D) & TPCS-4SM(D)

Installation Guide



This document was prepared and written by the Technical Documentation department at:



Regulatory Compliance

As of the date of manufacture, the WMKU-4SM has been tested and found to comply with specifications for CE marking and standards per EMC and Radiocommunications Compliance Labelling.



The specific patents that cover Crestron products are listed at patents.crestron.com.

Crestron and the Crestron logo are either trademarks or registered trademarks of Crestron Electronics, Inc. in the United States and/or other countries. Other trademarks, registered trademarks and trade names may be used in this document to refer to either the entities claiming the marks and names or their products. Crestron disclaims any proprietary interest in the marks and names of others.

©2012 Crestron Electronics, Inc.

Contents

Universal Wall Mount Kit for TPMC-4SM(D) & TPCS-4SM(D): WMKU-4SM	1
Introduction	1
Setup	3
Supplied Hardware	3
Installation	4
Resources	9
Further Inquiries	9
Future Updates	9
Return and Warranty Policies	10
Merchandise Returns / Repair Service	10
Crestron Limited Warranty	10

Universal Wall Mount Kit for TPMC-4SM(D) & TPCS-4SM(D): WMKU-4SM

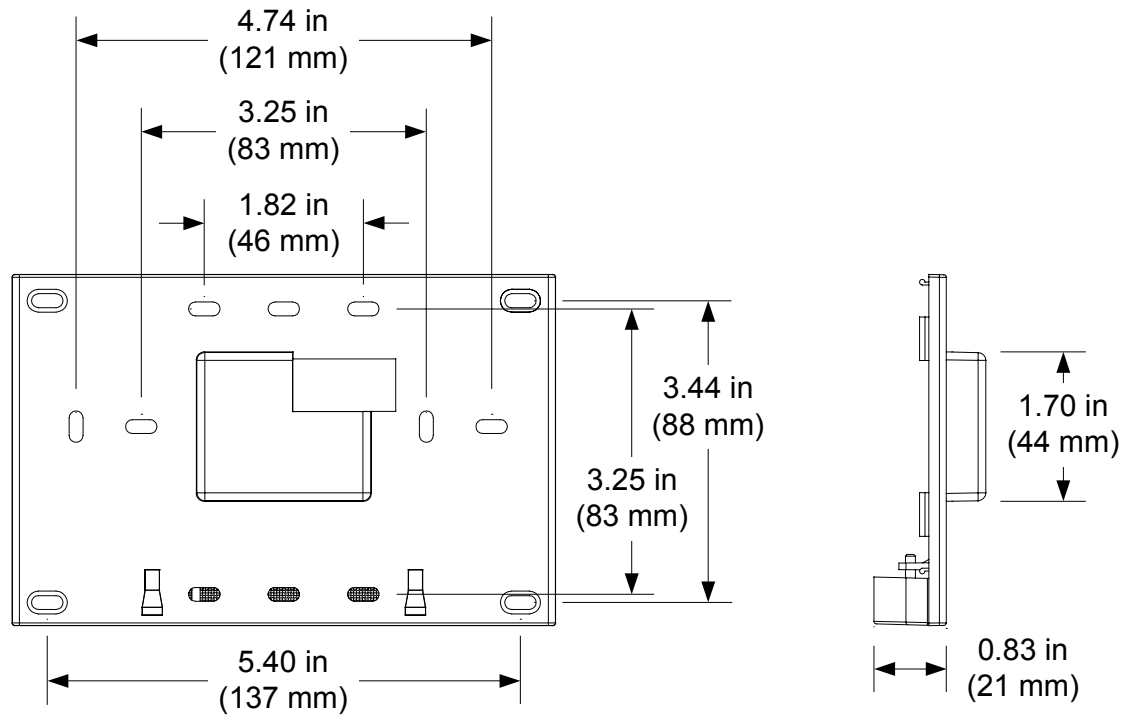
Introduction

The Crestron[®] WMKU-4SM expands the mounting options available for a TPMC-4SM or TPMC-4SMD Touch Screen. It is also compatible with TPCS-4SM and TPCS-4SMD Touch Screen Control Systems. It enables installation of the touch screen device over a 1-gang or 2-gang electrical box* or a 2-gang UK (BS 4662) electrical box. It can also be used to surface mount the touch screen without a box, requiring just a small cutout.*

Minimal impact is made to the touch screen's thin profile and contoured appearance. Using the WMKU-4SM, the touch screen protrudes less than 7/8" (21 mm) from the wall surface and overall height is increased slightly to 4 inches (102 mm).

* Requires a minimum opening of 1.7" (44 mm) high x 2.0" (51 mm) wide.

WMKU-4SM Overall Dimensions



Setup

Supplied Hardware

The hardware supplied with the WMKU-4SM is listed in the following table.

Supplied Hardware for the WMKU-4SM

DESCRIPTION	PART NUMBER	QUANTITY
Plastic Enclosure, Black ¹	2028284	1
Plastic Enclosure, White ²	2028283	1
Screw, #04-40 x 3/4", Flat, Phil, Black ¹	2029111	2
Screw, #04-40 x 3/4", Flat, Phil, Zinc ²	2029110	2
Screw, #04-40 x 3/4", Flat, Phil, Torx, Black ¹	2029108	2
Screw, #04-40 x 3/4", Flat, Phil, Torx, Zinc ²	2029112	2
Screw, #06-32 x 1 1/2", Flat, Phil, Zinc	2031703	4
Screw, #M3.5 x 25 mm, Pan, Phil, Zinc	2028659	2

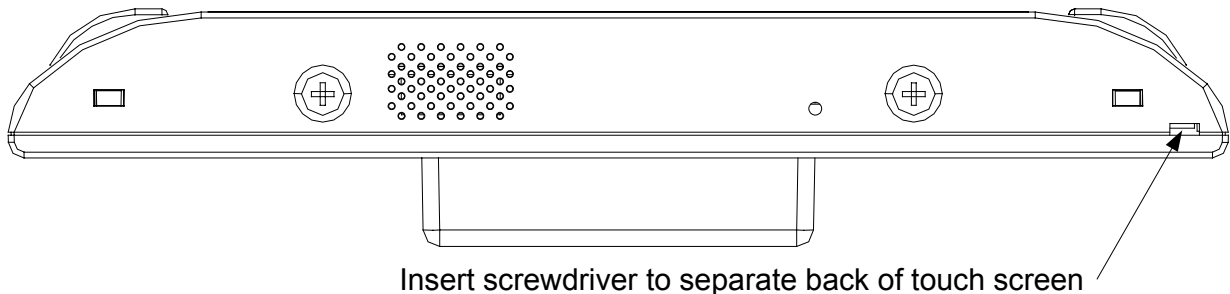
1. This part comes with WMKU-4SM-B-S (Black).
2. This part comes with WMKU-4SM-W-S (White).

Installation

Complete the following steps to install the WMKU-4SM. Refer to the illustrations that follow this procedure.

1. Insert a small slot head screwdriver into the hole shown in the following illustration and gently separate the back of the touch screen.

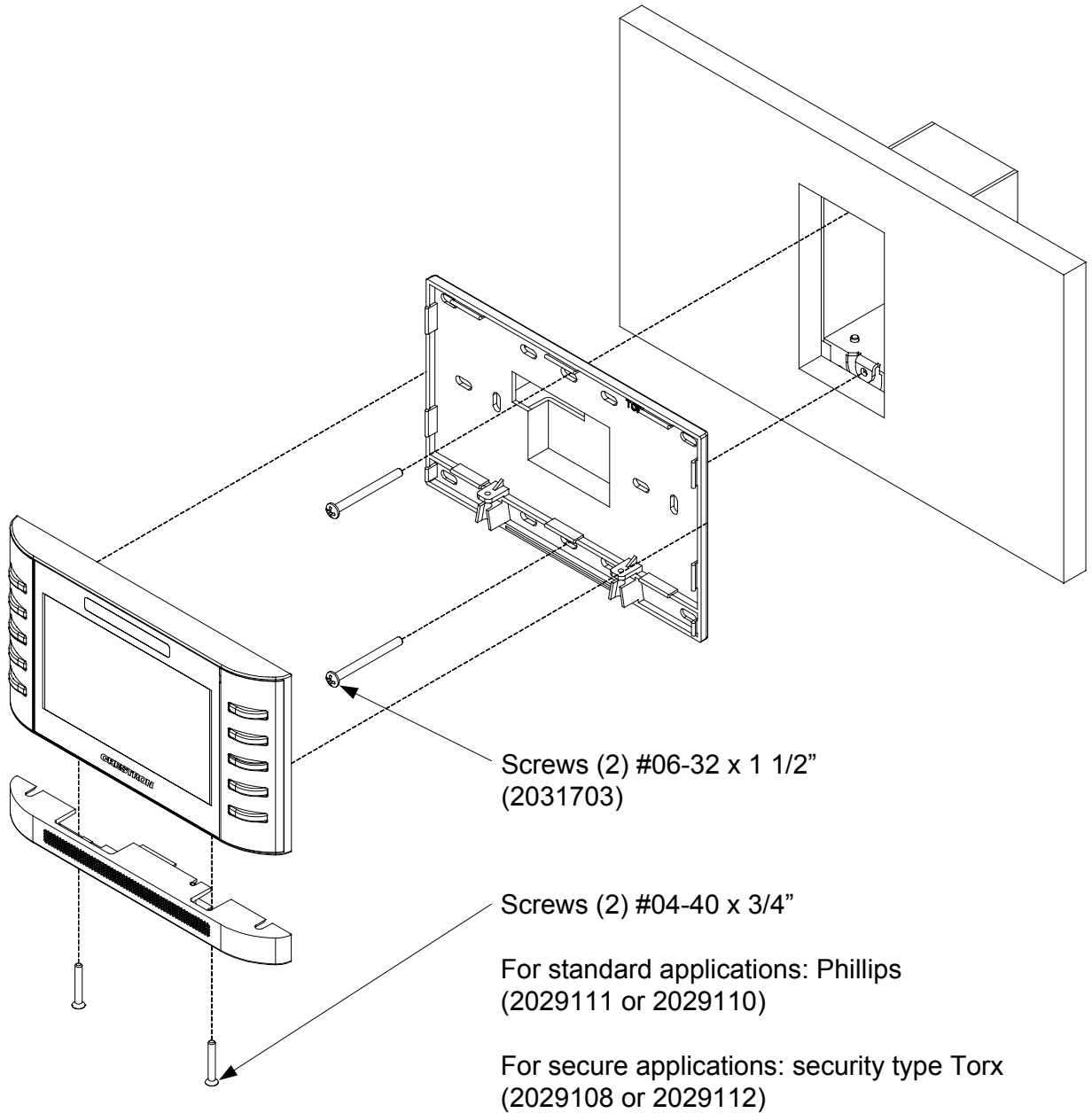
Insert Point for Separation of Back Panel



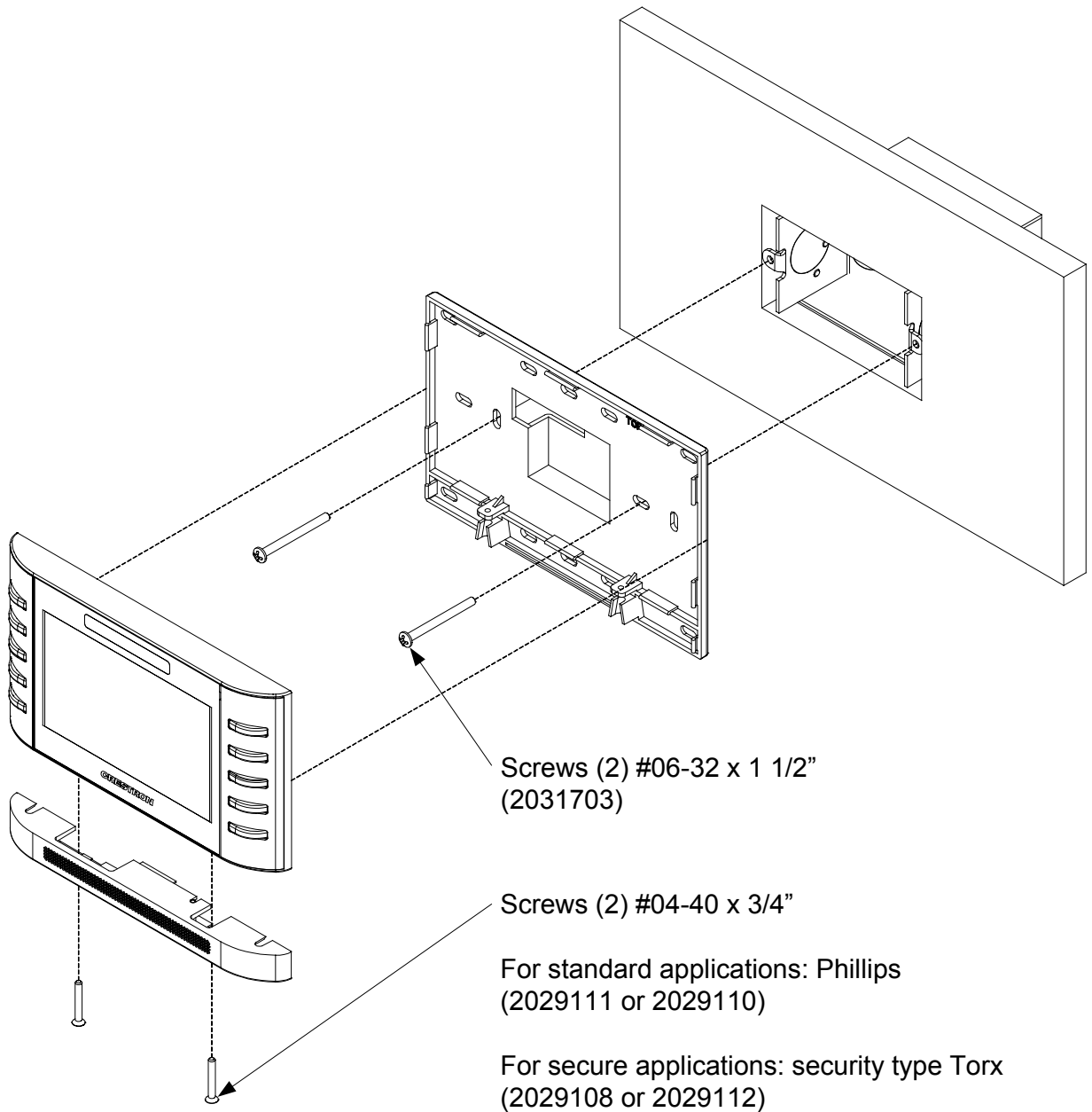
2. Use the included screws to attach the WMKU-4SM to the electrical box. Use two screws for 1-gang electrical boxes; use four screws for 2-gang electrical boxes.
 - a. For 1-gang U.S. electrical boxes, use two of the included #06-32 x 1 1/2" screws. For 2-gang U.S. electrical boxes, use all four of the included #06-32 x 1 1/2" screws.
 - b. For 2-gang European electrical boxes, use the two included #M3.5 x 25 mm screws.
3. Carefully position the front of the touch screen over the WMKU-4SM and gently snap it into place.
4. Use two of the #04-40 x 3/4" screws that came with the touch screen to attach the plastic enclosure (the bottom section with the speaker grill) and secure the touch screen.
 - a. For standard applications, use the Phillips screws.
 - b. For secure applications, use the security type Torx screws along with the Torx screwdriver bit included with the touch screen.

NOTE: Parts 2029111 and 2029108 come with black models. Parts 2029110 and 2029112 come with white modes.

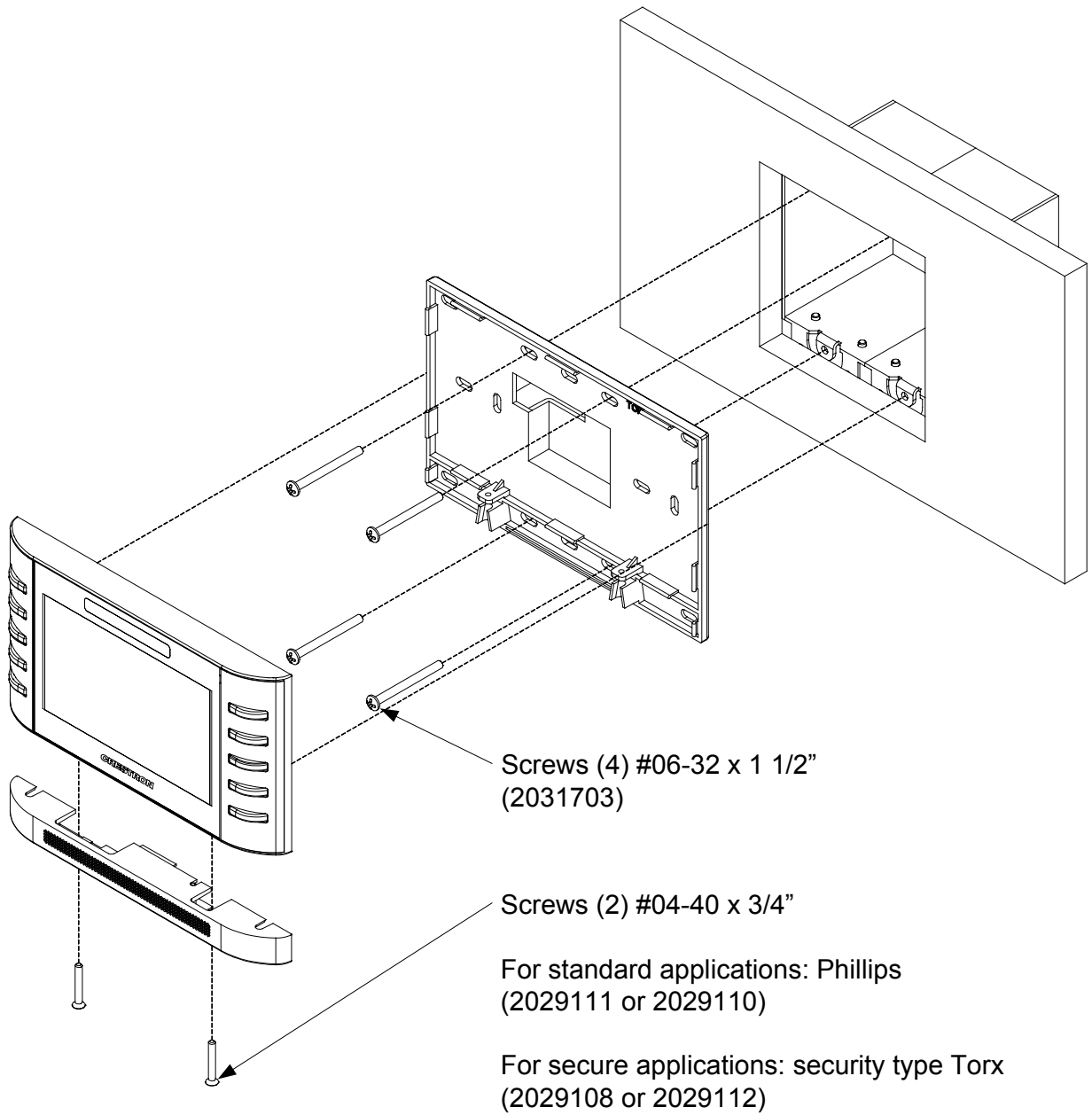
Mounting in a Vertically Installed 1-Gang Electrical Box



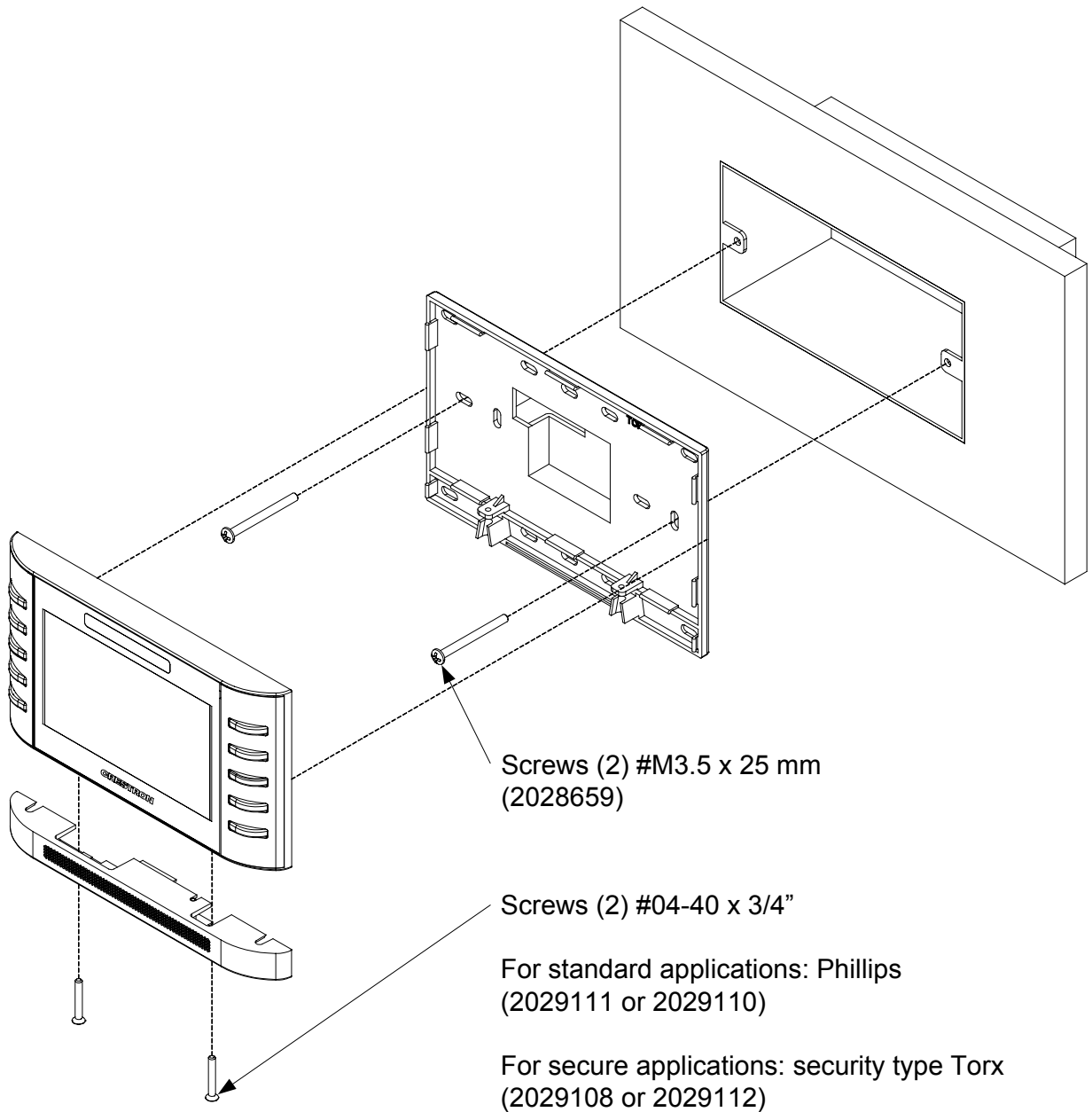
Mounting in a Horizontally Installed 1-Gang Electrical Box



Mounting in a 2-Gang Electrical Box



Mounting in a 2-Gang European Electrical Box



Resources

Further Inquiries

To locate specific information or resolve questions after reviewing this guide, contact Crestron's True Blue Support at 1-888-CRESTRON [1-888-273-7876] or refer to the listing of Crestron worldwide offices on the Crestron Web site (www.crestron.com/offices) for assistance within a particular geographic region.

To post a question about Crestron products, log onto the Online Help section of the Crestron Web site (www.crestron.com/onlinehelp).

First-time users must establish a user account to fully benefit from all available features.

Future Updates

As Crestron improves functions, adds new features and extends the capabilities of the WMKU-4SM, additional information may be made available as manual updates. These updates are solely electronic and serve as intermediary supplements prior to the release of a complete technical documentation revision.

Check the Crestron Web site periodically for manual update availability and its relevance. Updates are identified as an “Addendum” in the Download column.

Return and Warranty Policies

Merchandise Returns / Repair Service

1. No merchandise may be returned for credit, exchange or service without prior authorization from Crestron. To obtain warranty service for Crestron products, contact an authorized Crestron dealer. Only authorized Crestron dealers may contact the factory and request an RMA (Return Merchandise Authorization) number. Enclose a note specifying the nature of the problem, name and phone number of contact person, RMA number and return address.
2. Products may be returned for credit, exchange or service with a Crestron Return Merchandise Authorization (RMA) number. Authorized returns must be shipped freight prepaid to Crestron, 6 Volvo Drive, Rockleigh, N.J. or its authorized subsidiaries, with RMA number clearly marked on the outside of all cartons. Shipments arriving freight collect or without an RMA number shall be subject to refusal. Crestron reserves the right in its sole and absolute discretion to charge a 15% restocking fee plus shipping costs on any products returned with an RMA.
3. Return freight charges following repair of items under warranty shall be paid by Crestron, shipping by standard ground carrier. In the event repairs are found to be non-warranty, return freight costs shall be paid by the purchaser.

Crestron Limited Warranty

Crestron Electronics, Inc. warrants its products to be free from manufacturing defects in materials and workmanship under normal use for a period of three (3) years from the date of purchase from Crestron, with the following exceptions: disk drives and any other moving or rotating mechanical parts, pan/tilt heads and power supplies are covered for a period of one (1) year; touch screen display and overlay components are covered for 90 days; batteries and incandescent lamps are not covered.

This warranty extends to products purchased directly from Crestron or an authorized Crestron dealer. Purchasers should inquire of the dealer regarding the nature and extent of the dealer's warranty, if any.

Crestron shall not be liable to honor the terms of this warranty if the product has been used in any application other than that for which it was intended or if it has been subjected to misuse, accidental damage, modification or improper installation procedures. Furthermore, this warranty does not cover any product that has had the serial number altered, defaced or removed.

This warranty shall be the sole and exclusive remedy to the original purchaser. In no event shall Crestron be liable for incidental or consequential damages of any kind (property or economic damages inclusive) arising from the sale or use of this equipment. Crestron is not liable for any claim made by a third party or made by the purchaser for a third party.

Crestron shall, at its option, repair or replace any product found defective, without charge for parts or labor. Repaired or replaced equipment and parts supplied under this warranty shall be covered only by the unexpired portion of the warranty.

Except as expressly set forth in this warranty, Crestron makes no other warranties, expressed or implied, nor authorizes any other party to offer any warranty, including any implied warranties of merchantability or fitness for a particular purpose. Any implied warranties that may be imposed by law are limited to the terms of this limited warranty. This warranty statement supersedes all previous warranties.

This page is intentionally left blank.



Crestron Electronics, Inc.
15 Volvo Drive Rockleigh, NJ 07647
Tel: 888.CRESTRON
Fax: 201.767.7576
www.crestron.com

Installation Guide – DOC. 6978C
(2027425)

09.12

Specifications subject to
change without notice.