

ASPIRE_IWS82

Aspire® In-Wall Subwoofer

The product of expert Crestron® audio engineering, Aspire® speakers deliver high-end performance for demanding residential installations. Select materials and a refined appearance underscore the meticulous design behind each model. The result is a complete line of in-wall and in-ceiling speakers worthy of a place in every room of the finest custom home.

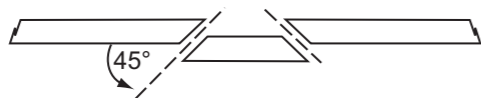


1 Installation

Prepare Mounting Holes

Before finalizing the speaker location, check to make sure there are no fixtures, pipes, air ducts, joists, or other possible obstructions. Use a good quality stud finder to locate joists. If there is no access to the area behind the wall and it is uncertain that there are no obstructions, carefully drill a small hole just through the wall near the middle of the proposed speaker location(s), and use one of the following methods to identify obstructions:

- Use one of the commercially available inspection devices designed for this purpose,
- Use a piece of stiff wire, bent into an “L” shape, with one end long enough to explore an area equal to the size of the speaker with the toggle clamps extended. Insert the wire into the hole. Make sure it rotates freely in a complete circle and that there is sufficient depth.
- Use a drywall saw to cut a small hole at a 45° angle toward the inside of the hole. An angle cut simplifies repair since the removed piece can be reinserted to help plug the hole.



If there are no obstructions, use the supplied template to trace outlines of the mounting holes on the wall. Cut the final mounting holes at a 90° angle to the wall.



Paint the Speaker Grilles

Speaker grille painting should be done prior to mounting.

1. Carefully remove the material on the underside of the grilles and set them aside for reinstallation. It may be necessary to use a knife or other sharp instrument to free an edge of the material so it can be peeled away. Use care to avoid cutting or tearing the material.
2. Dry brush or lightly spray the surface to be painted. Use care to avoid clogging the holes in the grilles.
3. Once the paint is dry, reinstall the material to the underside of the grilles.

Install Cables

Run the cables from the audio source to each speaker location following all appropriate local codes. Strip the ends of the speaker cable wires 1/4 in to 1/2 in (6 mm to 12 mm) and twist the exposed strands.

Mount and Remove Speakers

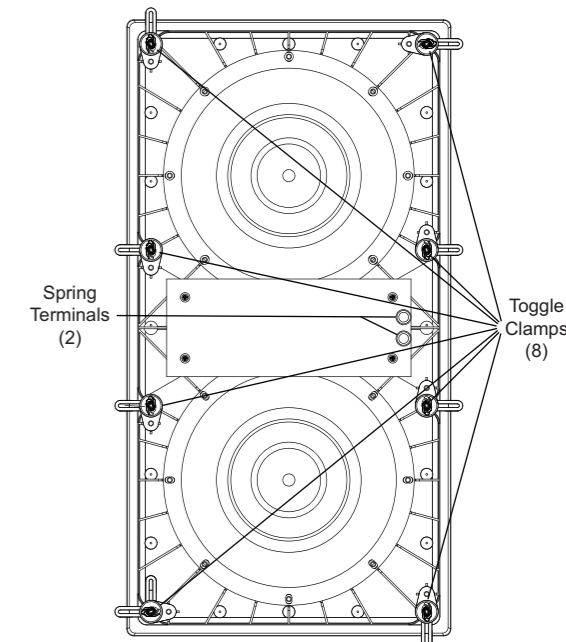
The in-wall speakers include six toggle clamps that simplify the mounting process. If the grilles are mounted on the speakers, remove them before proceeding. (Refer to “Install and Remove Grilles” below.)

1. Connect the speaker cable wires to the spring terminals by pressing the top of the terminals down and inserting the exposed strands into the hole. Make sure that the + wires go to the + (red coded) terminals, and the – wires go to the – (black coded) terminals.
2. With the toggle clamps turned inward, insert the speaker into the opening. As the eight screws on the front of the speaker are tightened, the toggle clamps first rotate into clamping position and then begin holding the speaker to the wall. Tighten the screws until the speaker is secured; do not overtighten. Refer to the figures to the right for details.
3. Remove the speakers by reversing the procedures in steps 1 and 2 above.
 - a. Loosen the front screws to unclamp the speaker. Continue to loosen the screws until the toggle clamps rotate inward.
 - b. When the speaker is loose, carefully remove it from the opening.
 - c. Disconnect the wires from the terminals.

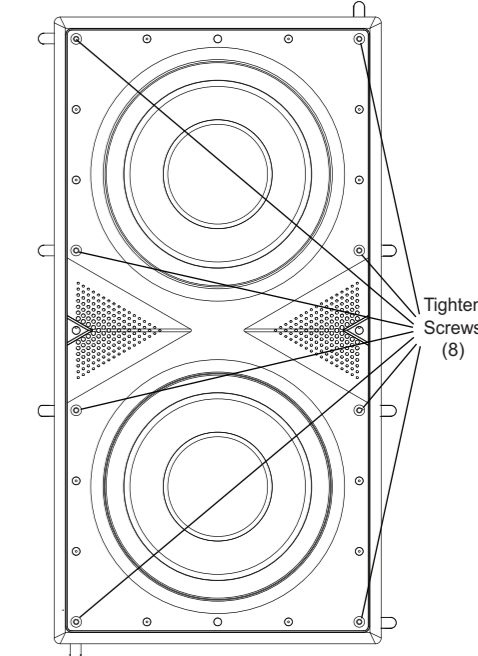
Install and Remove Grilles

The zero-bezel frameless grilles are held in place by powerful magnets. To remove the grilles, grip the edges and pull away from the speaker.

Rear View (Typical)



Front View (Typical)



ASPIRE_IWS82

Aspire® In-Wall Subwoofer

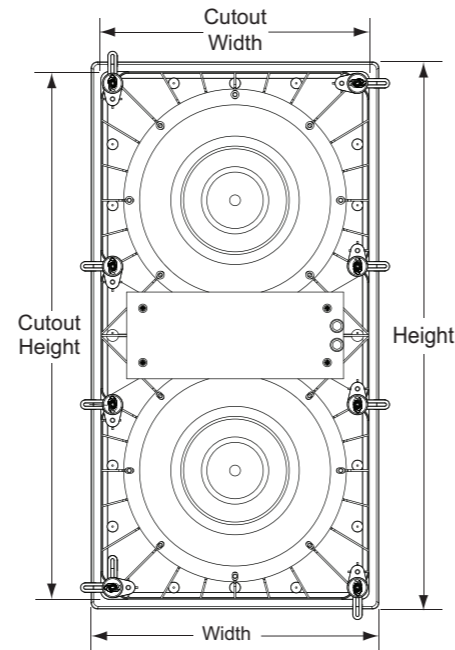
2 Specifications

ASPIRE_IWS82 Specifications

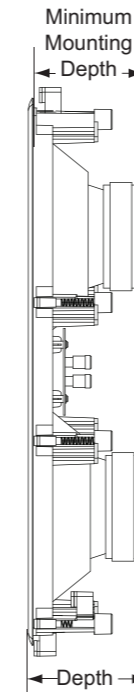
SPECIFICATION	ASPIRE_IWS82
Features and Performance	
Woofer	(2) 8.00 in (203 mm)*
Low-Pass Filter	120 Hz second order
Crossover Frequency	150 Hz
Impedance	8 ohm nominal
Frequency Response	40 Hz to 120 Hz (±3 dB)
Frequency Range	32 Hz to 120 Hz (-10 dB)
Power Handling	200 watts program
Sensitivity	89 dB @ 1 W/ 1 m
Connections	
Input	(2) spring terminals
Maximum Wire Size	10 AWG
Environmental	
Temperature	41° to 104° F (5° to 40° C)
Humidity	10% to 90% RH (non-condensing); For indoor use only
Construction	
Baffle	ABS plastic, black
Grille	Steel with white textured finish, paintable, magnetically-held zero bezel frameless design
Mounting	Flush wall mount using eight integral spring-loaded toggle clamps, 1.35 in (34 mm) maximum surface thickness
Dimensions	
Height	19.87 in (505 mm)
Width	10.45 in (266 mm)
Depth	4.30 in (110 mm)
Minimum Mounting Depth	4.13 in (105 mm)
Recommended Cutout Size	19.20 in (488 mm) high, 9.80 in (249 mm) wide
Weight	10.5 lb (4.8 kg)
Available Model	
ASPIRE_IWS82-W-T	Aspire 8 Inch 2-Way In-Wall Speakers, Each, White Textured

* Woven poly-glass composite with rubber surround, 8-layer voice coils, and steel basket

Rear View With Measurement Points



Side View With Measurement Points



3 Problem Solving Troubleshooting

The following table provides corrective action for possible trouble situations. If further assistance is required, please contact a Crestron customer service representative.

TROUBLE	POSSIBLE CAUSE(S)	CORRECTIVE ACTION
There is either no sound or the sound from the speakers is intermittent.	There is a cable connection error.	Verify the cable connections between the amplifier and speakers.
	The amplifier is not receiving an input signal or there is an amplifier malfunction.	Verify that the amplifier is functioning correctly, that it is receiving an input signal, and that the correct input source is selected.
Constant noise such as buzzing, humming, or hissing is coming from the speakers.	There is a faulty device in the system.	Verify that all devices in the system are functioning properly.
	There is a system grounding fault.	Verify the system grounding connection.
The low frequency output is poor.	There are incorrect polarity connections at the speaker.	Verify speaker connection polarity (+ on speaker to + on amplifier).

Further Inquiries

To locate specific information or resolve questions after reviewing this guide, contact Crestron's True Blue Support at 1-888-CRESTRON [1-888-273-7876] or, for assistance within a particular geographic region, refer to the listing of Crestron worldwide offices at www.crestron.com/offices.

To post a question about Crestron products, log onto Crestron's Online Help at www.crestron.com/onlinehelp. First-time users must establish a user account to fully benefit from all available features.

Future Updates

As Crestron improves functions, adds new features, and extends the capabilities of the ASPIRE_IWS82 speakers, additional information may be made available as manual updates. These updates are solely electronic and serve as intermediary supplements prior to the release of a complete technical documentation revision.

Check the Crestron website periodically for manual update availability and its relevance. Updates are identified as an "Addendum" in the Download column.

The specific patents that cover Crestron products are listed at patents.crestron.com.

Crestron, the Crestron logo, and Aspire are trademarks or registered trademarks of Crestron Electronics, Inc. in the United States and/or other countries. Other trademarks, registered trademarks, and trade names may be used in this document to refer to either the entities claiming the marks and names or their products. Crestron disclaims any proprietary interest in the marks and names of others. *Crestron is not responsible for errors in typography or photography.*

This document was written by the Technical Publications department at Crestron.
©2014 Crestron Electronics, Inc.