

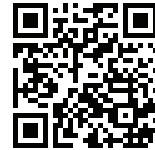


Description

The Crestron® QMT®5 Series couplers allow a single motor to drive multiple shades when an opening is too large for a single shade to span the width. Refer to the CSA-ARCH5-BRKT (Doc. 7801), CSA-ARCH5-BRKT-DUAL (Doc. 7803), or CSA-DECOR5-BRKT (Doc. 7802) Installation Guide for additional installation details.

Additional Resources

Visit the product page on the Crestron website (www.crestron.com) for additional information and the latest firmware updates. Use a QR reader application on your mobile device to scan the QR image.



Mount the Coupler Bracket

CAUTION: There is risk of personal injury and equipment damage if the shade or associated parts fall during installation. Use care when installing. Use proper mounting hardware (e.g., screws or bolts) for the mounting surface when securing the brackets to the surface.

CAUTION: Proper installation of shades requires two or more people. Large shades and medium-sized coupled shades will require three people.

NOTE: The screws provided with the mounting brackets are intended for use on walls (or jambs) with wood or metal blocking. These screws should not be used for hollow drywall or masonry installations. It is the responsibility of the installer to ensure that the mounting method used is secure.

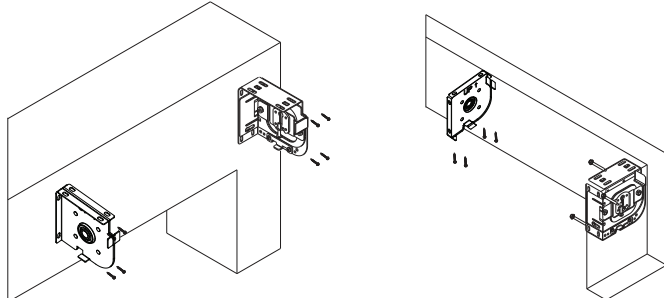
NOTE: Ensure that all mounting brackets are level and on the same plane. Use a laser level, or snap a chalk line, to mark the locations of the brackets.

To install the coupler bracket, place the bracket exactly centered on the band-to-band dimension that is indicated on the order form, and secure it using the supplied mounting screws.

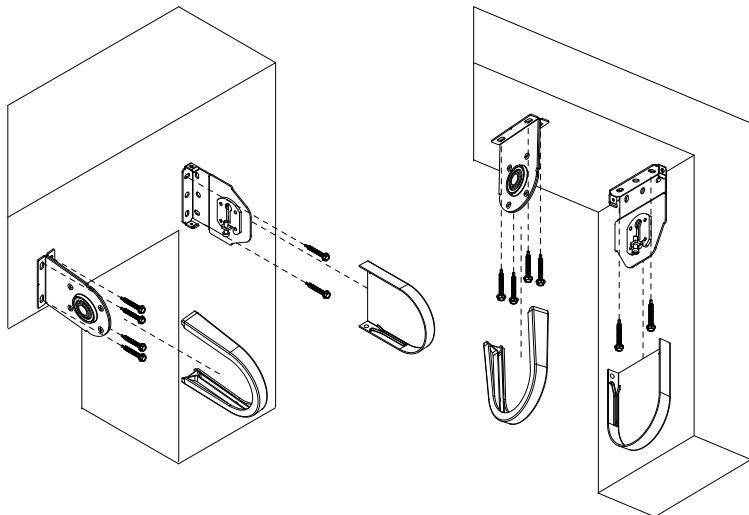
NOTE: All shades must be aligned along a single axis (no off-angle positioning).

NOTE: The system may be configured to operate from the left or right side, and may be regular or reverse roll. See the Installation Guide for details.

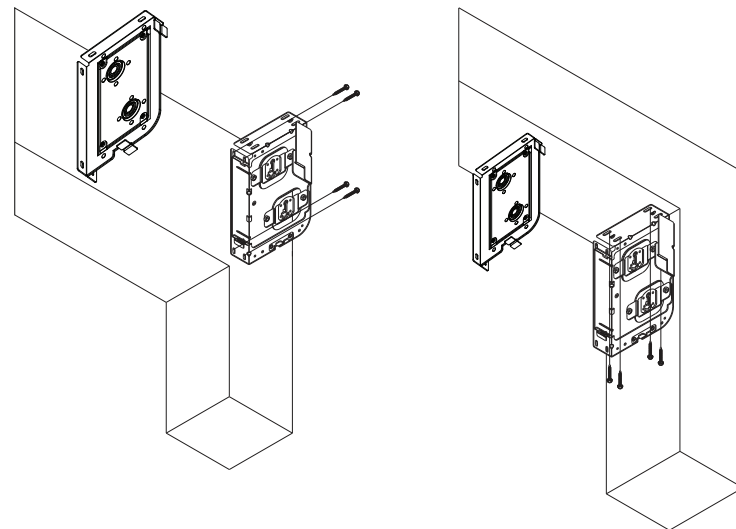
CSA-ARCH5-BRKT-CPLR Installation-Outside and Inside Mount Shown



CSA-DECOR5-BRKT-CPLR Installation-Outside and Inside Mount Shown



CSA-ARCH5-BRKT-DUAL-CPLR Installation-Outside and Inside Mount Shown



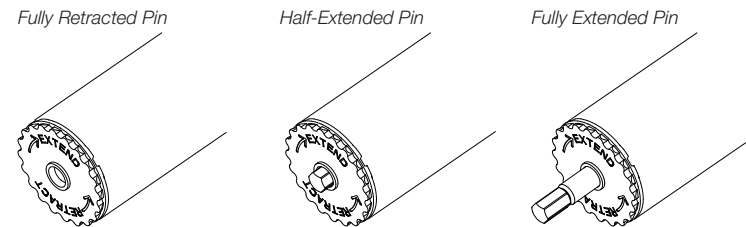
Mount the Roller Shade Assembly

A coupled roller shade assembly consists of two or more roller shade assemblies (bands) that interlock and secure each other. The bands are supported using a coupler bracket. There is a motor band, an idler band, and (optionally) one or more intermediate bands.

- The motor band has a retractable pin on one side and the motor on the other.
- The intermediate band has a retractable pin on one side and a hole in the other end that accepts a retractable pin.
- The idler band has an idler pin on one side and a hole in the other end that accepts a retractable pin.

The retractable pin traverses the bearing in the coupler bracket, which provides support for the adjoining bands. The pin, when fully inserted into the next band, provides control to the attached band.

The retractable pin is adjusted by rotating the ring marked EXTEND and RETRACT. Use the spanner wrench to rotate the ring. The retractable pin has detents that allow it to be adjusted to three predetermined positions.

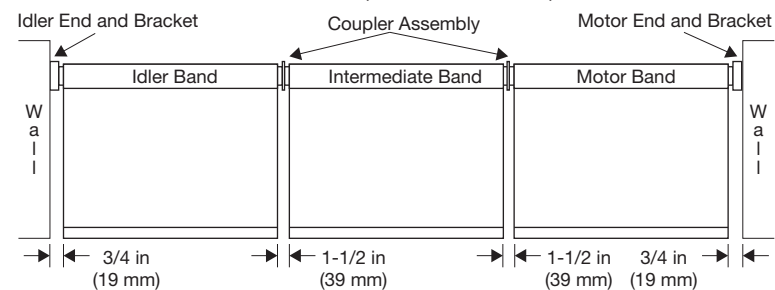


Install the Coupled Shades

NOTE: Coupled shades require two or more people for installation: one person to raise and install each shade.

NOTE: During the installation of coupled shades, the fabric does not need to be level. The fabric is leveled after installation. Leveling the fabric is easier if all of the fabric is close in location.

Refer to the illustration below for an example of an installed coupled shade.

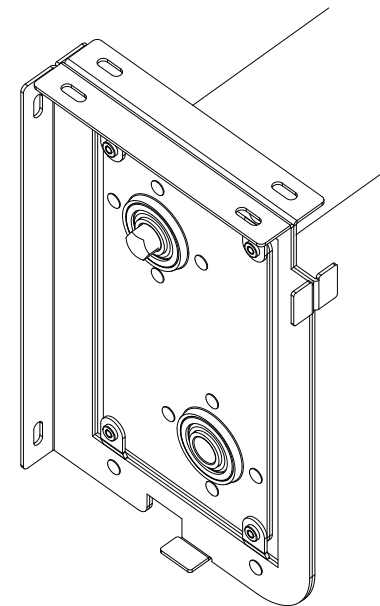


Install the coupled shades.

1. Use the spanner wrench to extend the pin on the motor band to the half-extended position.
2. Ensure that the bushing is oriented vertically to receive the pin, and then slide the half-extended pin into the bushing.

NOTE: When installing shades into the CSA-ARCH5-BRKT-DUAL-CPLR, install the shade into the top position first.

Pin Inserted into Coupler Bracket-CSA-ARCH5-BRKT-DUAL-CPLR Shown.

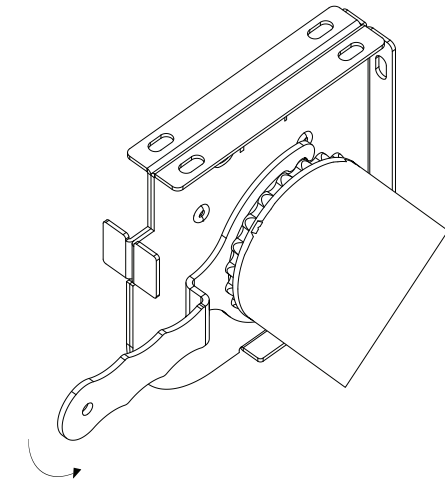


3. Raise the motor end and secure it to the motor bracket. Refer to "Mount the Roller Shade Assembly" in the shades Installation Guide for details.
4. Install the next band.
 - Insert the half-extended retractable pin into the next coupler.
 - or
 - Insert the idler band's idler pin into the idler bracket.
5. Raise the idler or intermediate band and align it with the coupler.

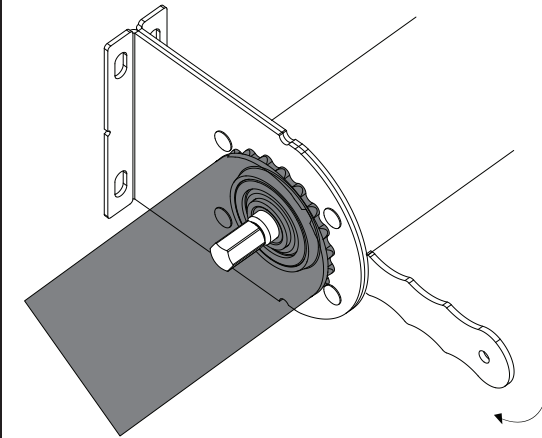
6. Use the spanner wrench to extend the pin so that it fully inserts into the next band. To ensure that the pin engages fully into the mating band, lightly lift the two bands upwards to relieve the weight on the pin so it can slide fully into the hole. This requires two people. The idler or intermediate band might need to be rotated to allow the pin to properly enter the band. Once the pin is fully inserted, check to see that the white shoulder of the pin is visible on the idler or intermediate band side of the coupler. The idler or intermediate band should not be able to rotate once the pin is fully extended.

NOTE: When installing shades into the CSA-ARCH5-BRKT-DUAL-CPLR, install the shade into the top position first. The spanner wrench cannot access the upper shades for adjustment once the lower shades are installed. Once the top shade is fully installed, perform the procedure in the "Level the Shades" section before installing the lower shades.

Extend the Pin Through the Coupler-CSA-ARCH5-BRKT-CPLR Shown.



Pin Extended Through Coupler into Idler or Intermediate Band-CSA-DECOR5-BRKT-CPLR Shown



Level the Shades

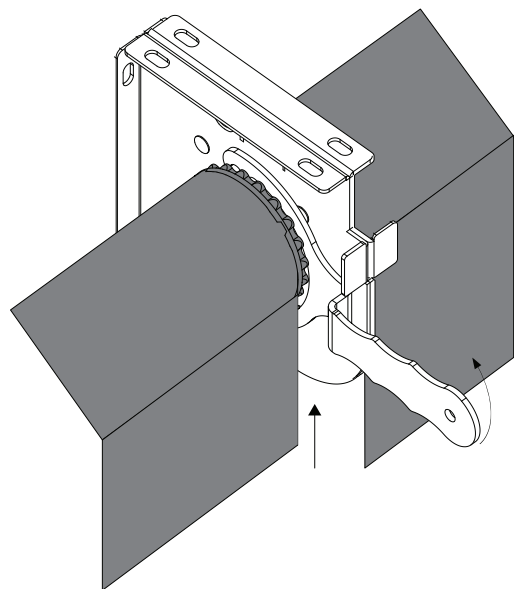
The shades are leveled by rotating the ring on the idler or intermediate band. To properly level the fabric, raise the fabric above the adjacent fabric and then lower into place.

NOTE: Leveling must be performed with the bottom of the shade fabric at eye level.

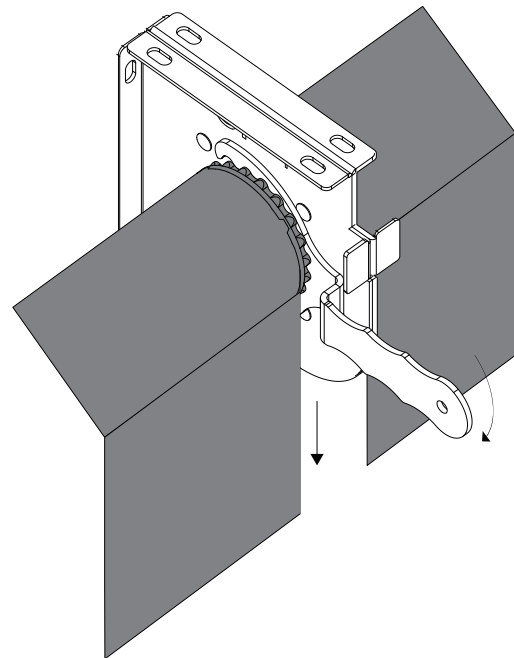
NOTE: After the fabric has been leveled, the shades must be run through their full length of travel two times to allow for the fabric to settle on the tube. Verify that the fabric is still level, and repeat the procedure if necessary.

1. Hold the drive band stationary.
2. Use the spanner wrench on the idler band, or the first intermediate band next to the motor band, and rotate the ring so that the fabric travels approximately 1 inch (26 mm) above the adjacent fabric.
3. Use the spanner wrench to lower the fabric until it is level with the adjacent fabric.
4. Hold the band that is being leveled stationary with one hand while rotating the locking collar in the opposite direction of raising the shade until the collar comes to a hard stop. This is necessary to securely lock the shade in place.
5. Run the shades through two full close and open cycles to allow the fabric to settle on the tube.
6. Verify that the fabric is level. If it is not, repeat steps 1 and 2 until the fabric is level.
7. Complete the shade installation procedure defined in its Installation Guide.

Raise the Fabric Above the Adjacent Fabric.



Lower the Fabric so that it is Level with the Adjacent Fabric.



As of the date of manufacture, the CSA-ARCH5-BRKT-CPLR, CSA-ARCH5-BRKT-DUAL-CPLR, and CSA-DECOR5-BRKT-CPLR have been tested and found to comply with specifications for CE marking.



The product warranty can be found at www.crestron.com/warranty.

The specific patents that cover Crestron products are listed at patents.crestron.com.

Certain Crestron products contain open source software. For specific information, please visit www.crestron.com/opensource.

Crestron, the Crestron logo, and QMT are either trademarks or registered trademarks of Crestron Electronics, Inc. in the United States and/or other countries. Other trademarks, registered trademarks, and trade names may be used in this document to refer to either the entities claiming the marks and names or their products. Crestron disclaims any proprietary interest in the marks and names of others. Crestron is not responsible for errors in typography or photography.

This document was written by the Technical Publications department at Crestron.

©2016 Crestron Electronics, Inc.

Crestron Electronics, Inc.
15 Volvo Drive Rockleigh, NJ 07647
Tel: 888.CRESTRON
Fax: 201.767.7576
www.crestron.com

Installation Guide - DOC. 7582B

(2045378)

04.16

Specifications subject to
change without notice.