

GLA-IS-240-120B by Steinel

Wall Mount Outdoor Occupancy Sensor



Item No.	black
Voltage	120 VAC, 60 Hz
Maximum Wattage	0-600 watt tungsten, 0-300 watt ballast
Sensing Technology	passive infrared (PIR)
Time Delay Setting	10 seconds to 15 minutes
Mounting	wall
Light Level Setting	.2-200 footcandles 2-2000 lux
Environment	IP54 raintight rated, -4°F to +122°F, -20°C to +50°C
Coverage	240° up to 40 ft reach (12.2 m)
Sensors	2 dual element infrared pyroelectric detectors
Lens Design	304 switching zones, 9 levels
Dimensions (LxWxD)	3.75 x 2.33 x 3.33 in 95.25 x 59.2 x 84.6 mm
Warranty	5 years
Certifications	C-UL-US Listed, RoHS Compliant

The STEINEL IS 240-120 occupancy sensor is intended for vertical mounting to any 1/2" threaded cover plate or knockout and is raintight for safe reliable operation indoors and out.

The sensors are passive infrared and respond to heat radiated from moving persons or other heat-emitting objects (such as vehicles). They automatically turn lights on when presence is detected and off when a space is left vacant.

Applications

Interior applications such as corridors, vestibules, garages. Exterior applications such as entryways, carports, balconies and porches.

Key Features:

- 240° coverage with up to 40 ft reach
- 304 switching zones
- Coverage area may be customized with supplied snap-on shrouds and through fine-tune rotation adjustment
- Precision molded lens is distortion free and watertight
- Light level feature allows lighting to remain off during daylight regardless of occupancy
- Automatically adjusts to temperature changes keeping sensitivity and coverage consistent
- Built in surge protection with auto-reset
- Raintight IP54 rated; suitable for interior or exterior use



Voltage



Passive Infrared Technology



240° Coverage



IP54 Raintight Rated



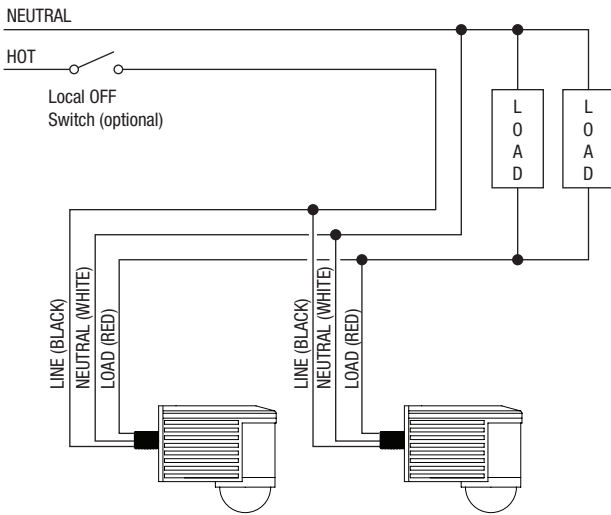
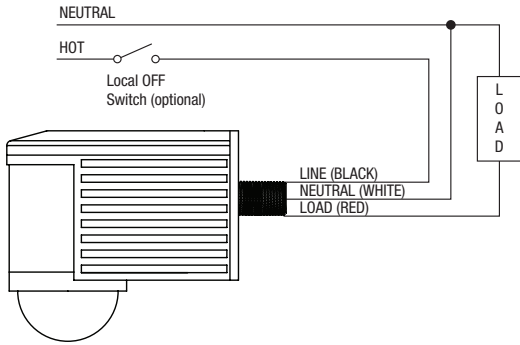
0.2 - 200 fc

GLA-IS-240-120B by Steinel

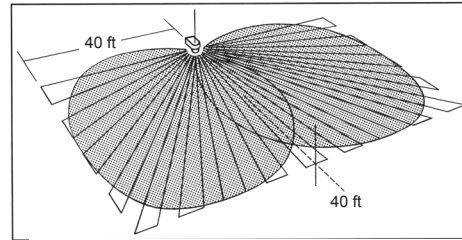
Wall Mount Outdoor Occupancy Sensor



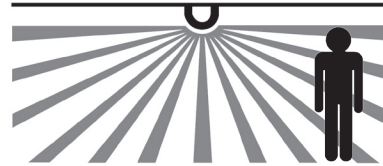
Wiring



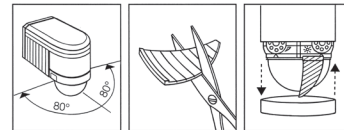
Coverage



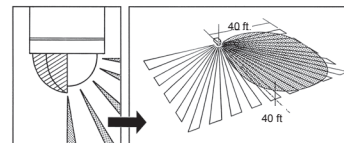
Typical mounting height is 8 to 12 ft



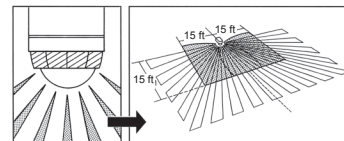
Coverage Adjustment



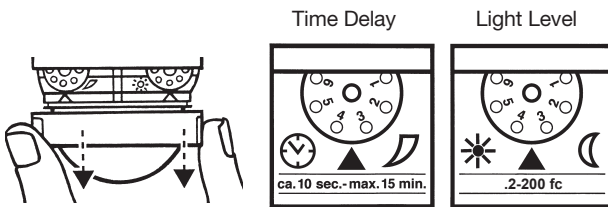
Fine tune coverage adjustment is possible by rotating the sensor housing.



Shrouds, supplied with each unit, snap in place, allowing users to adjust coverage as needed.

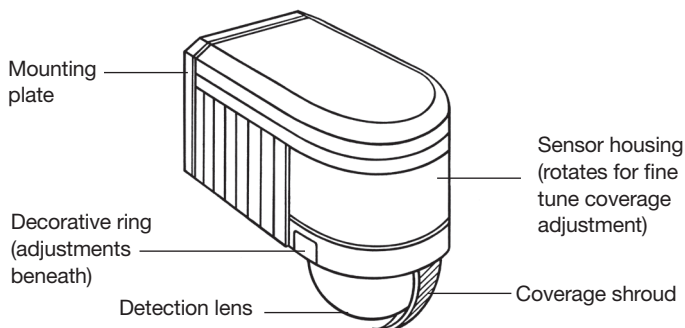


Setting



Thumbdial adjustments for time delay and light level are located beneath the decorative cover

Controls



Mounting

