

FlipTop™ FT2 Series Cable Management System, 500 Size, Electrical

The Crestron® [FT2-500-ELEC](#) FlipTop™ cable management system installs into a table or other horizontal surface to provide modular connectivity. The FT2-500-ELEC series feature a one-touch lid that retracts fully and disappears with the tap of a button. When the lid is retracted, eight module slots are arranged in two rows of four. The flexible modular design may also be customized with an assortment of Crestron accessories. For more information about the accessories, please visit www.crestron.com/Crestron-FlipTops. To configure your FlipTop, launch the [FlipTop Configuration Tool](#).

The FT2-500-ELEC Series features a built in electrical power bus, which enables compatibility with one-touch cable retractors, active connector plates, and USB rapid charging modules. It also enables backlighting of the symbol icons on all retractors, connector plates, and USB charging modules.



In the Box

- 1 FT2-500-ELEC, FlipTop™ FT2 Series Cable Management System, 500 Size, Electrical

Additional Items

- 3 Bars, Locking, with Screws (4528034)
- 1 Cable, DC Power Splitter (2050094)
- 1 Connector, Plug (2003575)
- 1 Holder, Power Supply (2048887)
- 1 Power Cord, 5 ft 10 in. (1.78 m) (2042043)
- 1 Power Pack, 24 VDC, 2.5 A, 100-240 VAC (2045873)
- 1 Template, Cutout (4528039)

FT2-500-ELEC-AL Only

- 1 Bezel, FT2-500, Alloy (4528032)

FT2-500-ELEC-B Only

- 1 Bezel, FT2-500, Black (4528031)

FlipTop™ FT2 Series Cable Management System, 500 Size, Electrical

Mount the FlipTop Assembly

A mounting hole is required for an FT2-500-ELEC installation. Use the included template to cut a mounting hole for new installations. When determining the location for the FT2-500 assembly, consider where users will be seated and their proximity to the FT2-500 assembly's modules and retractors. Refer to the [FT2A-CBLR-1T](#) and [FT2A-CBLR-GR](#) series cable retractors for above-the-table cable pull-out lengths.

Cut the Mounting Hole

A saw and the included cutout template are required to cut the mounting hole.

1. Check the table surface and the area beneath the table. Clear any obstructions that may impede the installation or functionality of the FT2-500 assembly, retractors, and accessories.
2. Using the included cutout template, trace an outline of the mounting hole onto the table.
3. Cut the mounting hole in the table with an appropriate saw.

Secure the FlipTop Assembly

To prepare the FT2-500 assembly and secure it to the table surface:

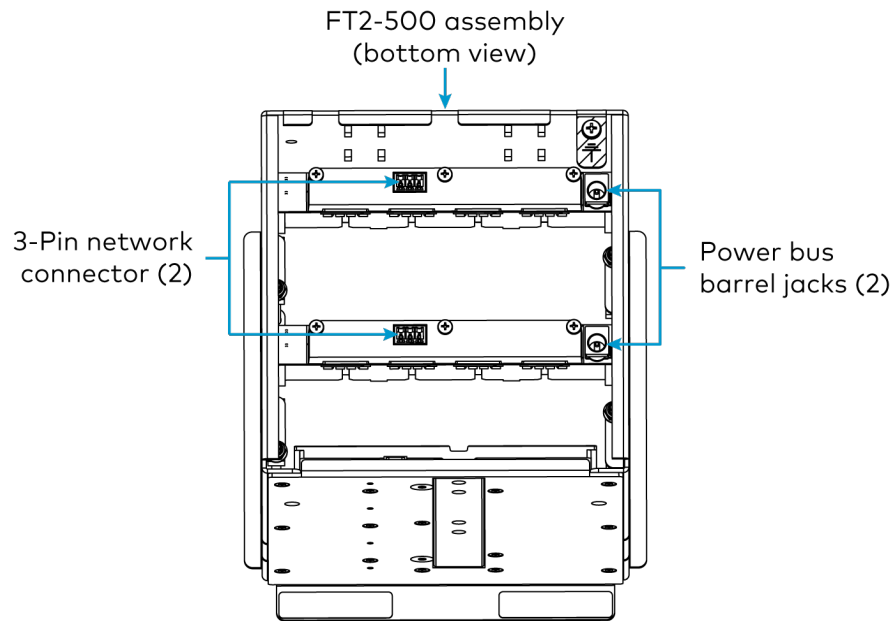
NOTE: Some models may come with the bezel attached, remove the bezel before securing the FT2-500 assembly to the table.

1. Locate the included DC power splitter cable.



FlipTop™ FT2 Series Cable Management System, 500 Size, Electrical

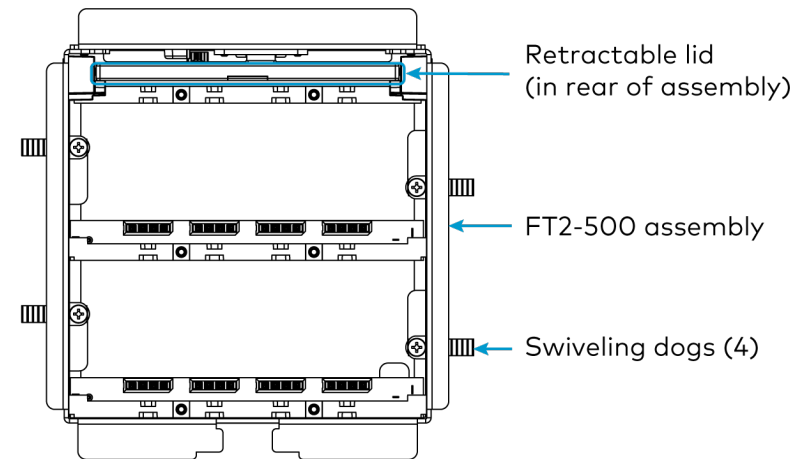
- On the underside of the FT2-500 assembly, locate the power bus and connect the dual-connector ends of the DC power splitter to the two barrel jacks of the power bus. The cable will be accessed later in [Connect and the FT2-500-ELEC](#).



- Ensure that all four swiveling dogs are tucked inside of the FT2-500 assembly, and then insert the FT2-500 assembly into the mounting hole until the top lip is flush with the table surface.

- Carefully tighten the four swiveling dogs in each corner of the FlipTop assembly clockwise until the FT2-500 assembly is secured in place against the table. Do not overtighten the swiveling dogs.

CAUTION: A manual torque screwdriver may be used to hand tighten the swiveling dogs. Set the torque screwdriver to its lowest setting to avoid stripping the swiveling dogs and damaging the table. If removing the FT2-500 assembly from the table, ensure that the screwdriver rotation is set correctly before loosening the swiveling dogs.

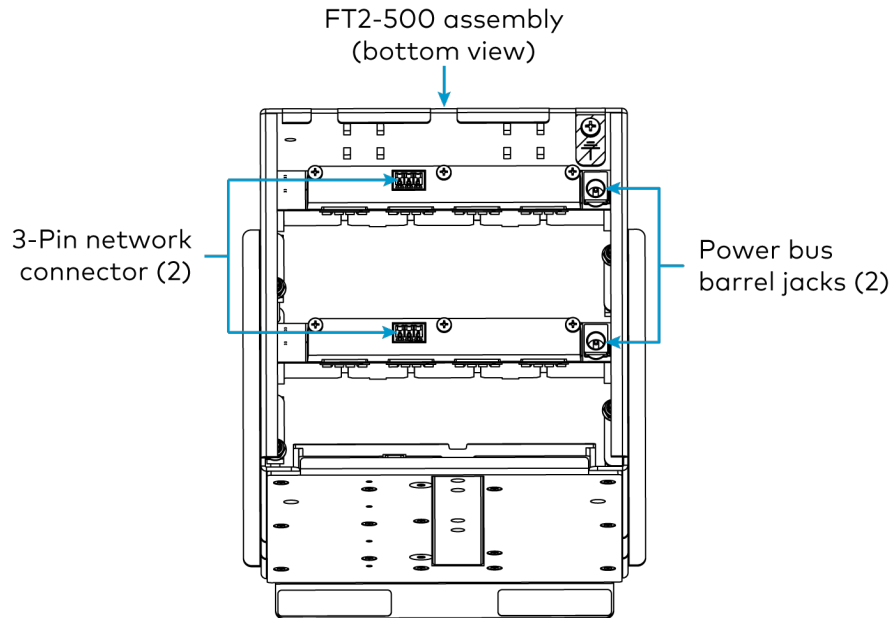


FlipTop™ FT2 Series Cable Management System, 500 Size, Electrical



Connect and the FT2-500-ELEC

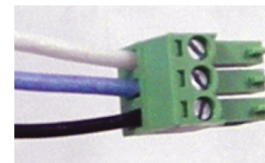
Access the two network connectors and two power bus barrel jacks on the underside of the FlipTop assembly.



Connect the Network

Automate the one-touch retractors by connecting all retractors in a FlipTop to a control system and a switch, or to a DMPS via a single Cresnet® cable. Custom programming can trigger the retractors after five minutes of no video detected.

Connect the FlipTop assembly to a Crestron control system or DMPS3 via the 3-pin connector using standard Cresnet cable. The red power lead is not connected and should be terminated.



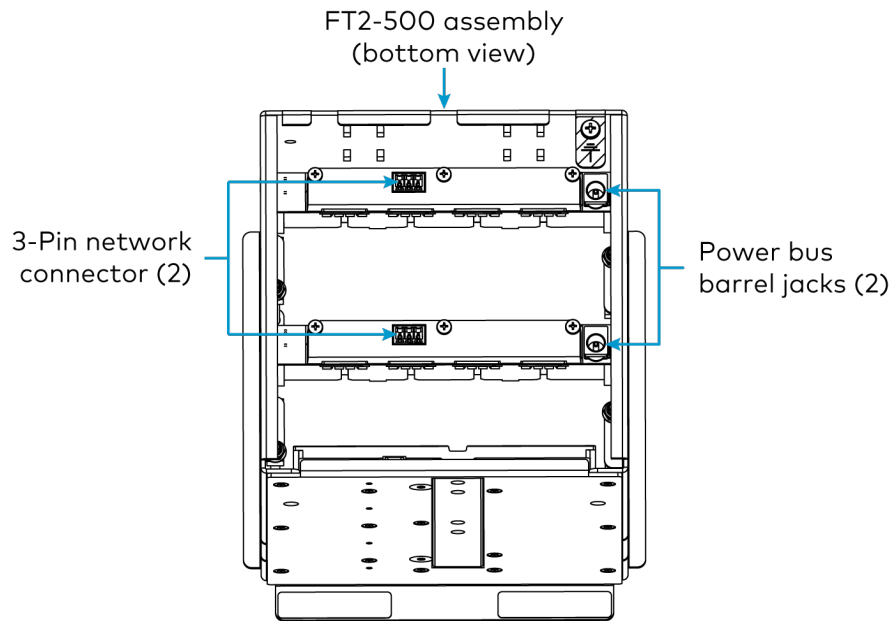
White (Y)
Blue (Z)
Black (G)

Connect and Place the Power Supply

The FT2-500 assembly ships with one 24 VDC power supply that is used to supply power to the power bus in the FT2-500 assembly. There are six possible locations to attach the power supply. Connect the power supply prior to installing any modules.

NOTE: Two power supplies are required if installing two rapid charging modules in the FT2-500 assembly. For more information, refer to the [FT2A-CHGR-USBA-BASIC Quick Start Guide \(Doc. 8423\)](#) or [FT2A-CHGR-USBA/C Installation Guide \(Doc. 8219\)](#).

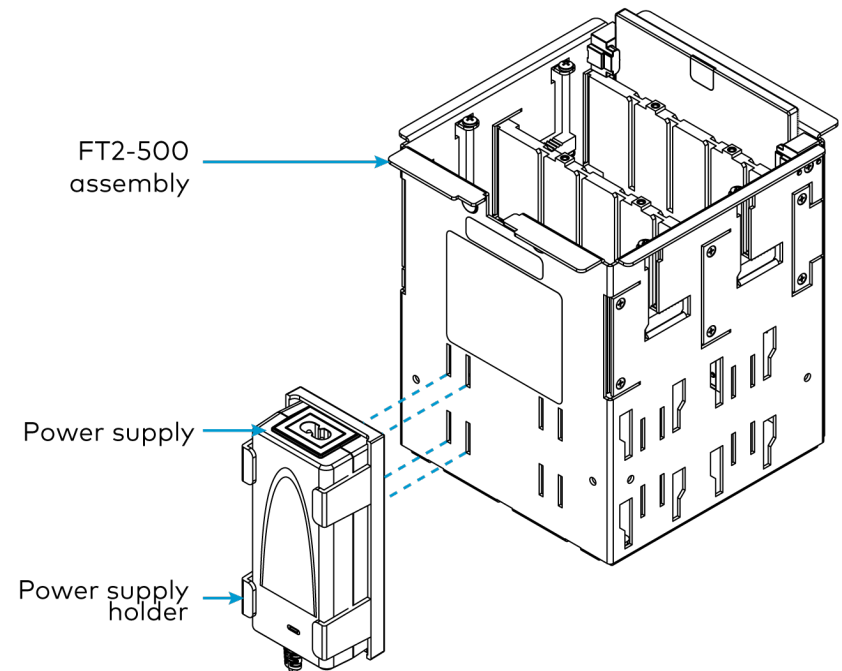
FlipTop™ FT2 Series Cable Management System, 500 Size, Electrical



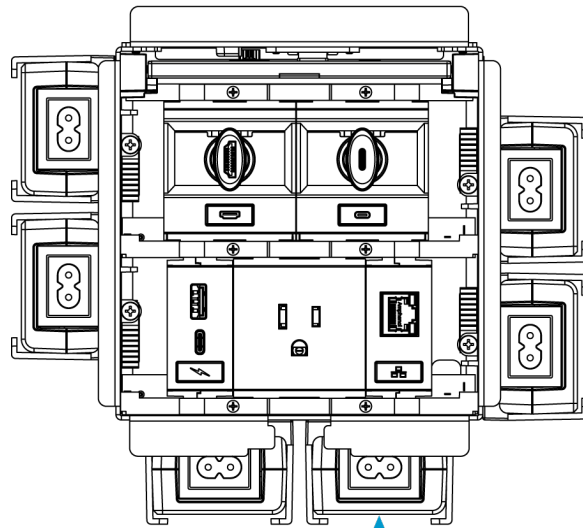
To connect the power supply to the power bus:

1. Underneath the FT2-500 assembly, connect the power supply to the bottom of the power bus.
 - If connecting one power supply, connect the power supply's power cord to the single connector end of the DC power splitter cable. Refer to step 1 in [Secure the FlipTop Assembly](#).
 - If connecting two power supplies, connect each power supply's power cord to a barrel jack in the power bus.
2. Use the two included tie wraps to dress the power cord.
3. Slide the power supply into the power supply holder until it is secured in place.

4. Align the four keyed tabs on the power supply holder with four keyed slots on the FT2-500 assembly. Then, push the power supply holder up and into the slots so that the keyed tabs engage the wide end of the slots.



FlipTop™ FT2 Series Cable Management System, 500 Size, Electrical



Power supply
mounting locations (6)

5. Slide the holder downward until it is secured to the FT2-500 assembly.
6. Connect the included 5 ft 10 in. (1.78 m) power cord to the power jack on top of the power supply.
7. Connect the other end of the power supply to a power source only after all other modules have been installed and all connections have been made to the FlipTop assembly.



Install the Modules

All modules are sold separately and not included with the FT2-500-ELEC FlipTop. Installation procedures for most modules are available in separate product documentation. For more information, refer to the specific product manual located at www.crestron.com/manuals. The following sections provide best practices and installation procedures for pass-through cable modules and blank plate modules.

Position the Modules

Follow the best practices below when performing module installation.

- Perform module installation in the following order:
 1. AC Power Outlet Modules ([FT2A-PWR-US](#) series)
 2. Retractor modules ([FT2A-CBLR-1T](#) series and [FT2A-CBLR-GR](#) series)
 3. All other modules ([FT2A-CP](#) series, [FT2A-CHGR](#) series, [FT2A-PLT-PT](#), and [FT2A-PLT-BLANK](#))
- Place the FT2A-CBLR-GR modules only at the ends of a module row.
- Dress all cables after installing each module.

Pass-Through Cable Module

The FT2A-PLT-PT pass-through modules (sold separately) enable FT2-CBL-PT pass-through cables (sold separately) and other types of interface cables to be installed within the FT2-500 assembly. Each FT2A-PLT-PT cable module is packaged with a nylon grommet and a cable plate. An empty module slot in the FT2-500 assembly and an FT2-CBL-PT series or other interface cable are required for installation.

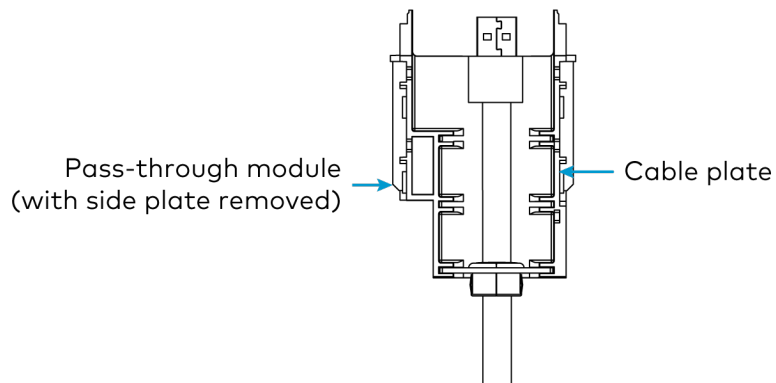
FlipTop™ FT2 Series Cable Management System, 500 Size, Electrical

Installing the Pass-Through Cable Module with 4K Cables

1. Push the connector end of the cable through the hole in the cable plate.
2. Insert the cable plate into one of the three slots in the pass-through module. Choose the appropriate slot based on the length of the cable connector. The top of the connector should sit flush with the top of the module.

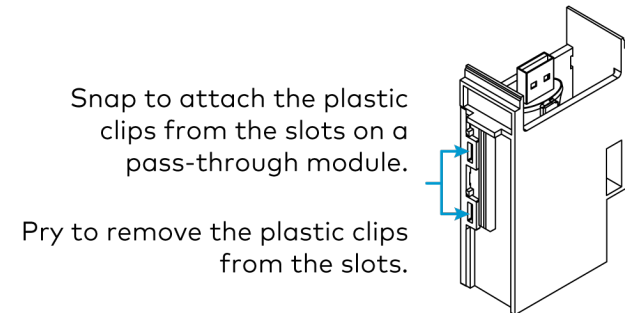
NOTES:

- If the connector extends past the top of the pass-through module, the FT2-500 assembly lid cannot close.
- Ensure that the cable moves freely in the module prior to attaching the side plate. The plate is difficult to remove once it is attached.
- The grommet is not needed when installing most 4K cables. If the cable is 10 mm or thinner, the grommet may be used.



3. Attach the side plate to the module by snapping the plastic clips on the plate into the two slots on the module.

NOTE: If the side plate must be removed, use a small, flat object (such as a flat-head screwdriver) to carefully pry the plastic clips on the side plate off of the module near the two slots.



4. Feed the other end of the cable through an empty module slot in the FT2-500 assembly.
5. Slide the pass-through cable module into the same module slot as mentioned in the previous step. Use the guide ribs on the front and rear of each module to help position the module in the FT2-500 assembly.

Installing the Pass-Through Cable Module with Non-4K Cables

The grommet is recommended to use with cables that are 10 mm or thinner.

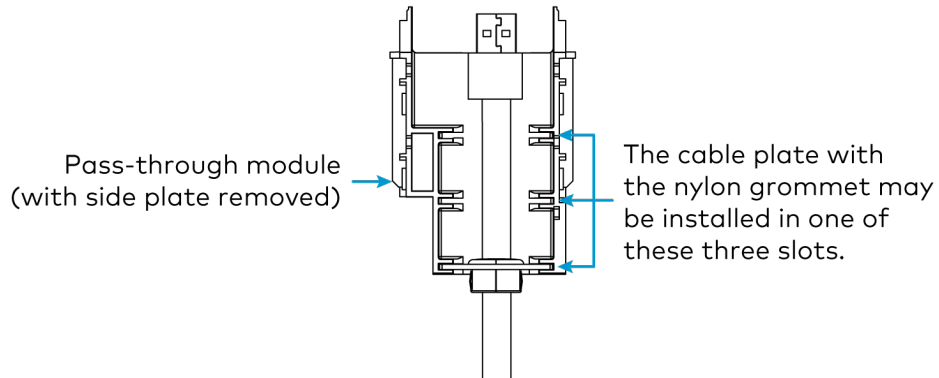
1. Open the grommet.
2. Insert a cable into the grommet with the connector facing up toward the end user.
3. Press the grommet back together to secure the cable inside.
4. Push the grommet and cable through the hole in the cable plate.

FlipTop™ FT2 Series Cable Management System, 500 Size, Electrical

5. Insert the cable plate into one of the three slots in the pass-through module. Choose the appropriate slot based on the length of the cable connector. The top of the connector should sit flush with the top of the module.

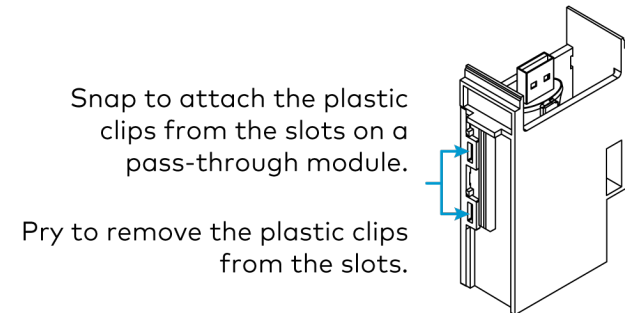
NOTES:

- If the connector extends past the top of the pass-through module, the FT2-500 assembly lid cannot close.
- Ensure that the cable moves freely in the module prior to attaching the side plate. The plate is difficult to remove once it is attached.



6. Attach the side plate to the module by snapping the plastic clips on the plate into the two slots on the module.

NOTE: If the side plate must be removed, use a small, flat object (such as a flat-head screwdriver) to carefully pry the plastic clips on the side plate off of the module near the two slots.

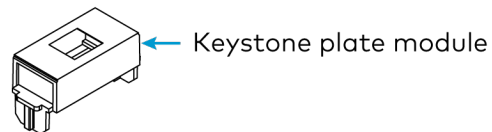


7. Feed the other end of the cable through an empty module slot in the FT2-500 assembly.
8. Slide the pass-through cable module into the same module slot as mentioned in the previous step. Use the guide ribs on the front and rear of each module to help position the module in the FT2-500 assembly.

FlipTop™ FT2 Series Cable Management System, 500 Size, Electrical

Install the Blank and Keystone Plate Module

Blank plate modules (sold separately) fill empty slots in module rows, and keystone plate modules (sold separately) allow for cables terminated with standard keystone jacks to be installed in the FT2-500 assembly. The blank and keystone modules each require one empty module slot for installation.



To install a blank or keystone plate module into the FT2-500 assembly:

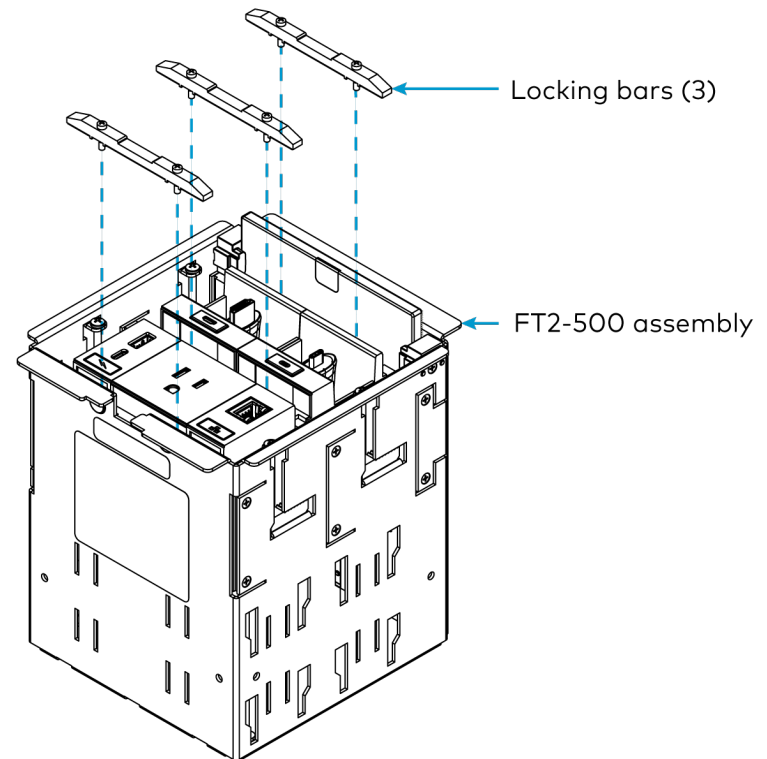
- Slide the blank plate module down into the appropriate module slot. Use the guide ribs on the front and rear of each module to help position it in the FT2-500 assembly.
- For the keystone plate module, complete the following steps.
 1. Snap the cable's keystone jack into the keystone opening in the keystone plate module.
 2. Feed the cable down through the empty module slot.
 3. Slide the attached keystone plate module down into the same module slot using the front and rear guide ribs to assist with positioning.



Install the Locking Bars

1. Position the locking bars so that the screws attached to the locking bars engage the screw holes in the FT2-500 assembly.
2. Using a manual torque screwdriver set to its lowest possible setting, hand tighten the locking bar screws until the locking bars are secured to the FT2-500 assembly.

CAUTION: Do not overtighten the locking bar screws.

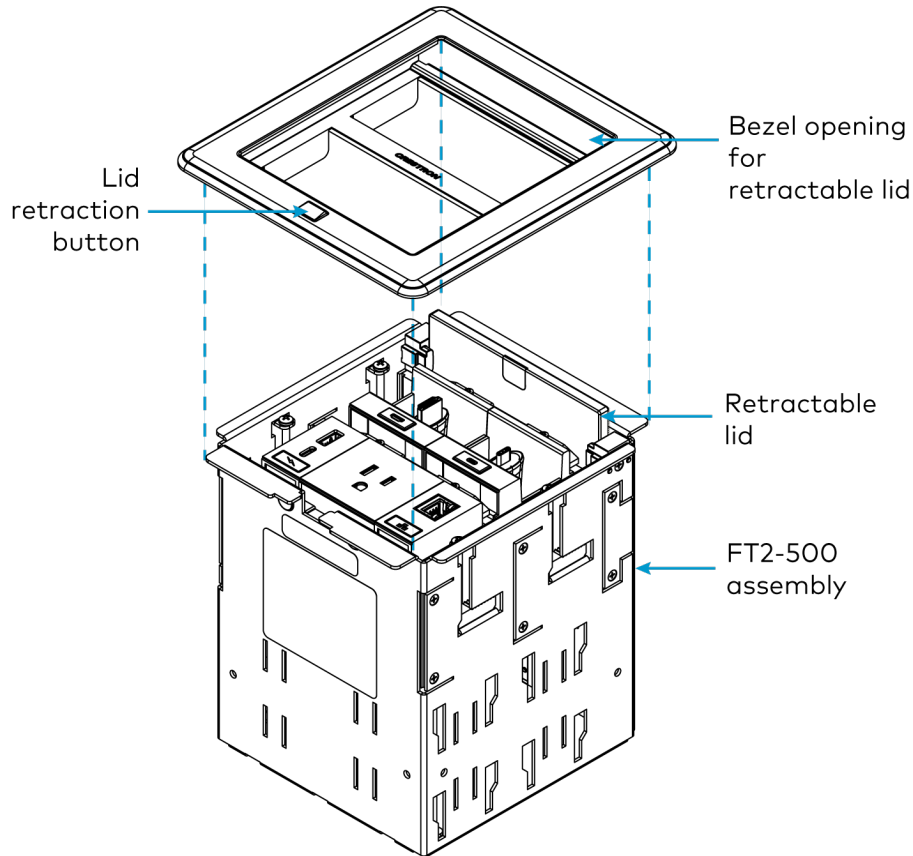


FlipTop™ FT2 Series Cable Management System, 500 Size, Electrical



Install the Bezel

Place the bezel onto the FT2-500 assembly so that the retractable lid fits inside the bezel opening. The bezel is held in place using magnets.



Operate the FlipTop Assembly

To operate the FT2-500 assembly:

1. Tap the lid retraction button to retract the one-touch lid. The lid disappears into the assembly.
2. Access the modules in the FT2-500 assembly.
3. Close the lid by lifting it vertically and returning it over the FlipTop assembly.

FlipTop™ FT2 Series Cable Management System, 500 Size, Electrical



Visit the Product Page

Scan the QR code to visit the product page.

FT2-500-ELEC



www.crestron.com/model/6509652

Additional Information

Original Instructions

The U.S. English version of this document is the original instructions. All other languages are a translation of the original instructions.

Regulatory Models: FT2-500-ELEC-AL, FT2-500-ELEC-B

Crestron product development software is licensed to Crestron dealers and Crestron Service Providers (CSPs) under a limited nonexclusive, nontransferable Software Development Tools License Agreement. Crestron product operating system software is licensed to Crestron dealers, CSPs, and end-users under a separate End-User License Agreement. Both of these Agreements can be found on the Crestron website at www.crestron.com/legal/software_license_agreement.

The product warranty can be found at www.crestron.com/warranty.

The specific patents that cover Crestron products are listed at www.crestron.com/legal/patents.

Certain Crestron products contain open source software. For specific information, visit www.crestron.com/opensource.

Crestron, the Crestron logo, Cresnet, and FlipTop are either trademarks or registered trademarks of Crestron Electronics, Inc. in the United States and/or other countries. Other trademarks, registered trademarks, and trade names may be used in this document to refer to either the entities claiming the marks and names or their products. Crestron disclaims any proprietary interest in the marks and names of others. Crestron is not responsible for errors in typography or photography.

©2020 Crestron Electronics, Inc.

Doc. 8405C

09/09/20