

Crestron Flex R-Series Mobile UC Systems

The Crestron Flex R-Series mobile UC system packages Crestron® unified communications components with a wheeled cart for convenient collaboration.

This document describes the installation and configuration of the following R-Series mobile UC systems:

- UC-FCB-T: Crestron Flex R-Series Mobile UC System for Microsoft Teams® Rooms
- UC-FCB-Z: Crestron Flex R-Series Mobile UC System for Zoom Rooms™ Software



In the Box

- 1 UC-FCB, Crestron Flex R-Series Mobile UC System

Additional Items

- 1 Wheeled Cart (2056409)
- 1 Power extension cord, 6 ft (1.8 m) (2055992)
- 1 Soundbar Mounting Bracket and Mounting Bracket Arms (2055990)
- 1 TS-1070-B-S, 10.1 in. Touch Screen, Black (6510821)
- 1 UC-SB1-CAM-FLEX, UC Video Conference Smart Soundbar (6511283)
- 1 CBL-CAT5E-7, CAT5e cable, RJ-45-to-RJ-45, Black, 7 ft (2.1 m) (6509924)
- 1 Cable, CAT5e, RJ-45 Male - RJ-45 Male, 12 ft (3.6 m) (2033988)
- 1 CBL-HD-20, HDMI® cable, 20 ft (6.1 m) (6503567)
- 1 CBL-USBC-HD-9, USB-C® to HDMI cable, 9 ft (2.7 m) (6510718)

- 1 CEN-SW-POE-5, 5-Port PoE Switch (6506450)
- 1 PWE-4803RU, Power Supply (6502429)

UC-FCB-T Only

- 1 UC-BRKT-200-S-T-ASSY, UC Engine Bracket Assembly (6511478)

UC-FCB-Z Only

- 1 UC-BRKT-200-S-Z-ASSY, UC Engine Bracket Assembly (6511479)

NOTE: For a list of items included with each component device, refer to each device's Quick Start at crestron.com/manuals.

Crestron Flex R-Series Mobile UC Systems



Assemble Mounting Components

In R-Series mobile UC systems, some component mounting is required. A device mounting shelf for the included touch screen device is premounted to the front of the cart. A UC bracket assembly, PoE switch, power supply, power strip, retractable power cable, and retractable Ethernet cable are premounted to the cart's interior for convenience.

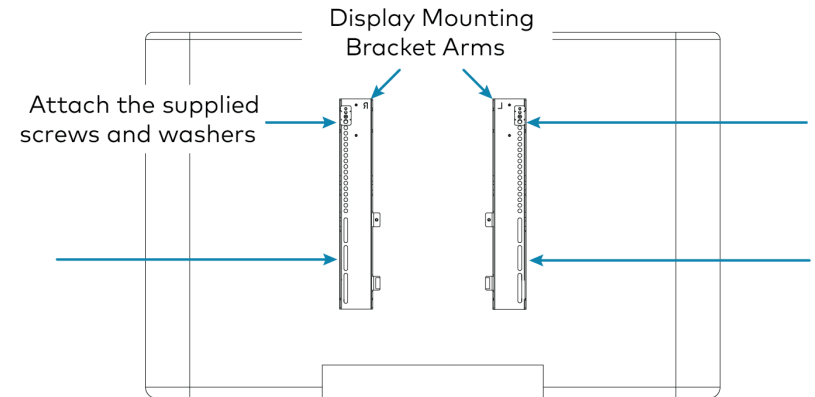
Prior to mounting the display (not included) to the cart, the display mounting bracket arms must be attached to the display.

To attach the display mounting bracket arms:

1. Set the display on a flat surface with the screen side down. Ensure that the surface is protected so that the screen is not damaged.
2. Align the mounting holes on the left and right edges of the display mounting bracket arms over the mounting holes on the rear of the display.

3. Follow the display manufacturer's instructions to attach the display to the display mounting bracket arms using the supplied screws and washers.

NOTE: Screw placement may differ from the following image based on the location of the display's mounting holes.

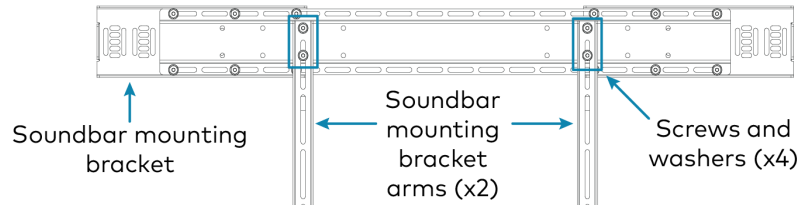


Crestron Flex R-Series Mobile UC Systems

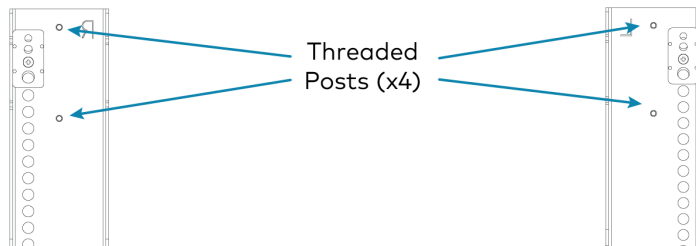
Attach the Soundbar

To mount the soundbar:

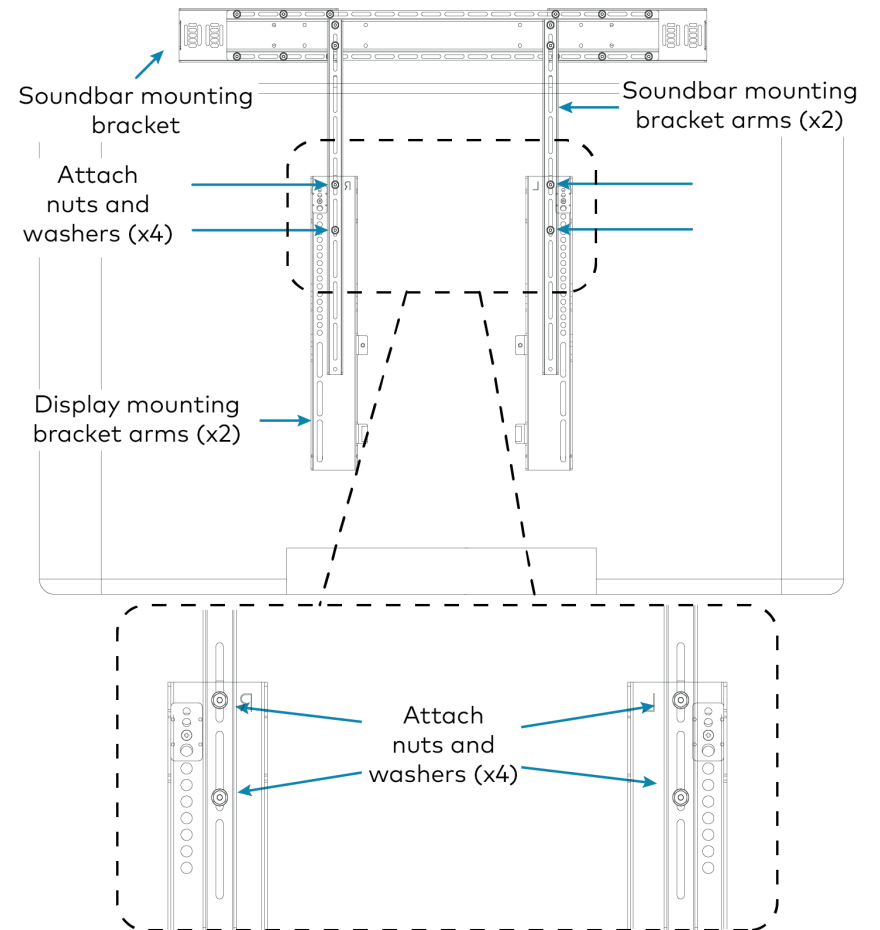
1. Attach the soundbar bracket arms to the soundbar mounting bracket with the supplied screws and washers. The soundbar mounting bracket is preattached to the soundbar.



2. Remove the nuts and washers from the threaded posts on the back of the display mounting bracket.



3. Attach the soundbar bracket arms to the threaded posts on the display mounting bracket arms with the nuts and washers removed in step 2.



Crestron Flex R-Series Mobile UC Systems



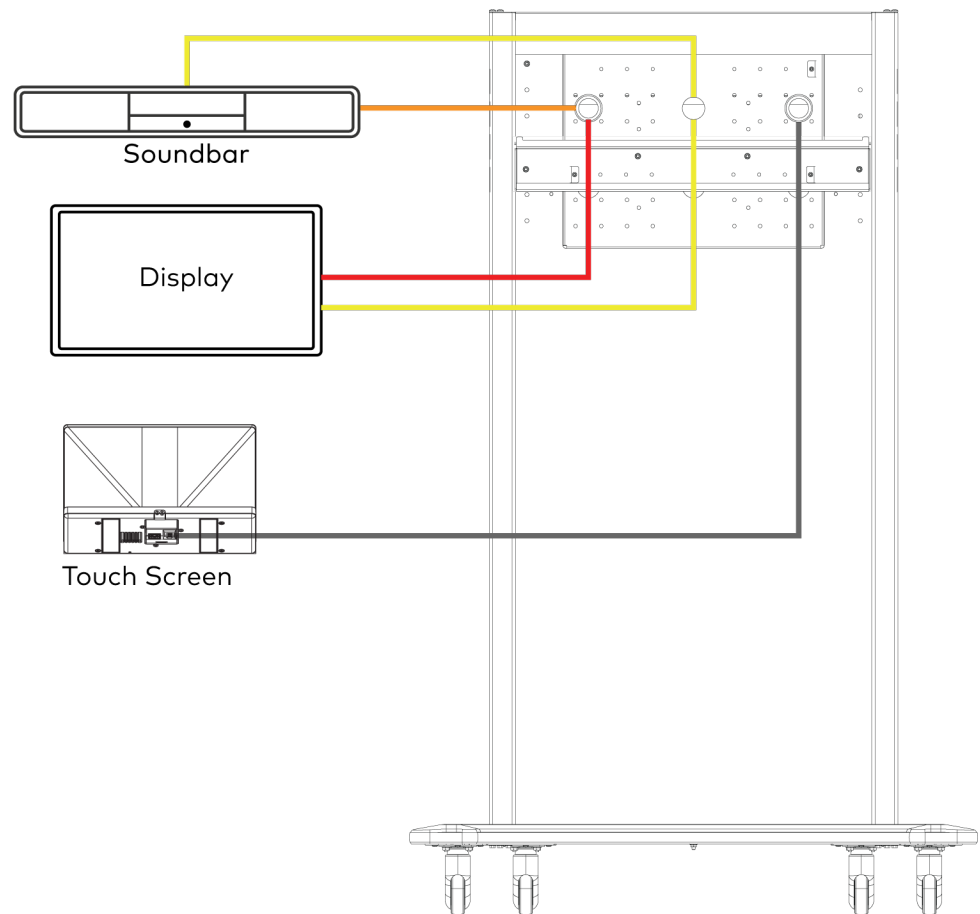
Make Connections

To connect the system components:

1. Connect system components to the preinstalled cables. Connect the display power cord to the power strip inside of the bottom rear of the cart.

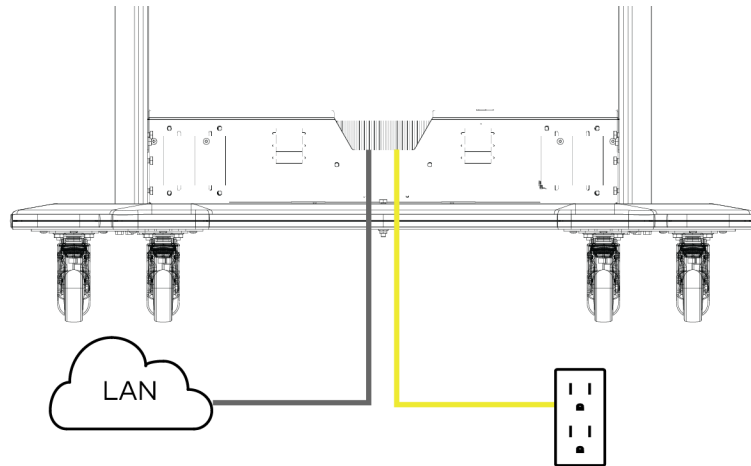
NOTE: If the display's power cord does not reach the integrated power strip, use the included 6 ft extension cord.

- **HDMI**
9 ft USB-C® to HDMI® cable
(preinstalled, CBL-USBC-HD-9)
- **USB**
Soundbar
(cable preinstalled, UC-SB1-CAM-FLEX)
- **CAT5e**
7 ft CAT5e cable
(preinstalled, CBL-CAT5E-7)
- **Power**
Display power cord (not included)
Soundbar power cord (preinstalled)



Crestron Flex R-Series Mobile UC Systems

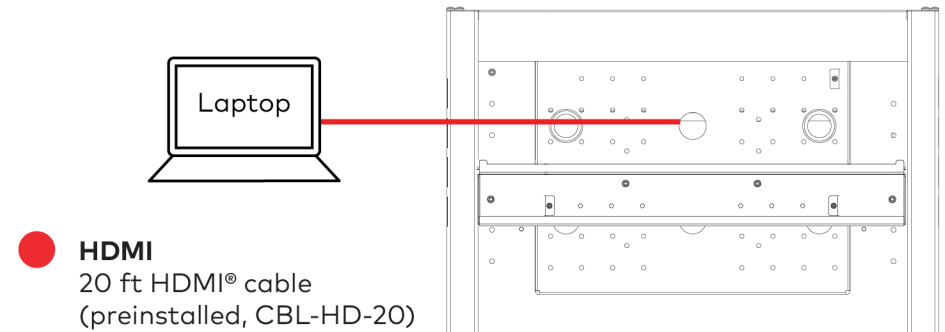
2. Make LAN and power connections from the bottom rear of the cart as shown below using the integrated retractable cables.



● **CAT5e**
Integrated retractable cable

● **Power**
Integrated retractable cable

3. Make device presentation connections as shown in the following diagram. A 20 ft HDMI cable (CBL-HD-20) is preattached to the UC Engine assembly and coiled inside of the cart. Route the cable through one of the grommets as shown below for presentation from a laptop.



● **HDMI**
20 ft HDMI® cable
(preinstalled, CBL-HD-20)



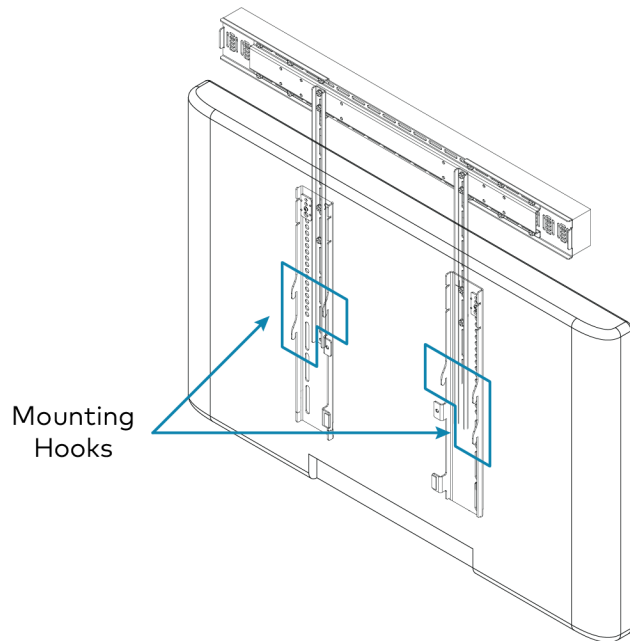
Complete the Installation

Mount the Display

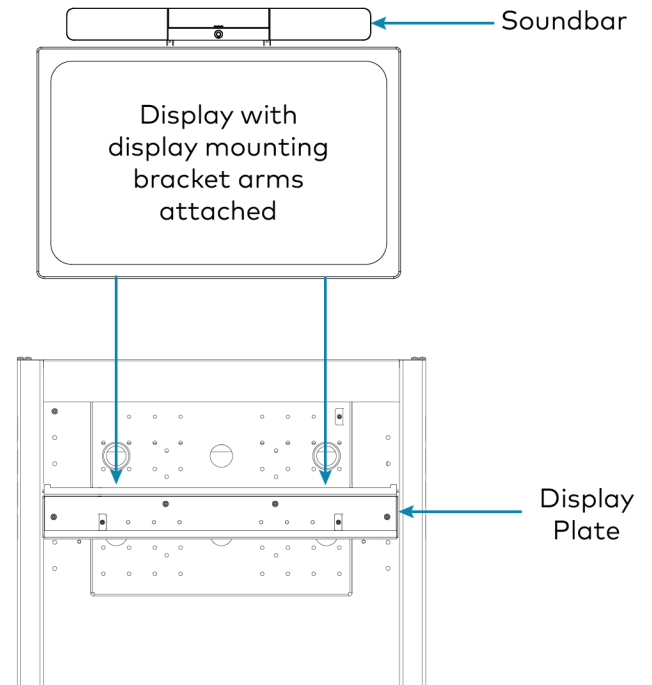
CAUTION: For safety, Crestron recommends that no fewer than two people mount the display.

Mount the display mounting bracket arms with the attached display by sliding the mounting hooks over the display plate. Ensure that the display mounting bracket arms and the display are secure before stepping away from the cart.

Mounting Hooks



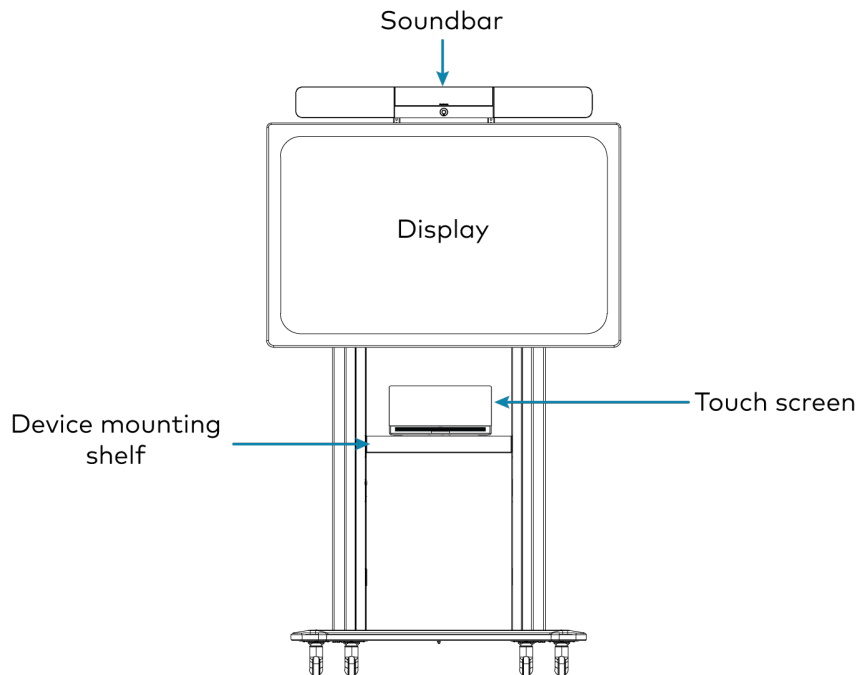
Slide the mounting hooks over the display plate



Crestron Flex R-Series Mobile UC Systems

Completed Installation

Once complete, the installation will appear as shown below.



Configuration

Microsoft Teams Devices

To configure the R-Series mobile UC system that utilizes Microsoft Teams software (UC-FCB-T), refer to the instructions below.

Apply Power

Press the power button on the bottom of the UC Engine (attached to the UC bracket assembly) and apply power to all of the other devices in the system.

Configure the Touch Screen

To configure the touch screen:

1. Tap **Touch Here to Enable a Specific Application** on the bottom of the touch screen. A list of applications is displayed.
2. Tap **Teams Video**, and then tap **Confirm**. The touch screen will reboot.
3. On a computer, open a web browser to the IP address of the touch screen. Log in and navigate to **Settings > Applications**.

NOTES:

- The touch screen's IP address is displayed the first time the device is powered on. The IP address can also be found by using the device discovery tool in Crestron Toolbox™ software, through the device's setup screens, or via the XiO Cloud® service.
- The touch screen and computer must be on the same network switch and VLAN.
- A login with administrative rights for the touch screen is required.

Crestron Flex R-Series Mobile UC Systems

4. Enter the following information in the appropriate fields:
 - **Teams Video PC Address:** Enter the IP address or hostname of the UC Engine.

NOTES:

- The UC Engine's IP address can be found using the device discovery tool in Crestron Toolbox™ software.
 - The hostname is printed on a label affixed to the UC Engine (mounted on the bracket assembly). To view the label, open the cart's rear door and locate the UC Engine preattached near the top of the cart's interior.
- **Teams Video PC Port:** By default, port number 49500 is used. If a different port number has been configured on the UC Engine, enter that port number instead.
 - **Teams Video Username:** Enter the login username for the UC Engine. (The default username is "admin".)
 - **Teams Video Password:** Enter the login password for the UC Engine. (The default password is "sfb".)
5. Click **Save Changes**.

For more information, refer to the [TS-770 and TS-1070 Product Manual](#) (Doc. 8555).

Configure the System

Use the touch screen and your Microsoft Teams or Skype® account credentials to configure the UC Engine. Refer to the [Crestron Flex UC Video Conference Systems Supplemental Guide](#) (Doc. 8360).

Zoom Rooms Devices

To configure the R-Series mobile UC system that utilizes Zoom Rooms software (UC-FCB-Z), refer to the instructions below.

Apply Power

Press the power button on the bottom of the UC Engine (attached to the UC bracket assembly) and apply power to all of the other devices in the system. The connected display device will show a pairing code.

Log In to the Zoom Rooms Service

Use the touch screen device to sign in to the Zoom Rooms service using an activation code or a Zoom Rooms Sign-In.

1. Tap **Touch Here to Enable a Specific Application** on the bottom of the screen. A list of applications is displayed.
2. Tap **Zoom Rooms** and then tap **Confirm**. The touch screen will reboot.
3. Enter the pairing code shown on the mounted display to pair the touch screen with the UC Engine. The Zoom Rooms controller app is displayed.
4. Log in to the Zoom Rooms service with an activation code or Zoom Rooms Credentials (email and password).
 - **Activation Code:**
 - a. Tap **Enter Activation Code**.
 - b. Enter the 16-digit activation code provided by the administrator to activate the Zoom Room that is assigned to the activation code. The Zoom Rooms Conference Room screen is shown on the mounted display.

Crestron Flex R-Series Mobile UC Systems

- **Sign In:**
 - a. Tap **Sign In**.
 - b. Enter the Zoom Room credentials and tap **Sign In**.
 - c. Select the conference room name from the list and tap **Next**. The Zoom Rooms Conference Room screen is shown on the display.
- 5. Tap **Settings**. If a password is required, enter the password (default is **0000**). The **Settings** screen is displayed.
- 6. Tap **Microphone** and select the soundbar USB audio device as the source.
- 7. Tap **Speaker** and select the soundbar USB audio device as the source.
- 8. Tap **Meet Now** to exit.

Configure the System

Connect a USB keyboard and mouse (not included) to a USB port on the UC Engine to configure system features. Refer to the [Crestron Flex UC Video Conference Systems Supplemental Guide](#) (Doc. 8360).



Visit the Product Page

Scan the QR code to visit the product page.

UC-FCB-T



www.crestron.com/model/6511536

UC-FCB-Z



www.crestron.com/model/6511537

Crestron Flex R-Series Mobile UC Systems

Additional Information

Original Instructions

The U.S. English version of this document is the original instructions. All other languages are a translation of the original instructions.

Crestron product development software is licensed to Crestron dealers and Crestron Service Providers (CSPs) under a limited nonexclusive, nontransferable Software Development Tools License Agreement. Crestron product operating system software is licensed to Crestron dealers, CSPs, and end-users under a separate End-User License Agreement. Both of these Agreements can be found on the Crestron website at www.crestron.com/legal/software_license_agreement.

The product warranty can be found at www.crestron.com/warranty.

The specific patents that cover Crestron products are listed at www.crestron.com/legal/patents.

Certain Crestron products contain open source software. For specific information, visit www.crestron.com/opensource.

Crestron and the Crestron logo are either trademarks or registered trademarks of Crestron Electronics, Inc. in the United States and/or other countries. HDMI is either a trademark or registered trademark of HDMI Licensing LLC in the United States and/or other countries. Microsoft Teams and Skype are either trademarks or registered trademarks of Microsoft Corporation in the United States and/or other countries. USB-C is either a trademark or registered trademark of USB Implementers Forum, Inc. in the United States and/or other countries. Zoom Rooms is either a trademark or registered trademark of Zoom Video Communications, Inc. in the United States and/or other countries. Other trademarks, registered trademarks, and trade names may be used in this document to refer to either the entities claiming the marks and names or their products. Crestron disclaims any proprietary interest in the marks and names of others. Crestron is not responsible for errors in typography or photography.

©2021 Crestron Electronics, Inc.

Doc. 8779B

09/26/21