

DM-TX-401-S/DM-TX-401-S2 DigitalMedia 8G™ Fiber Transmitter 401

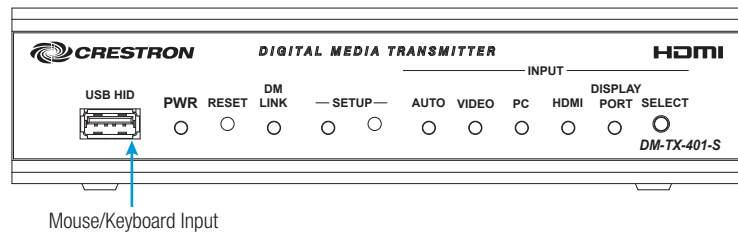
DO Install the Device

The DM-TX-401-S and DM-TX-401-S2 can be placed on a flat surface, mounted into a rack, or attached to the underside of a table. If rack mounting is desired, use the ST-RMK Rack Mount Kit (sold separately). If under-table mounting is desired, use the UTK-1U-HALF Under-Table Mounting Kit (sold separately).

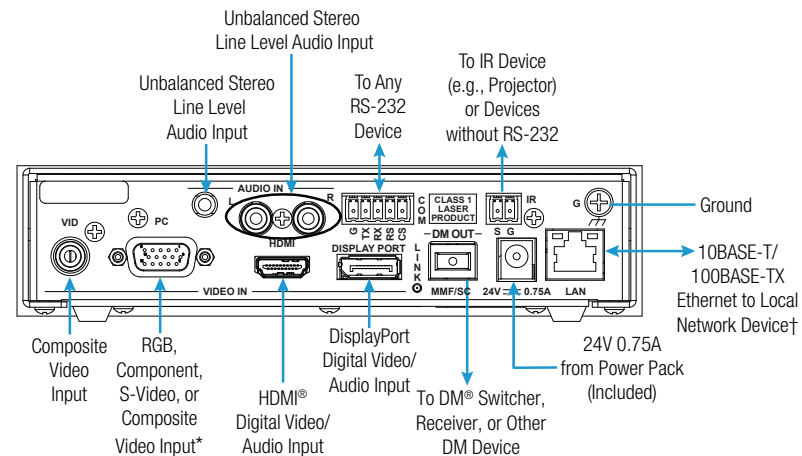
DO Connect the Device

Connect the device as appropriate for the installation (refer to illustrations ❶ through ❸).

❶ DM-TX-401-S and DM-TX-401-S2 Front Panel Connections (DM-TX-401-S Shown)



❷ DM-TX-401-S Rear Panel Connections



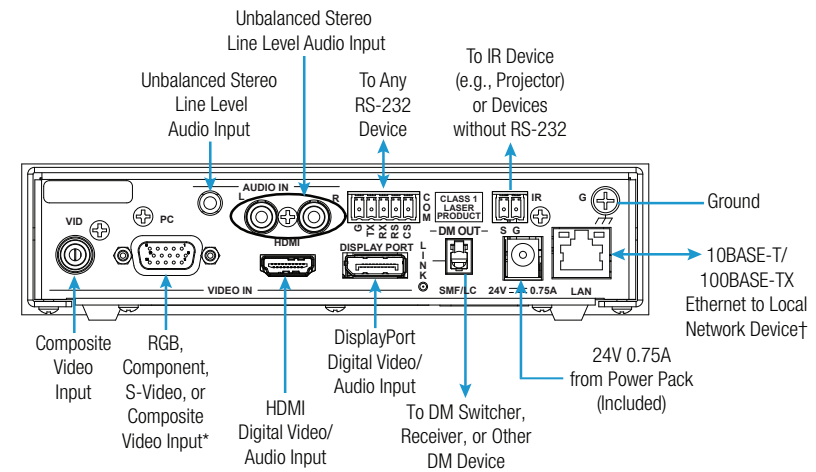
* Refer to illustration ❹ for PC connector pin assignments.
† Refer to illustration ❺ for LAN connector pin assignments.

DO Check the Box

QTY	PRODUCT	PART NUM.
1	Connector, 2-Pin	2003574
1	Connector, 5-Pin	2003577
1	Power Pack, 24 Vdc 0.75 A, 100-240 Vac	2045865

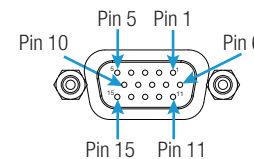
Not Included: Cables, Mounting Kits

❸ DM-TX-401-S2 Rear Panel Connections



* Refer to illustration ❹ for PC connector pin assignments.
† Refer to illustration ❺ for LAN connector pin assignments.

❹ PC Connector Pin Assignments

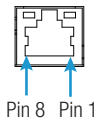


PIN NUM.	RGB	YPbPr	S-VIDEO	COMPOSITE
1	R	Pr	C	
2	G	Y	Y	
3	B	Pb		COMP
5	GND	GND	GND	GND
6	RED_GND	Pr_GND	C_GND	
7	GRN_GND	Y_GND	Y_GND	
8	BLU_GND	Pb_GND		
13	H			
14	V			

NOTE: For best video performance, ground connections should be kept separate. Do not connect ground wires to the connector shell. The connector shell is reserved for the cable shield.



5 LAN Connector Pin Assignments



PIN NUM.	SIGNAL	PIN NUM.	SIGNAL
1	TX+	5	N/C
2	TX-	6	RX-
3	RX+	7	N/C
4	N/C	8	N/C

DO Set the IP Address

The IP address of the transmitter depends on the way the transmitter is configured within the DigitalMedia 8G™ system:

- If the transmitter connects to a DigitalMedia™ switcher, the transmitter is configured by the switcher automatically.
- If the transmitter connects to a receiver/room controller, the transmitter uses its own configuration settings. By default, DHCP (Dynamic Host Configuration Protocol) is enabled. If assignment of the default IP address to the transmitter is desired, hold down the **SETUP** button while the unit boots up. The default IP address overwrites the current setting. The default IP address of the DM-TX-401-S and DM-TX-401-S2 is 192.168.1.238. To manually set a different IP address, use the Crestron Toolbox™ application.

DO Select Inputs

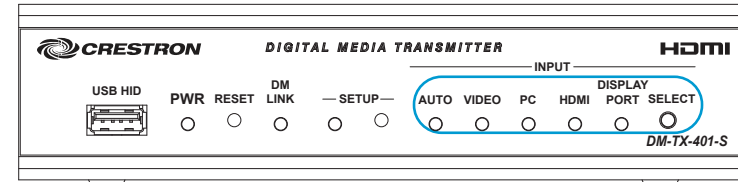
By default, automatic switching of inputs is enabled. Automatic switching causes inputs to switch according to the following priorities:

- Video switching priority: DisplayPort, HDMI, RGB, composite
- Audio switching priority: DisplayPort, HDMI, 1/8" analog, dual RCA analog

The AUTO LED on the front panel of the device lights to indicate that automatic switching is enabled.

To manually select the desired audio/video input, press the **SELECT** button on the front panel of the transmitter until the corresponding LED lights.

6 Front Panel (DM-TX-401-S Shown)



Pressing the **SELECT** button in succession cycles from automatic switching (default selection) through the various available selections in the following order:

- DisplayPort audio and video. The DISPLAY PORT LED lights.
- HDMI audio and video. The HDMI LED lights.
- VGA video with 1/8" audio. The PC LED lights.
- Composite video with dual RCA audio. The VIDEO LED lights.
- None. No input is selected.

After cycling through the above selections, pressing the SELECT button returns to automatic switching.

DO Learn More

Visit the website for additional information and the latest firmware updates. To learn more about this product, use a QR reader application on your mobile device to scan the QR images.

Crestron Electronics

15 Volvo Drive, Rockleigh, NJ 07647
888.CRESTRON | www.crestron.com

DM-TX-401-S



DM-TX-401-S2



As of the date of manufacture, these products have been tested and found to comply with specifications for CE marking.

This product is Listed to applicable UL Standards and requirements by Underwriters Laboratories Inc.

Federal Communications Commission (FCC) Compliance Statement

This device complies with part 15 of the FCC Rules. Operation is subject to the following two conditions:

(1) This device may not cause harmful interference, and (2) this device must accept any interference received, including interference that may cause undesired operation.

CAUTION: Changes or modifications not expressly approved by the manufacturer responsible for compliance could void the user's authority to operate the equipment.

NOTE: This equipment has been tested and found to comply with the limits for a Class B digital device, pursuant to part 15 of the FCC Rules. These limits are designed to provide reasonable protection against harmful interference in a residential installation. This equipment generates, uses and can radiate radio frequency energy and, if not installed and used in accordance with the instructions, may cause harmful interference to radio communications. However, there is no guarantee that interference will not occur in a particular installation.

If this equipment does cause harmful interference to radio or television reception, which can be determined by turning the equipment off and on, the user is encouraged to try to correct the interference by one or more of the following measures:

- Reorient or relocate the receiving antenna.
- Increase the separation between the equipment and receiver.

- Connect the equipment into an outlet on a circuit different from that to which the receiver is connected.
- Consult the dealer or an experienced radio/TV technician for help.

Industry Canada (IC) Compliance Statement

CAN ICES-3(B)/NMB-3(B)



The products are class 1 laser products. They comply with safety regulations of IEC-60825-1, FDA 21 CFR 1040.11 and FDA 21 CFR 1040.10.

Warning: Visible and invisible laser radiation when open. Avoid direct exposure to beam.

Note: Plug the included dust cap into the optical transceiver when the fiber optic cable is unplugged.

The specific patents that cover Crestron products are listed at <http://www.crestron.com/legal/patents>.

The product warranty can be found at www.crestron.com/warranty.

Certain Crestron products contain open source software. For specific information, please visit www.crestron.com/opensource.

Crestron, the Crestron logo, Crestron Toolbox, DigitalMedia, DigitalMedia 8G, and DM are either trademarks or registered trademarks of Crestron Electronics, Inc. in the United States and/or other countries. HDMI, the HDMI logo, and High Definition Multimedia Interface are either trademarks or registered trademarks of HDMI Licensing LLC in the United States and/or other countries. UL and the UL logo are either trademarks or registered trademarks of Underwriters Laboratories, Inc. in the United States and/or other countries. Other trademarks, registered trademarks, and trade names may be used in this document to refer to either the entities claiming the marks and names of their products. Crestron disclaims any proprietary interest in the marks and names of others. Crestron is not responsible for errors in typography or photography.

This document was written by the Technical Publications department at Crestron.

©2016 Crestron Electronics, Inc.