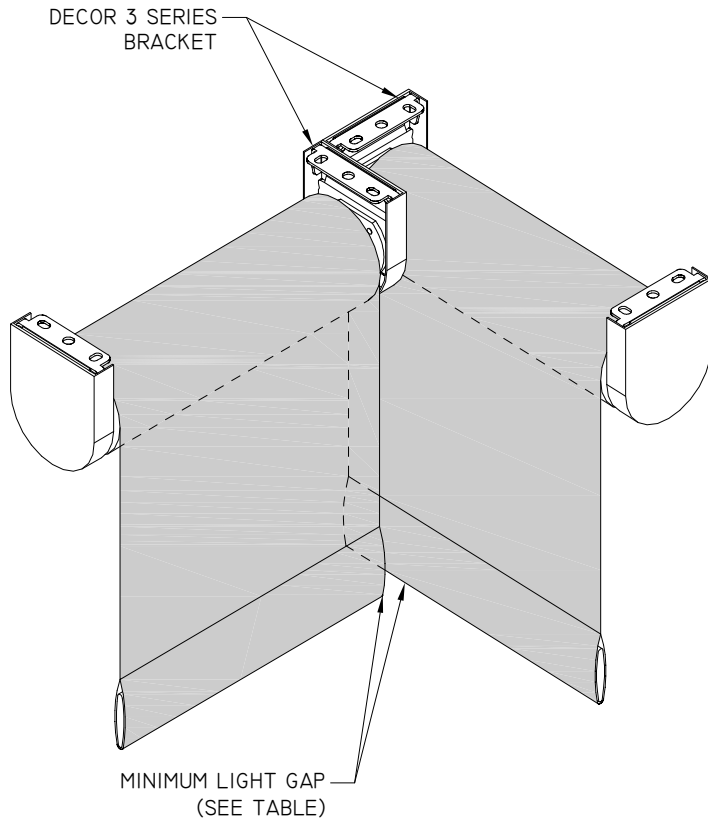


MINIIMUM LIGHT GAP		
QMT 3	1.63" Smooth	1 9/16" [40mm]



DECOR 3 SERIES BRACKET (CEILING MOUNT)
 CORNER CONDITION
 BUTT AND PASS REVERSE ROLL

CRESTRON
 15 Volvo Drive
 Rockleigh NJ 07647
 Tel: 888-273-7876
 www.crestron.com

DWG. # MD3-201
 SCALE: 3" = 1'-0"
 DATE: 9.29.2015
 REV.: